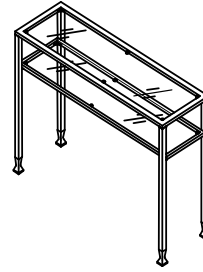


Style No.

METAL SOFA TABLE



RELAX...if you can follow a few easy, step-by-step directions in order, YOU CAN ASSEMBLE THIS ITEM.

PARTS LIST

| | | | | | | | | | | | |
|---|---------------|---|----------------|---|---------------|---|-----------------|---|---------------|---|-----------------|
| 1 | | 2 | | 3 | | 4 | | 5 | | 6 | |
| | TOP FRAME 1PC | | RIGHT LEG 2PCS | | LEFT LEG 2PCS | | SHELF FRAME 1PC | | TOP GLASS 1PC | | GLASS SHELF 1PC |

HARDWARE LIST

| | | | | | | | | | |
|---|--------------------------|---|---------------------------|---|--------------------|---|------------------|---|---------------|
| A | | B | | C | | D | | E | |
| | Screw 1/4"x13mm 12PCS | | Lock Washer 1/4" 12PCS | | Glass pad 12PCS | | Foot pad 4PCS | | Wrench 1PC |

"We will ship parts if available" "This is not a warranty"

PARTS REPLACEMENT FORM

STYLE NO:

Customer Name

PARTS
LETTER

PARTS
DESCRIPTION

QUANTITY
NEEDED

Street, City, State, Zip

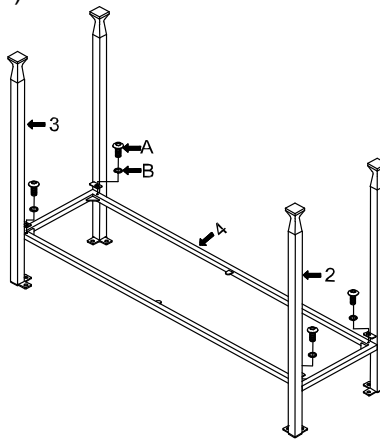
Phone#

Please indicate where you purchased this item.
Store/website/catalog

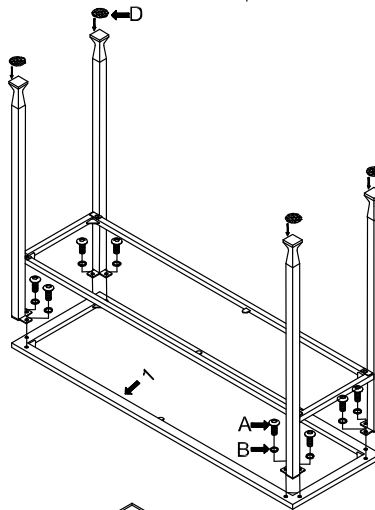
Please indicate color/ size/ style number.

*** DO not tighten screws & bolts until the entire unit is completely assembled.**

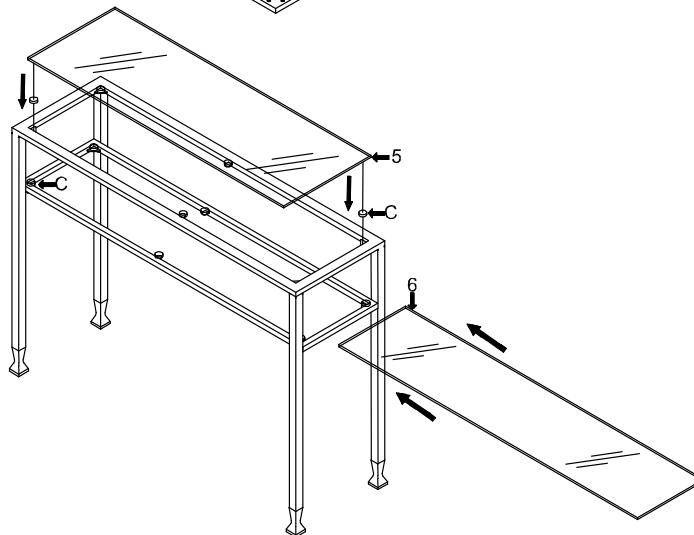
1. Using screw (A) & (B) to assemble shelf frame (4), right leg (2) and left leg (3) as shown.



2. Using screw (A) & (B) to assemble the top frame (1) and the legs as shown then add the foot pad (D) onto the end of leg.



3. Turn the unit upside down, put the glass pads (C) on the frame, then put on (5) top glass and insert (6) glass shelf as shown.



YOUR NEW METAL SOFA TABLES IS FINISHED AND READY TO USE.

THIS PRODUCT IS NOT INTENDED FOR COMMERCIAL USE