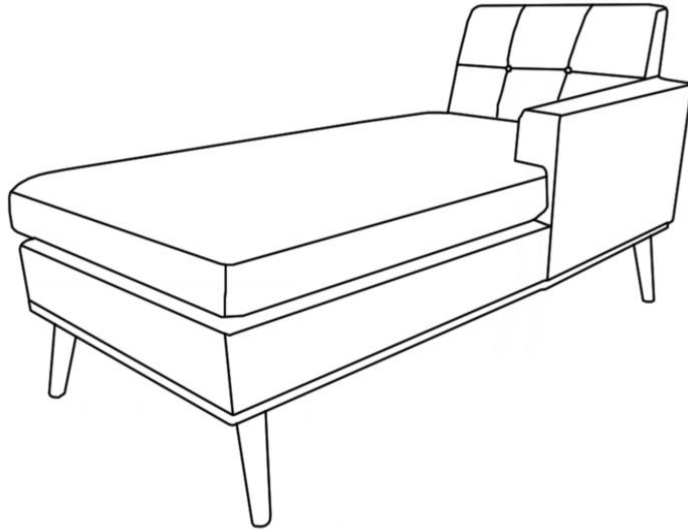


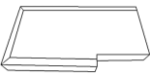

# Assembly Instructions






**Caution: You must read this before you proceed.**

## Chaise Lounge








### Parts List

Label	Picture	Description	QTY
A		Chaise Seat Frame	1
B		Chaise Back	1

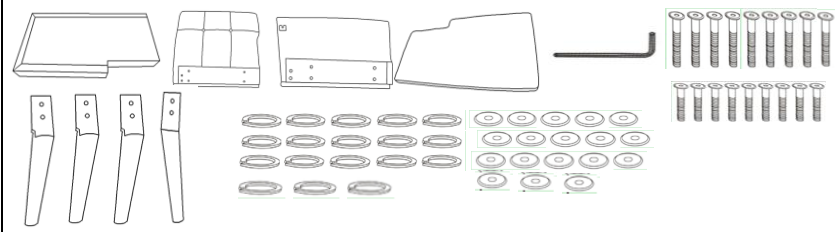
C		Right Arm	1
D		Chaise Seat Cushion	1
E		Leg (Labeled '1')	1
F		Leg (Labeled '2')	2
G		Leg (Labeled '3')	1

**Hardware**

Label	Picture	Description	QTY
①		Bolt (M8X60mm)	9
②		Bolt (M8X50mm)	9
③		Washer	18
④		Spring Washer	18
⑤		Allen Key	1

## Assembly Preparation

### Before Beginning Assembly:



- Read instructions, cover to cover-



- Have 2 adults on hand for assembly-



- Do not assemble on flooring or carpet-



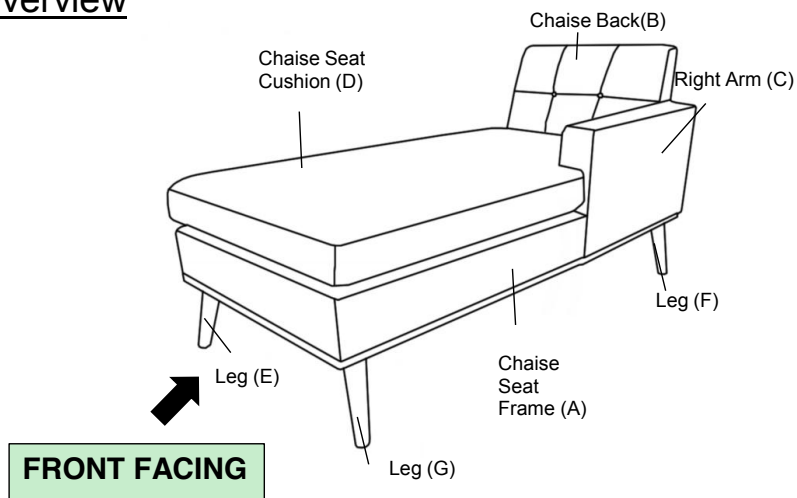
- Assemble on a clean non-marring surface (packing foam)-



- Save all packaging until finished-

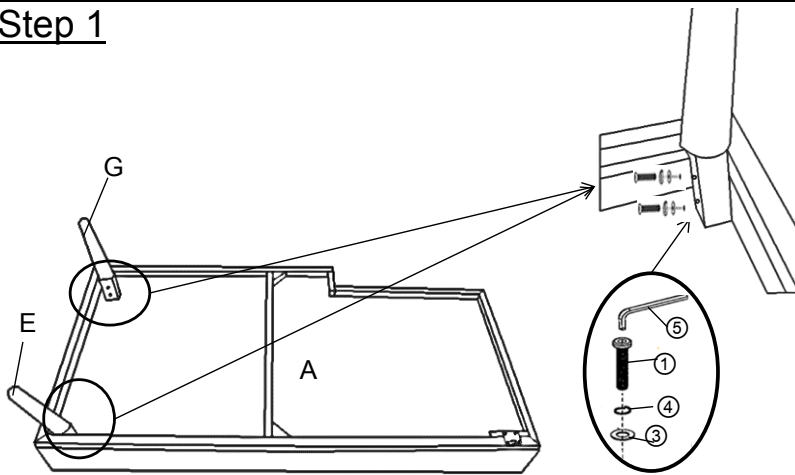
## Assembly Steps

### Overview



This Chaise Lounge has multiple parts and may require up to 30 minutes to assemble. To give you an overview of the Chaise Lounge parts, the above picture is to help you put the various parts into perspective. Please read through the instructions below to familiarise yourself with the parts and steps before assembly.

## Step 1



Place the Chaise Seat Frame(A) facedown, as shown in the picture.

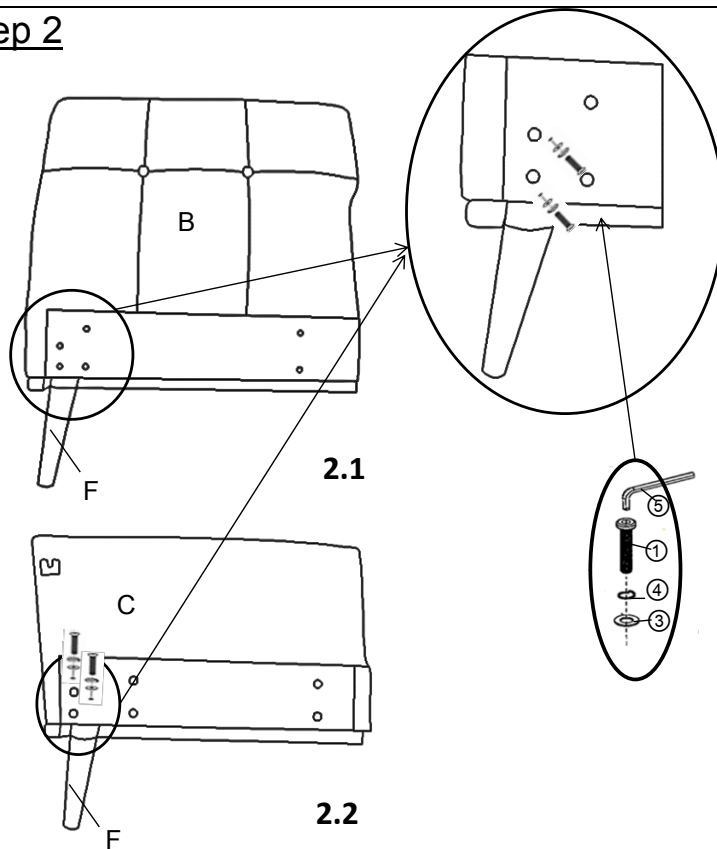
Insert Leg(E) into the Chaise Seat Frame(A) as shown.

Attach Leg(E) to Chaise Seat Frame(A) using Bolts(①), Spring Washers(④) and Washers(③) with Allen Key(⑤).

Repeat the same process to attach the Wooden Legs(G).

**Tighten the Bolts fully in a sequential manner.**

## Step 2

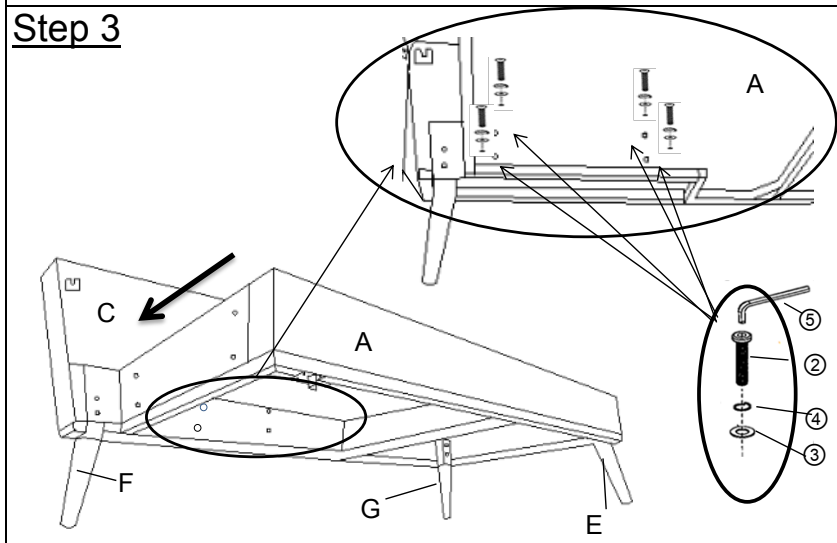


**2.1) Insert Leg(F) into the mounting position of Chaise Back(B) and attach using Bolts(①), Spring Washers(④) and Washers(③) with Allen Key(⑤).**

**2.2) Insert Leg(F) into the mounting position of Right Arm(C) and attach using Bolts(①), Spring Washers(④) and Washers(③) with Allen Key(⑤).**

**Tighten the Bolts fully in a sequential manner.**

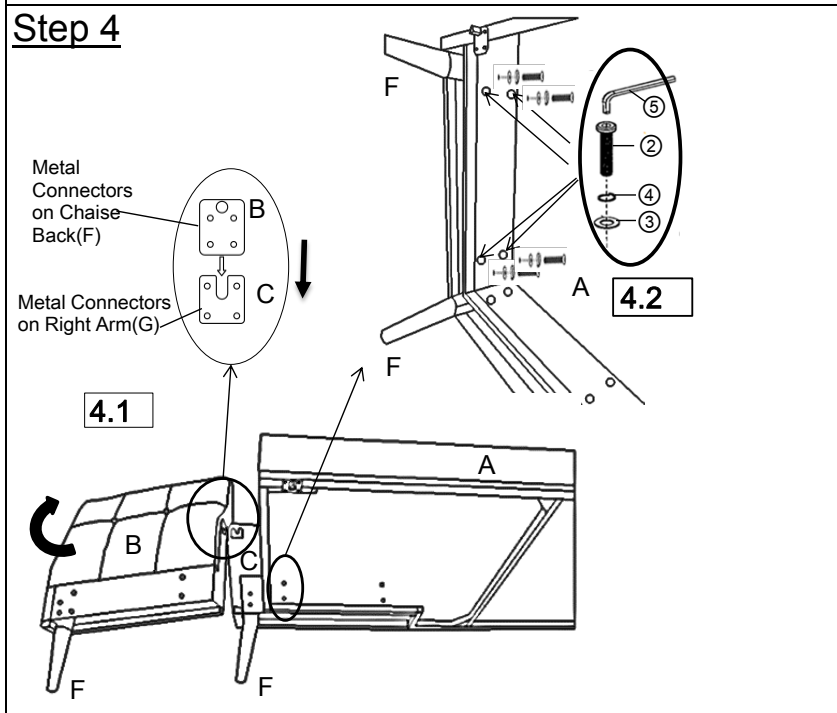
### Step 3



Insert the Right Arm(C) into the Chaise Seat Frame(A). Attach Right Arm(C) to Chaise Seat Frame(A) using Bolts(②), Spring Washers(④) and Washers(③) with Allen Key(⑤).

**Tighten the Bolts fully in a sequential manner.**

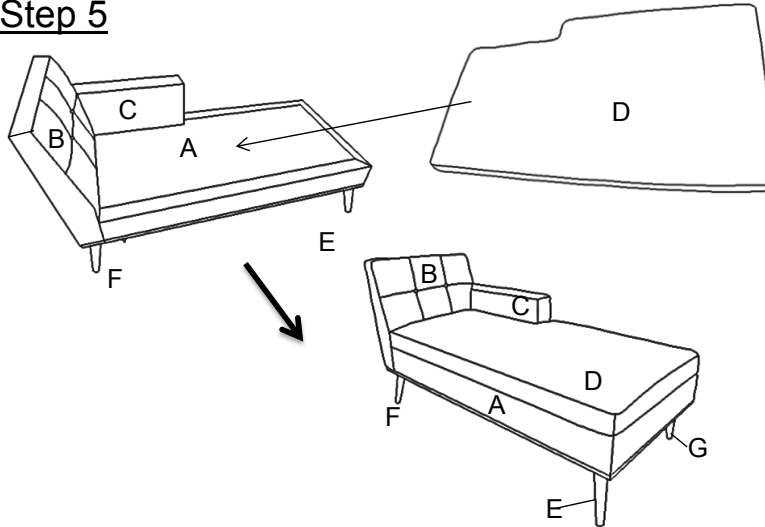
### Step 4



4.1) Insert the Metal Connectors on Chaise Back(B) into the Metal Connectors on Right Arm(C) as pictured.  
4.2) Attach Chaise Back(B) to Seat Frame(A) using Bolts(②), Spring Washers(④) and Washers(③) with Allen Key(⑤) as shown in pictured.

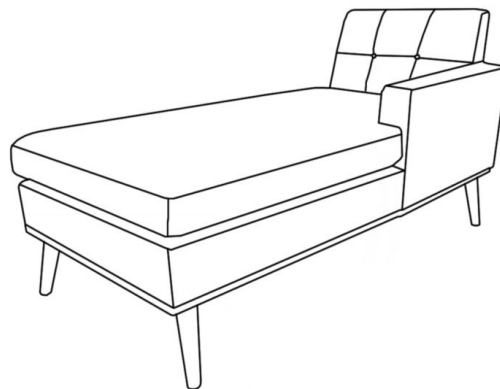
**Tighten the Bolts fully in a sequential manner.**

### Step 5



Stand the Chaise up.  
Put the Chaise seat Cushion(D) on the Chaise Seat.

### Step 6



Your Chaise Lounge is ready for use.  
**This Chaise Lounge can only be used on a flat, level surface.**

## Care & Maintenance



- Furniture may scratch floors. We recommend using furniture pads to protect your floors.



- Do not put hot items directly on furniture surface.



- Do not clean furniture with harsh cleansers or polish.



- Do not place furniture under direct sunlight.



- Do not place furniture near heating or cooling vents.



- Do not write on furniture without a padded barrier to protect the surface.



- Do not place furniture outside . For indoor use only.



- Not for commercial use. For residential use only.



- Stains may be removed with mild soap solution and damp cloth.



- Children should not climb or jump on the furniture.



- Dust and pick-up spills using a clean, non-colored, lint-free cloth.