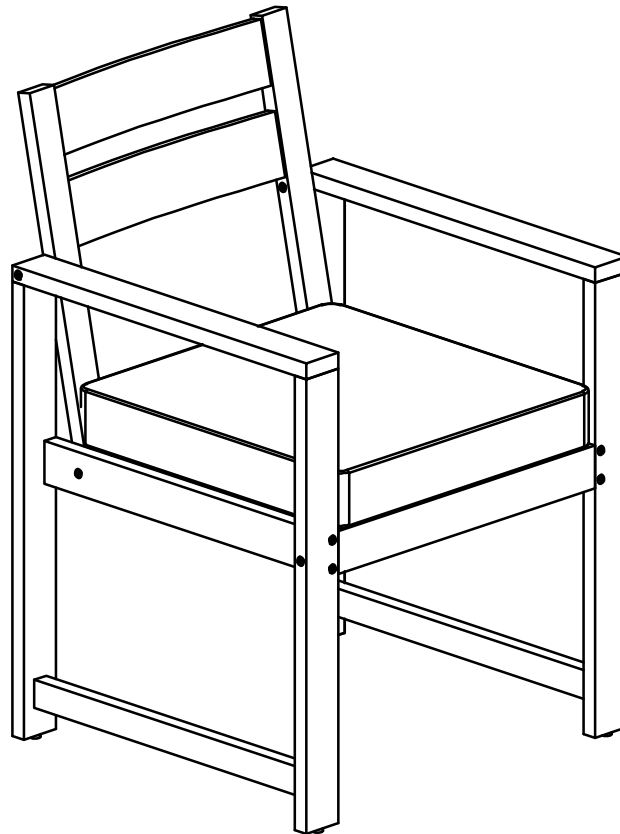


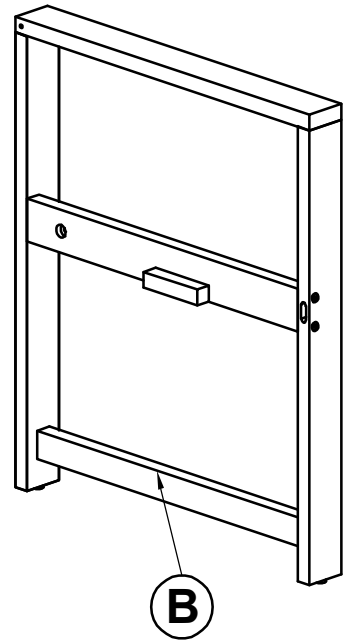
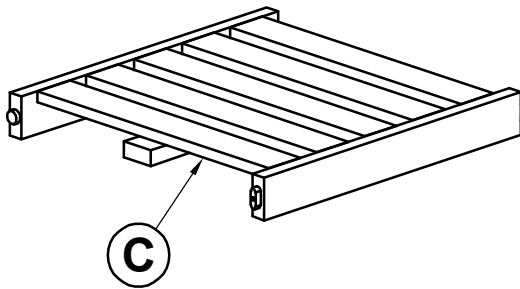
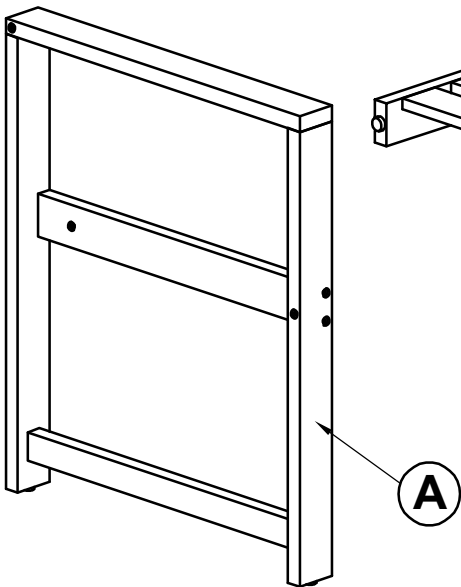
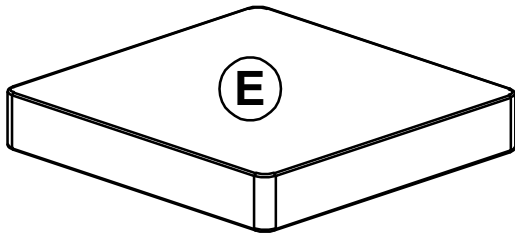
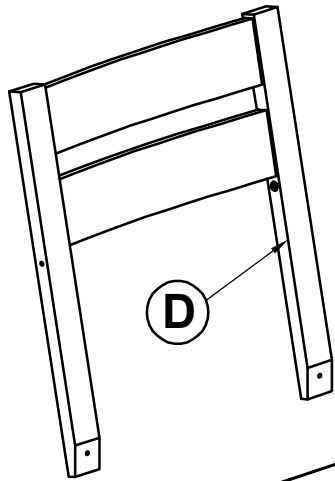
ASSEMBLY INSTRUCTION

DINING CHAIR



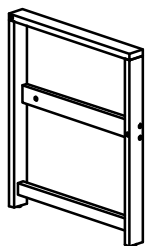
Please read all instructions carefully:

1. Have 2 adults on hand for assembly.
2. 50% Tighten before fixing all screws, Allen wrench is recommended instead of an electric drill.
3. Place the item on a flat ground to adjust and make sure it remains stable.
4. Tighten up all screws with tools gradually.
5. If the screws are not aligned with holes during assembly, please loosen all the other screws to 50% and continue the assembly process.
6. If the item is not stable, please loosen all the screws, adjust it on a flat ground and tighten up all screws again.
7. Note : If one or some screws are fully tightened during assembly, chances are the others will not be aligned with holes. In addition, all the holes are designed to be relatively larger to provide more space for the adjustment of the screws.



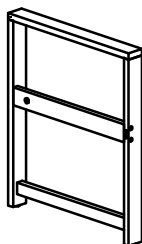
Part List :

A



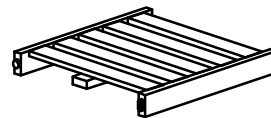
Left Leg Panel (1 pc)

B



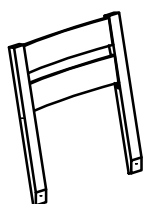
Right Leg Panel (1 pc)

C



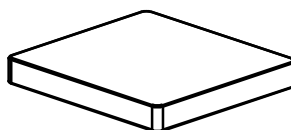
Seat Panel (1 pc)

D



Backrest Panel (1 pc)

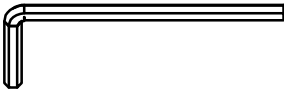
E



Seat Cushion (1 pc)

Hardware list:

1



Allen Wrench (1 pc)

2



Screw Bolt M6x30(2 pcs)
+ Extra 1 pc

3



Screw Bolt M6x60 (2 pcs)
+ Extra 1 pc

4



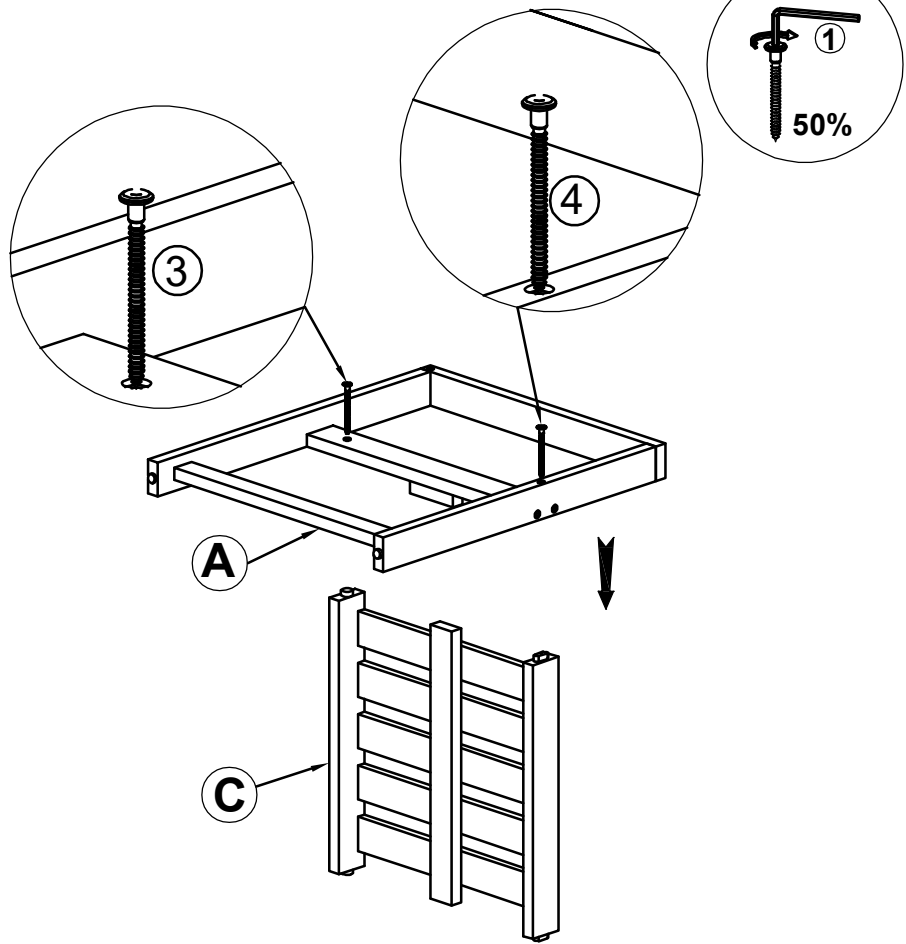
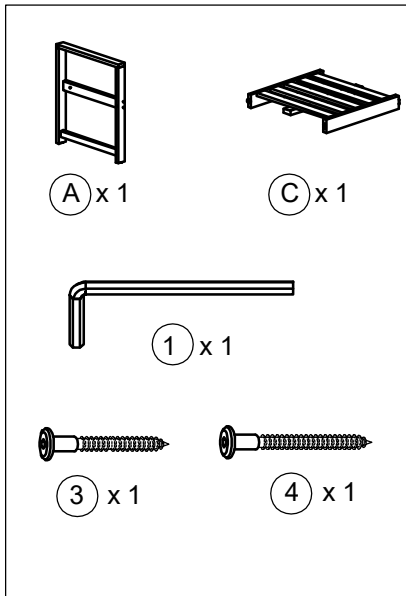
Screw Bolt M6x90 (2 pcs)
+ Extra 1 pc

5

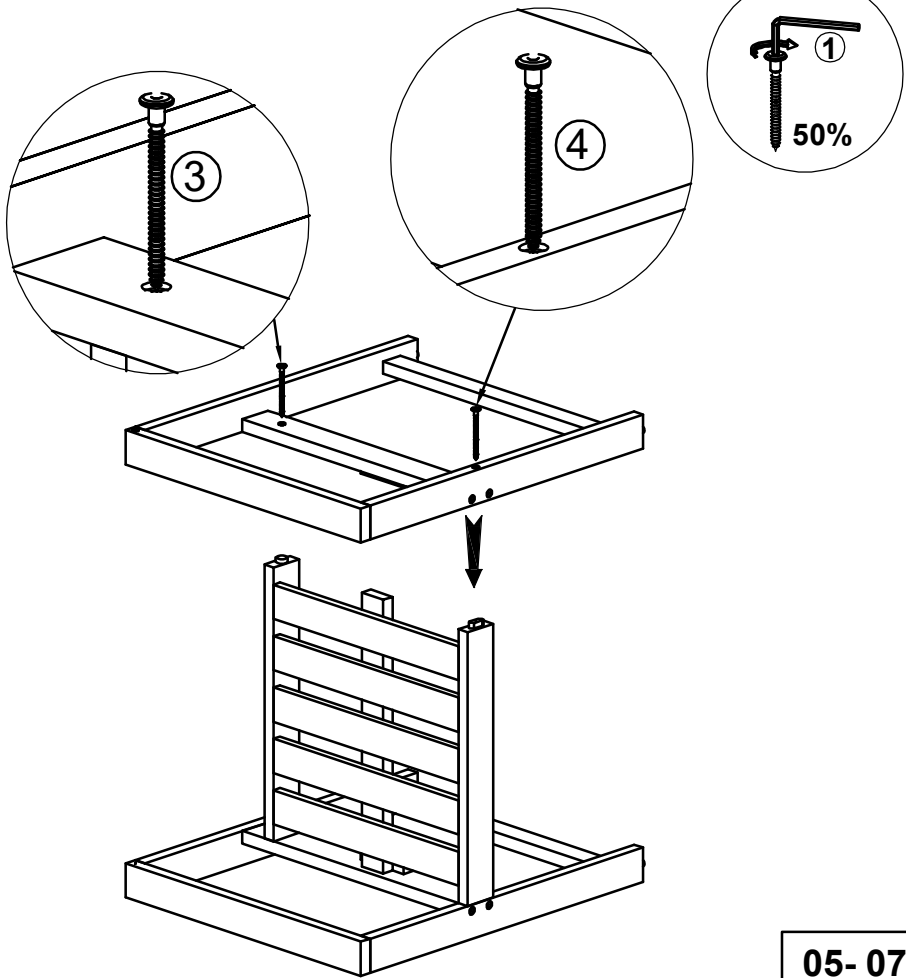
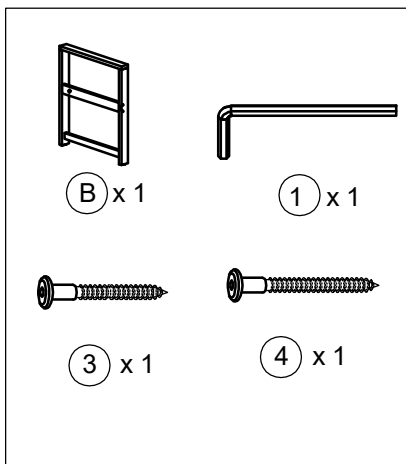


Bolt M6x80 (2 pcs)
+ Extra 1 pc

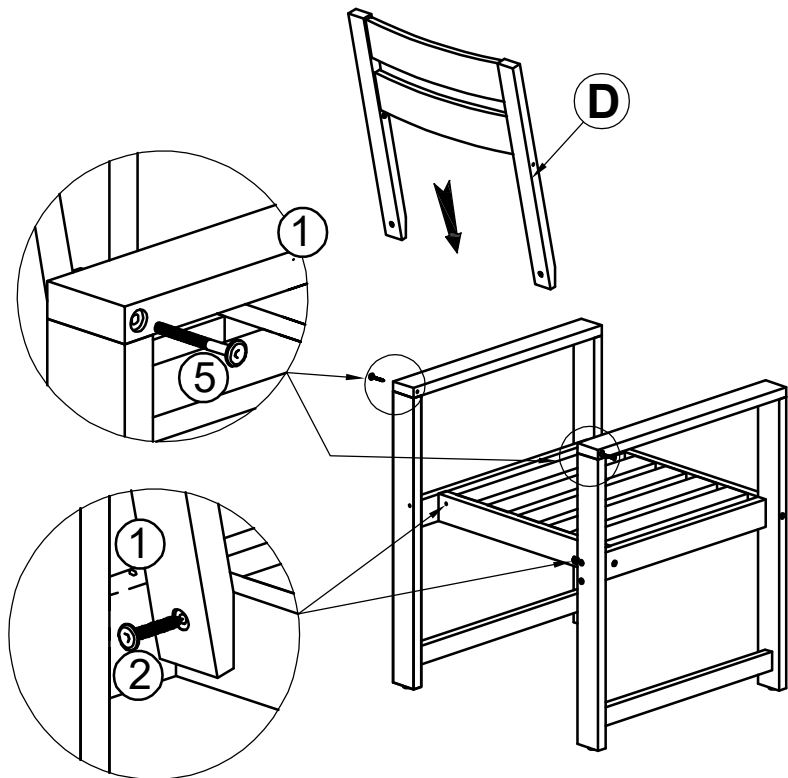
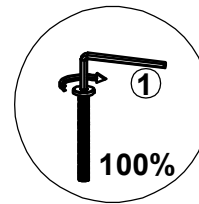
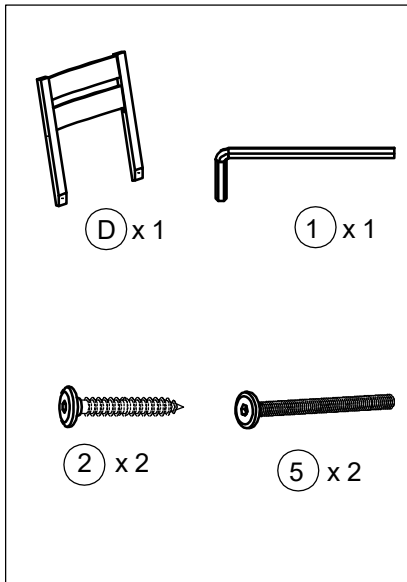
STEP 1



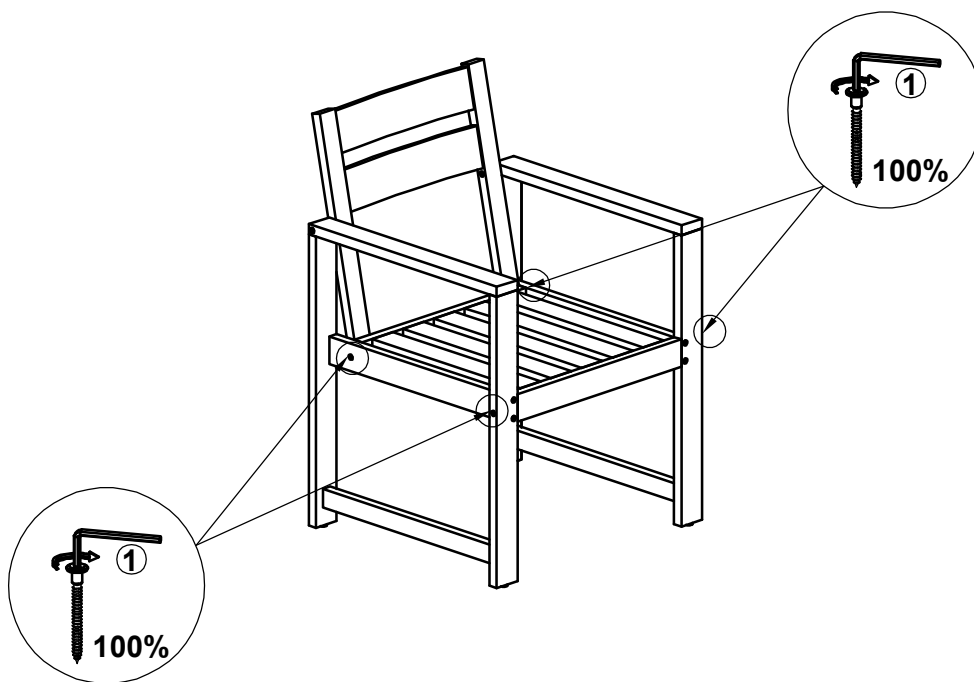
STEP 2



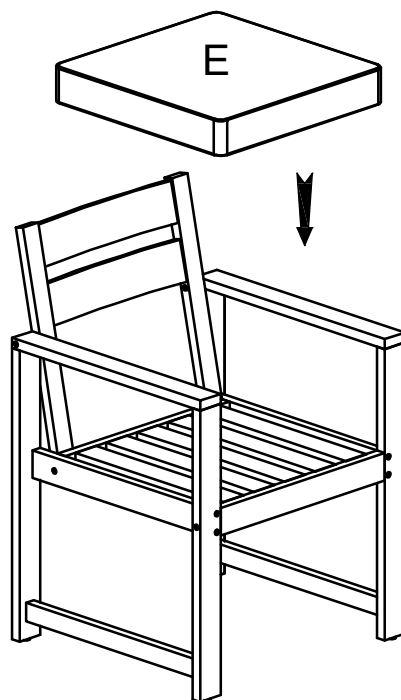
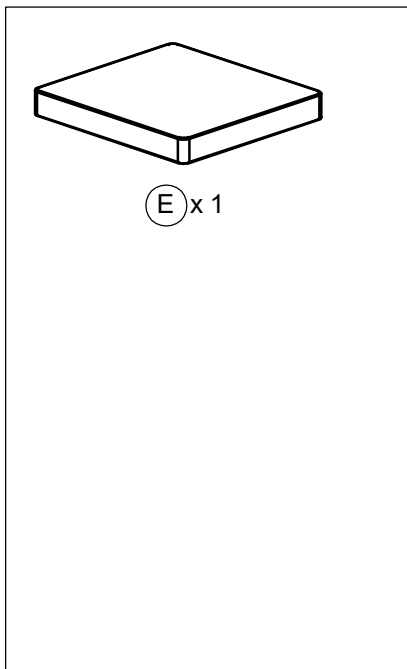
STEP 3



STEP 4



STEP 5



STEP 6

