

ASSEMBLY INSTRUCTIONS

ITEM #: WF300985AAE

WF300986AAE

Thank you for purchasing this quality product. Be sure to check all packing material carefully for small Hardware which may have come loose inside the carton during shipment. Identify and count all hardware and compare with the hardware list below

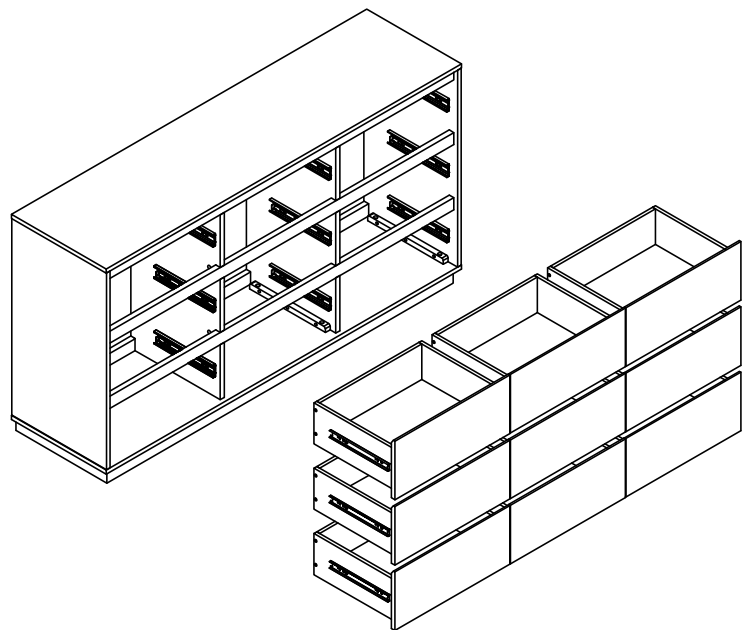
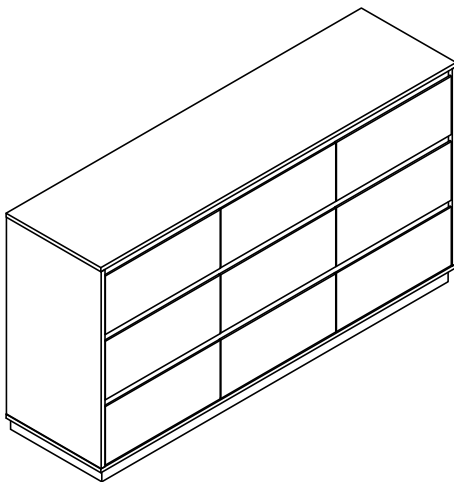
ASSEMBLY INSTRUCTION :

1. Remove hardware from box and sort by size.
2. Please check to see that all hardware and parts are present prior start of assembly.
3. Please follow attached instruction in the same sequence as numbered to assure fast and easy.

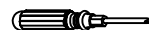


WARNING !

1. Don't attempt to repair or modify parts that are broken or defective. Please contact the store immediately.
2. This product is for home use only and not intended for commercial establishments.
3. Two persons are required for assembly.
4. Approximate assembly time: 1/2 hours
5. Component parts and fittings contained in the box.
Please sort out all parts before you begin to assemble the item.
This is to make sure you always use the correct part
6. It is **STRONGLY RECOMMENDED** that you **ANCHOR** this product.
Toppling furniture can cause serious injuries and death.
This product has not been fitted with an anchor strap.
To prevent your furniture from tipping forward it is strongly recommended that you securely attach this product to a wall or other solid surface, using the anchor straps provided and appropriate fixings.



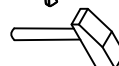
TOOLS NEEDED: Phillips Screwdriver



Wall Drill



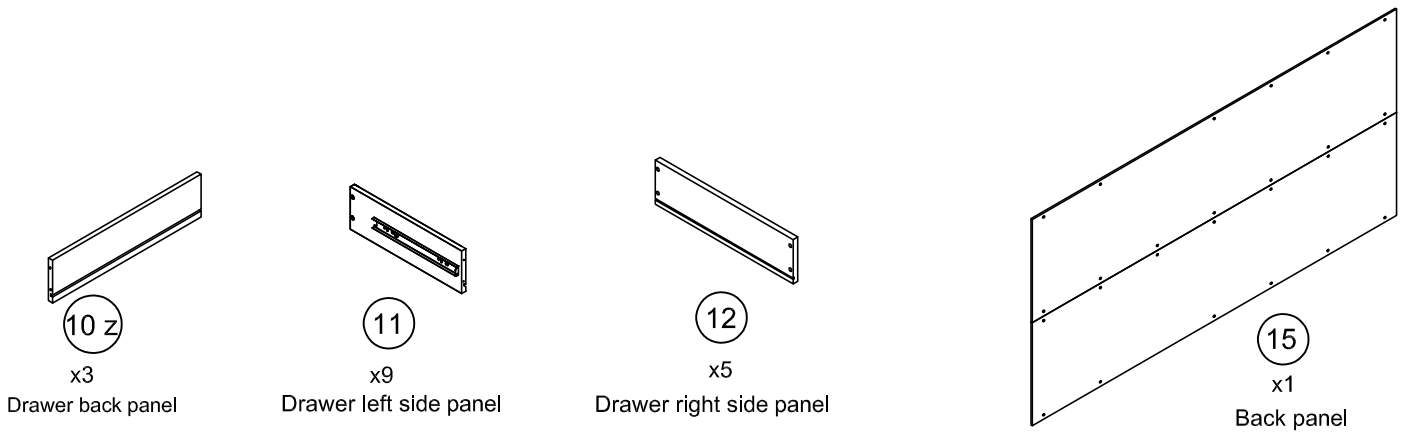
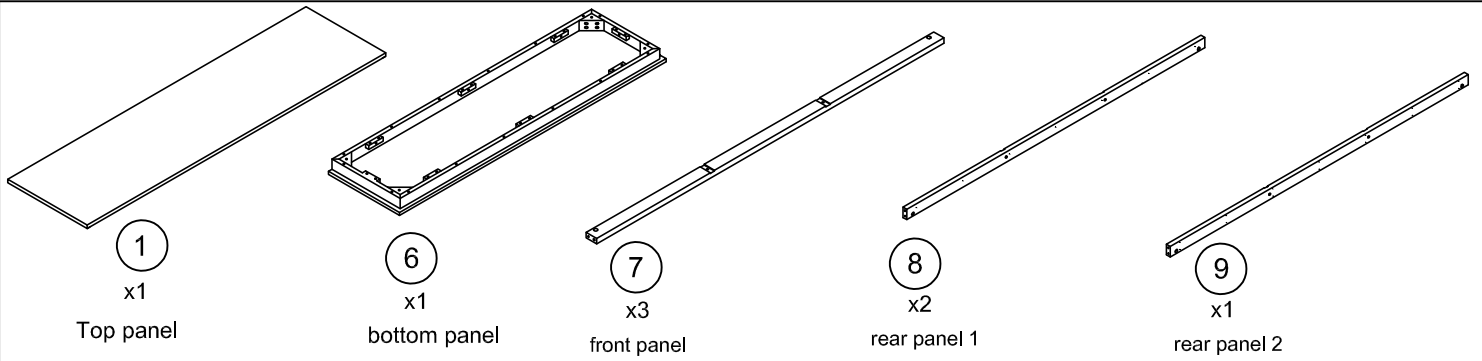
Hammer



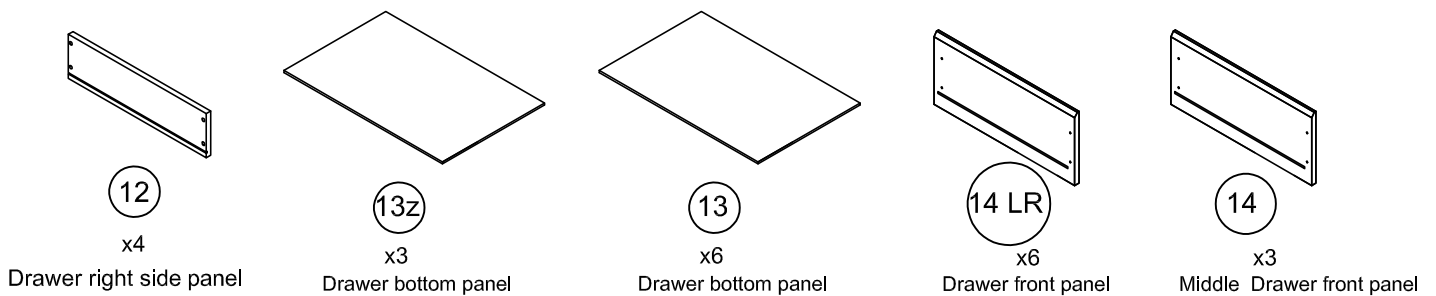
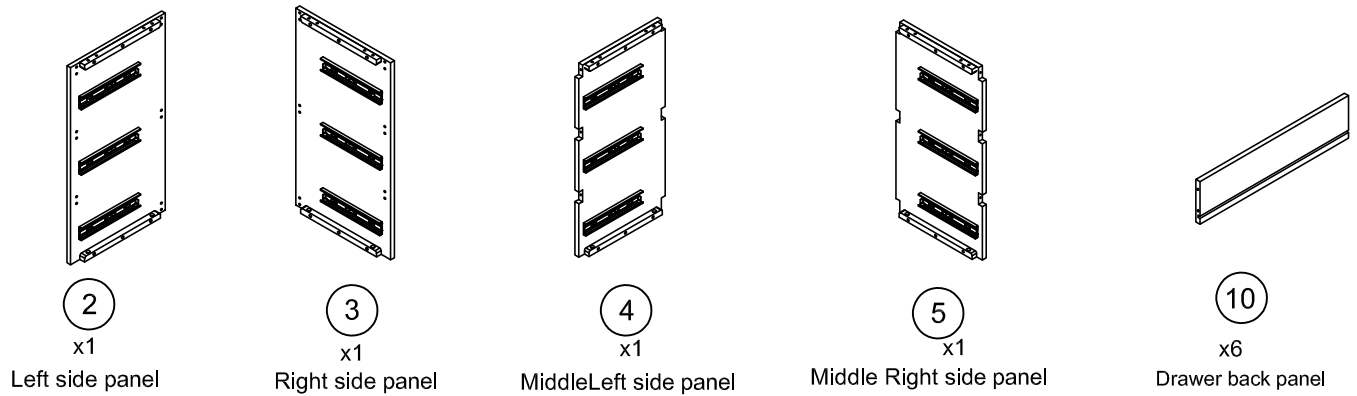
ASSEMBLY INSTRUCTIONS

PART LIST

Box 1 :WF300985AAE

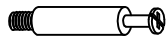


Box 2 :WF300986AAE



ASSEMBLY INSTRUCTIONS

HARDWARE LIST (WF300986AAE)



(A)

x54
Cam-bolts



(B)

x54
Cam-locks

$\Phi 8 \times 3/4$ "



(C)

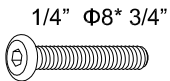
x16
Dowels

$\Phi 8 \times 1-1/8$ "



(D)

x12
Dowels



(E)

x16
Bolts

$\Phi 13 \times 1$ mm



(F)

x16
Flat Washer

$\Phi 10 \times 1$ mm



(G)

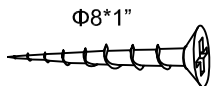
x16
Spring Washer

4mm



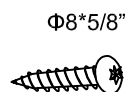
(H)

x1
Allen Key



(I)

x36
Screws



(J)

x28
Screws



(K)

x4
Hook



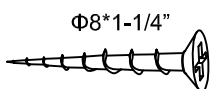
(L)

x4
Anchor



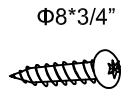
(M)

x2
Plastic tie



(N)

x4
Screws



(O)

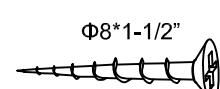
x4
Screws

$1/4 \times 20$



(P)

x4
increase and decrease below



(Q)

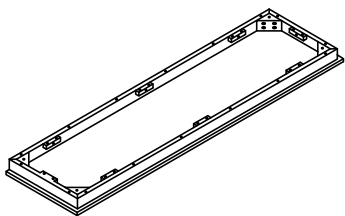
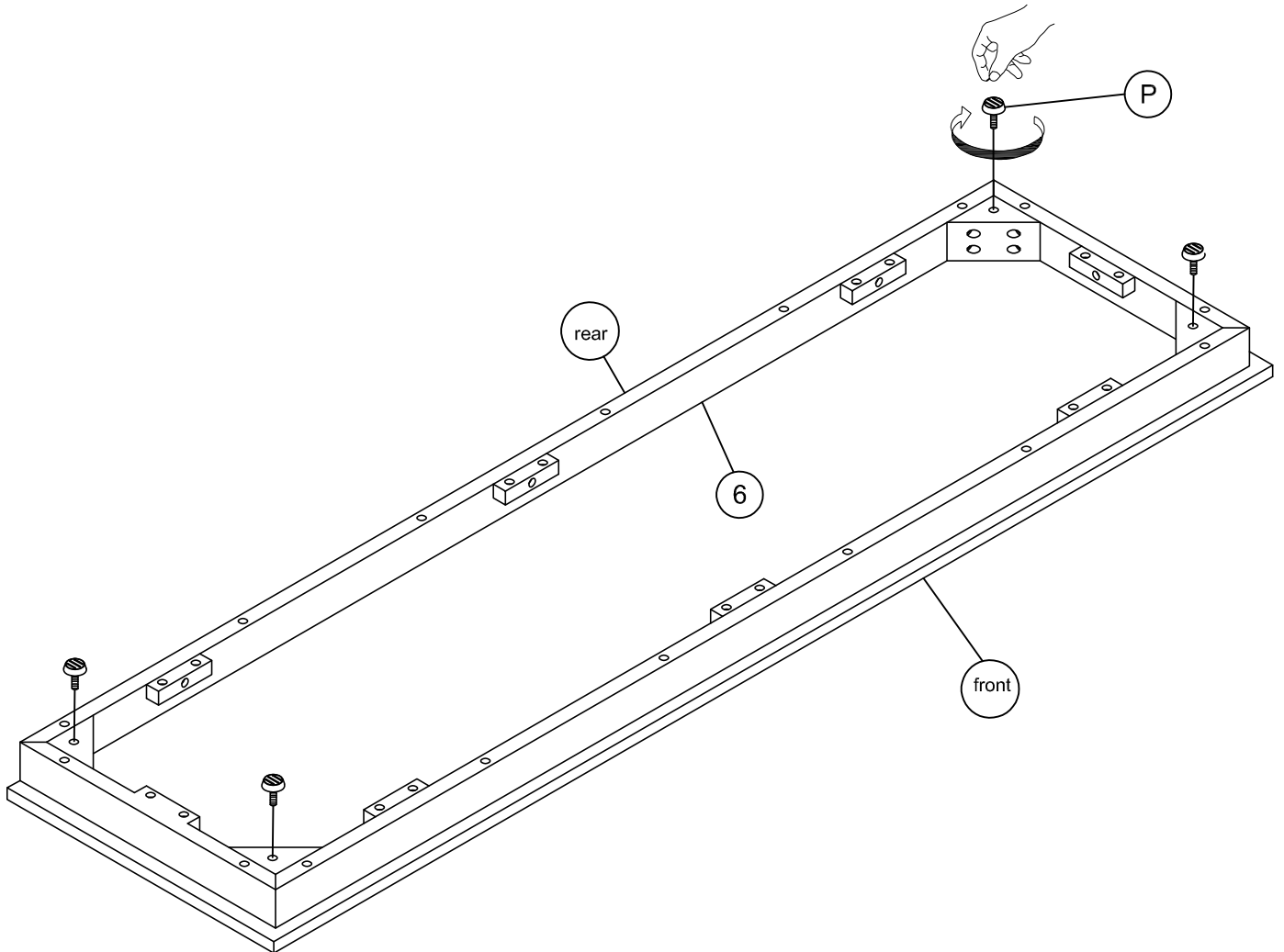
x6
Screws

ASSEMBLY INSTRUCTIONS

ITEM #: WF300985AAE

WF300986AAE

STEP 1



6

x1

bottom panel



P

x4

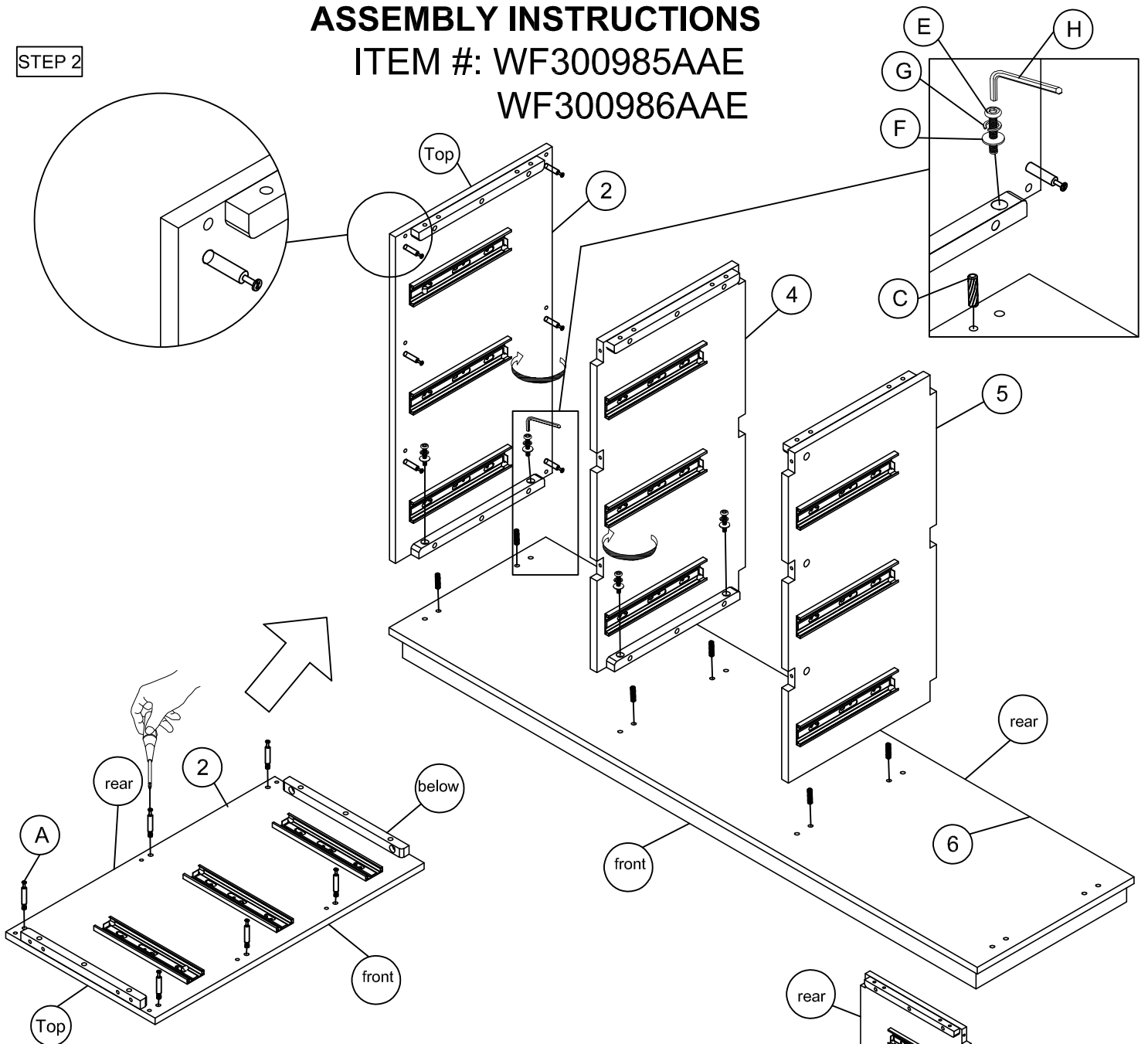
increase and decrease below

ASSEMBLY INSTRUCTIONS

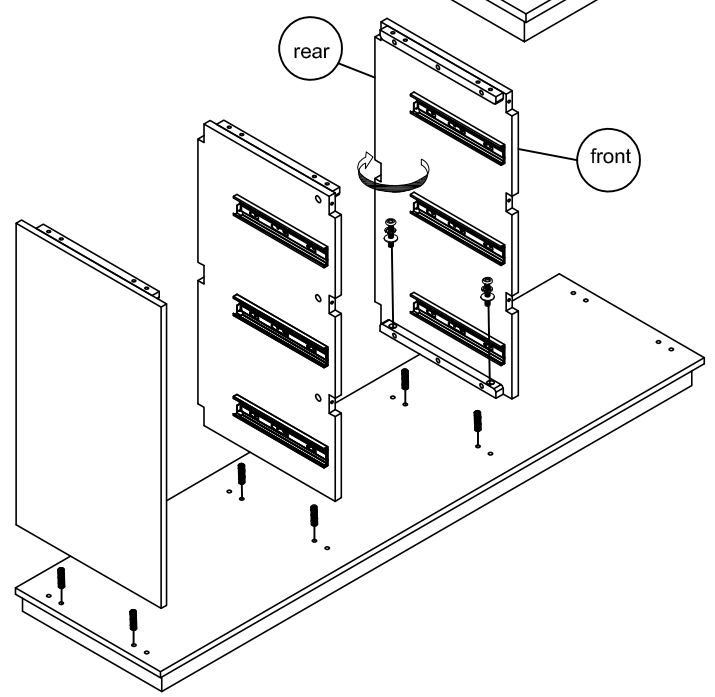
ITEM #: WF300985AAE

WF300986AAE

STEP 2



6 x1	2 x1	4 x1	
bottom panel	Left side panel	Right side panel	
5 x1	A x6	C x6	E x6
Middle Left side panel	Cam-bolts	Dowels	Bolts
	F x6	G x6	H x1
	Flat Washer	Spring Washer	Allen Key

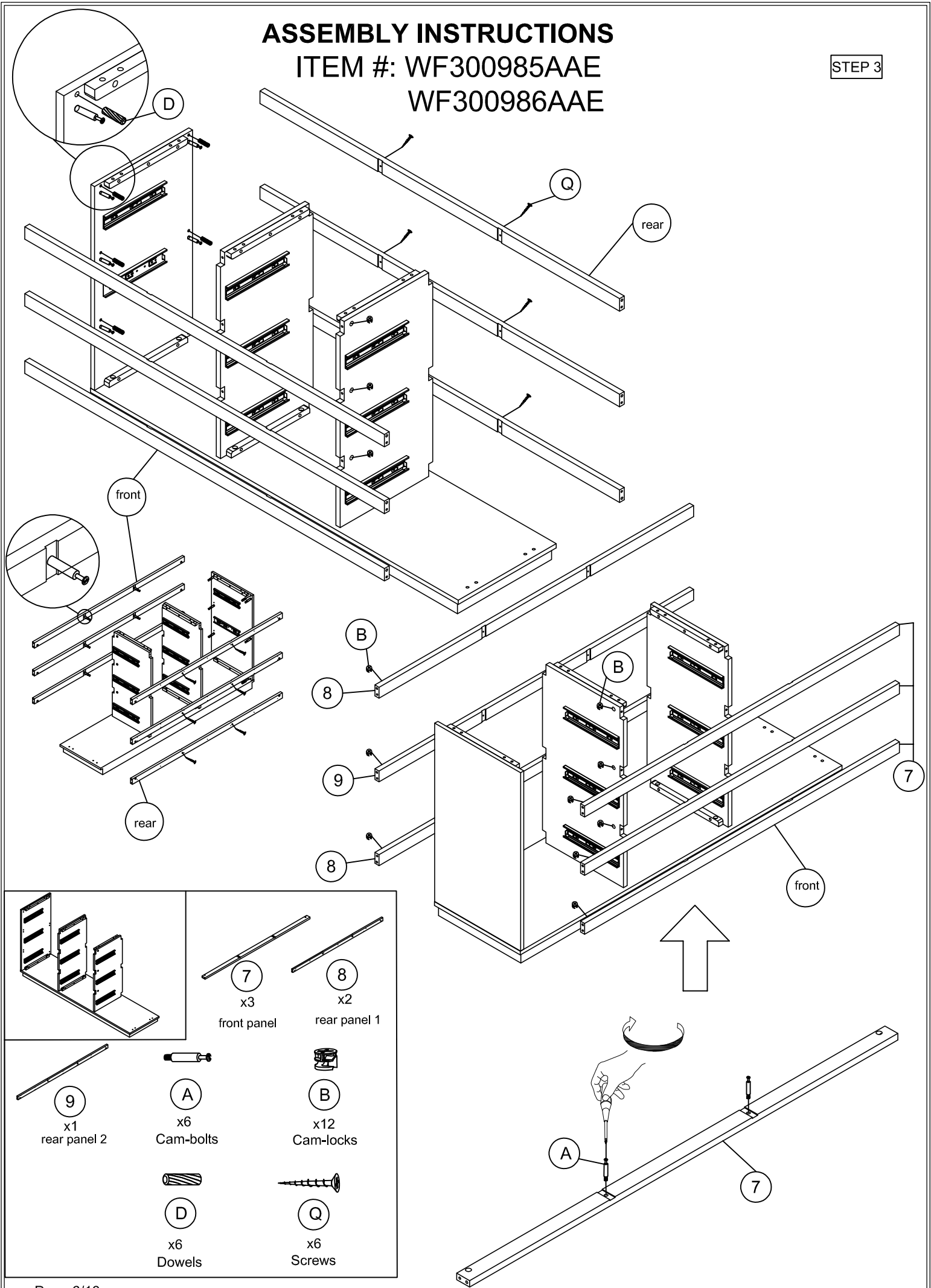


ASSEMBLY INSTRUCTIONS

ITEM #: WF300985AAE

WF300986AAE

STEP 3



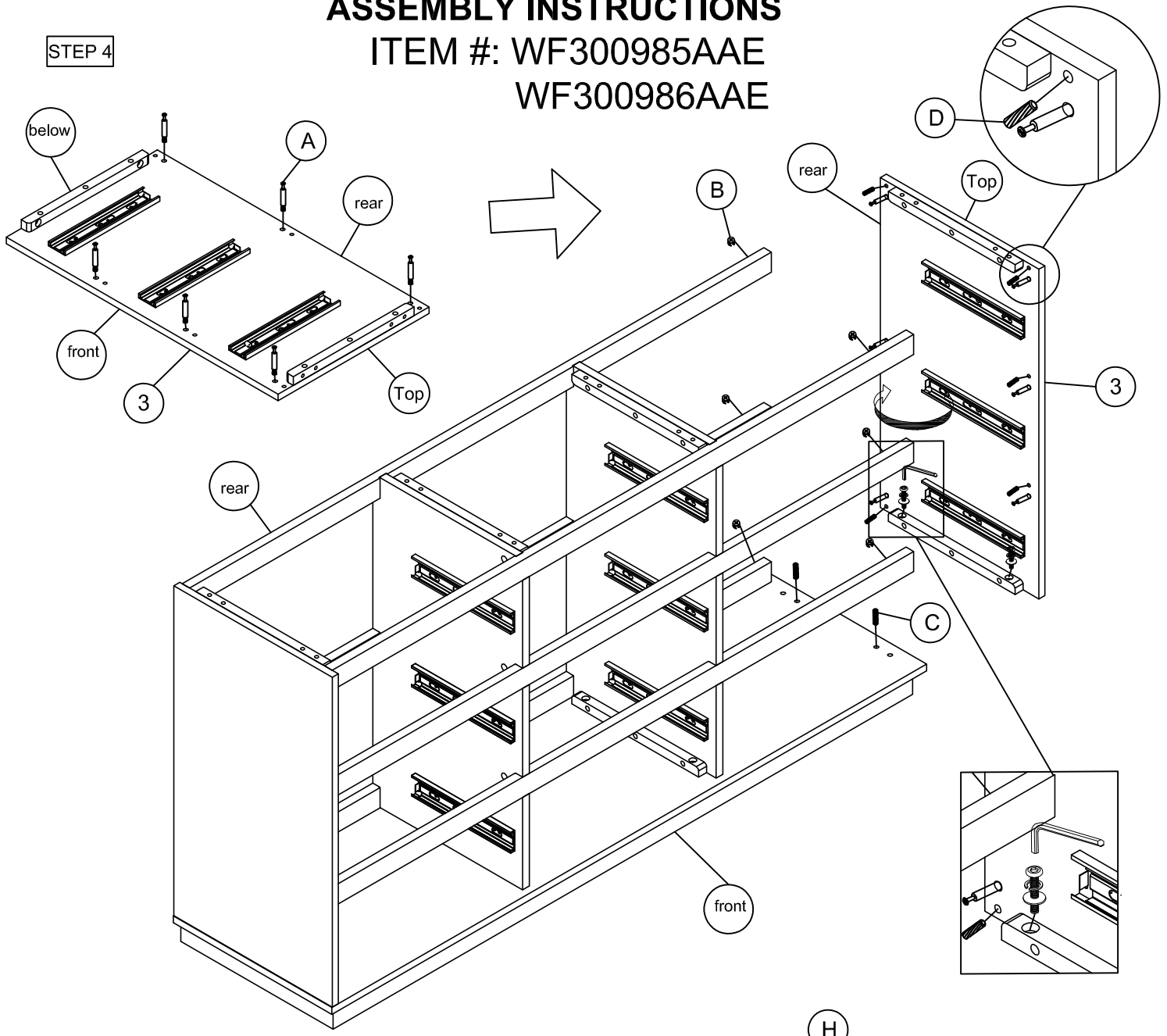
x3 front panel	x2 rear panel 1	
x1 rear panel 2	x6 Cam-bolts	x12 Cam-locks
x6 Dowels	x6 Screws	

ASSEMBLY INSTRUCTIONS

ITEM #: WF300985AAE

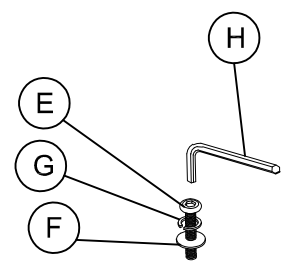
WF300986AAE

STEP 4



3
x1
Right side panel

(A)	(B)	(C)	(D)
x6 Cam-bolts	x6 Cam-locks	x2 Dowels	x6 Dowels
(E)	(F)	(G)	(H)
x2 Bolts	x2 Flat Washer	x2 Spring Washer	x1 Allen Key

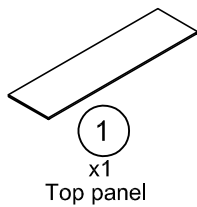
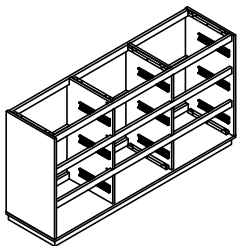
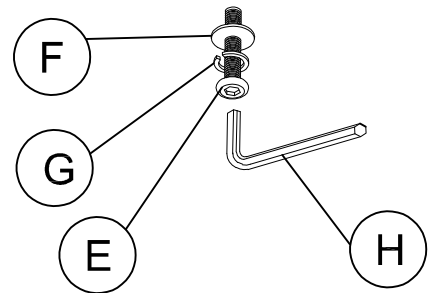
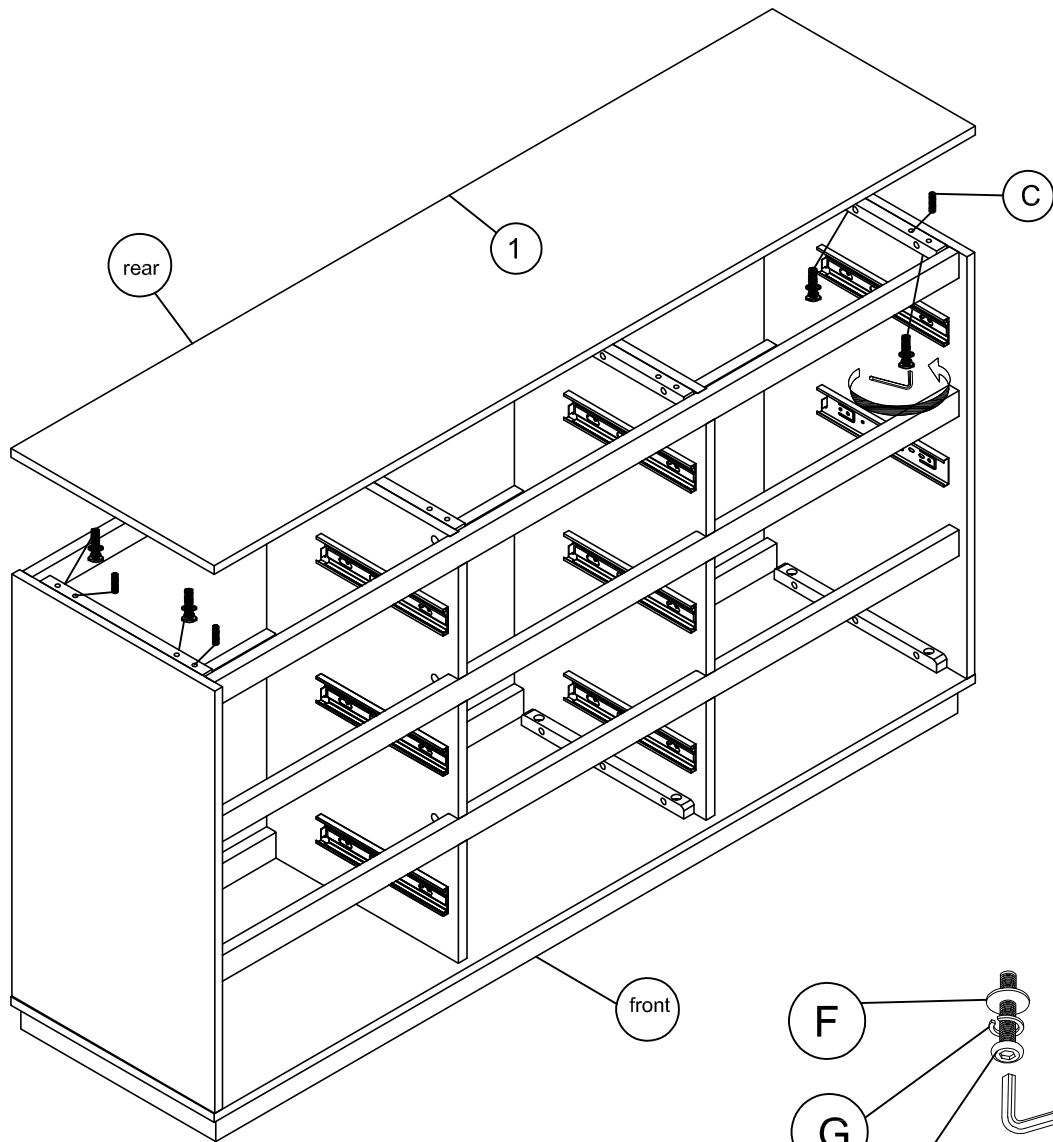


ASSEMBLY INSTRUCTIONS

ITEM #: WF300985AAE

WF300986AAE

STEP 5



(C)
x4
Dowels



(E)
x4
Bolts



(F)
x4
Flat Washer



(G)
x4
Spring Washer



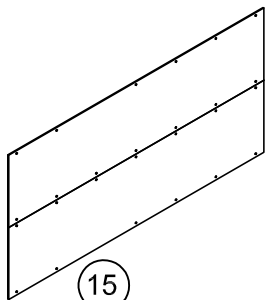
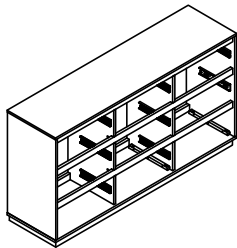
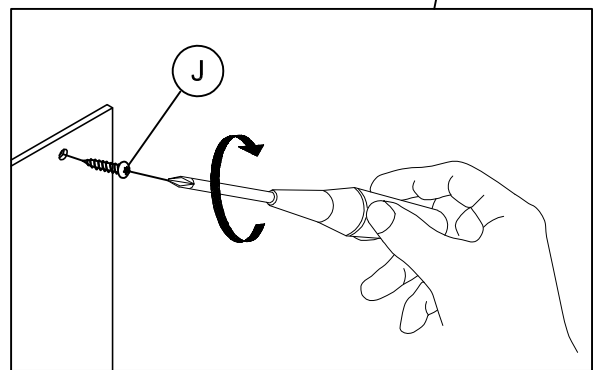
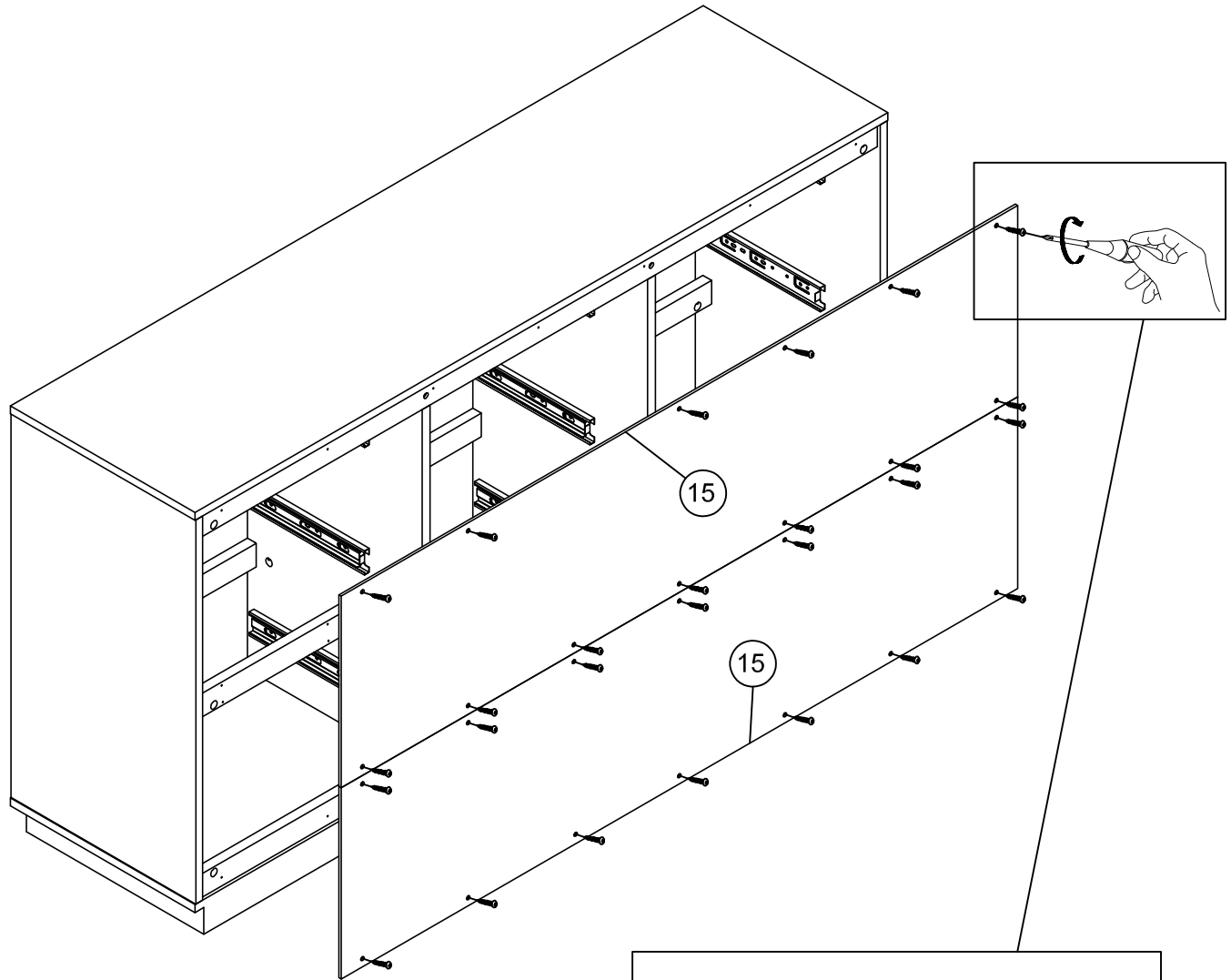
(H)
x1
Allen Key

ASSEMBLY INSTRUCTIONS

ITEM #: WF300985AAE

WF300986AAE

STEP 6



(15)
x1
Back panel

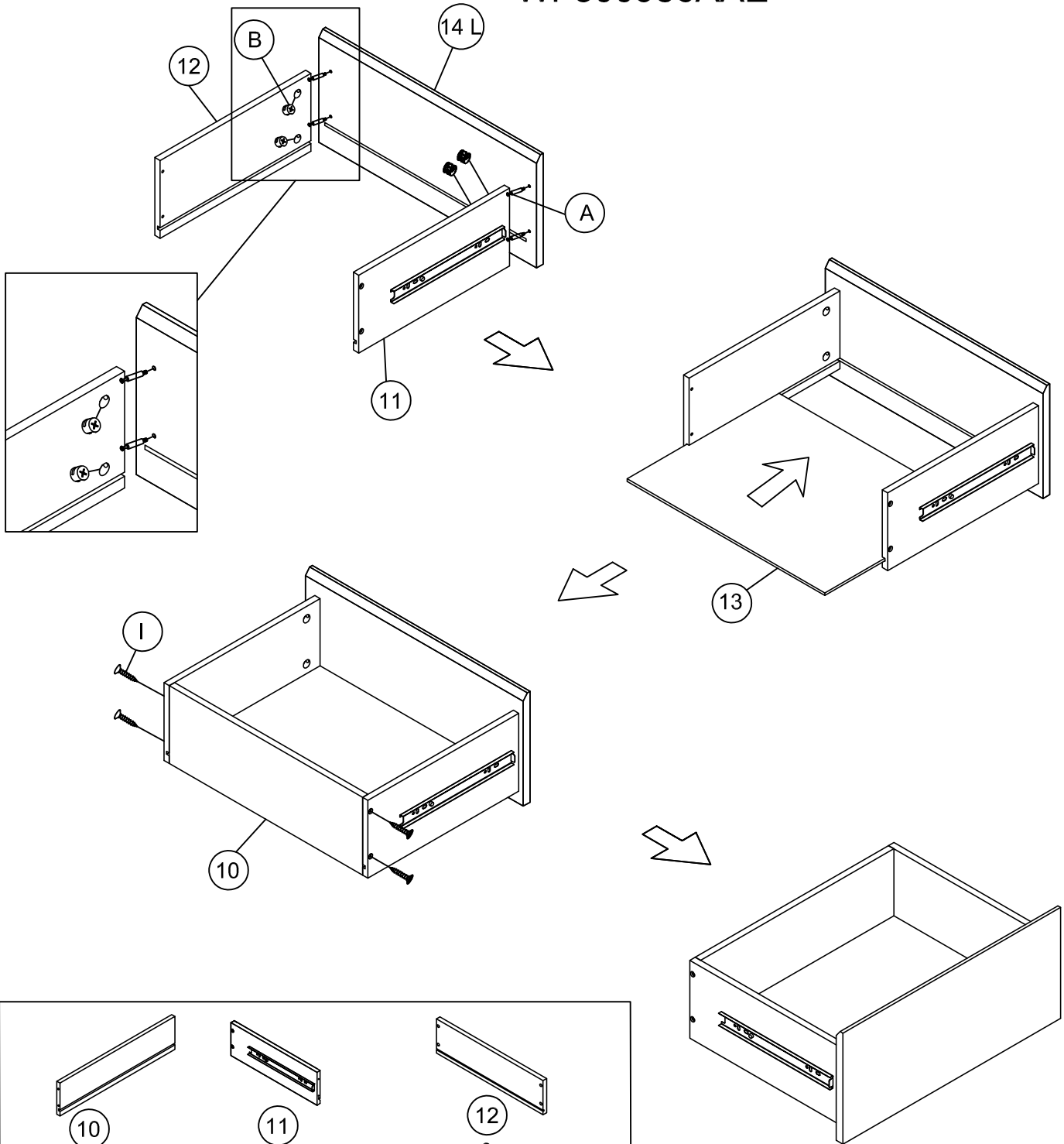
(J)
x28
Screws

ASSEMBLY INSTRUCTIONS

ITEM #: WF300985AAE

WF300986AAE

STEP 7



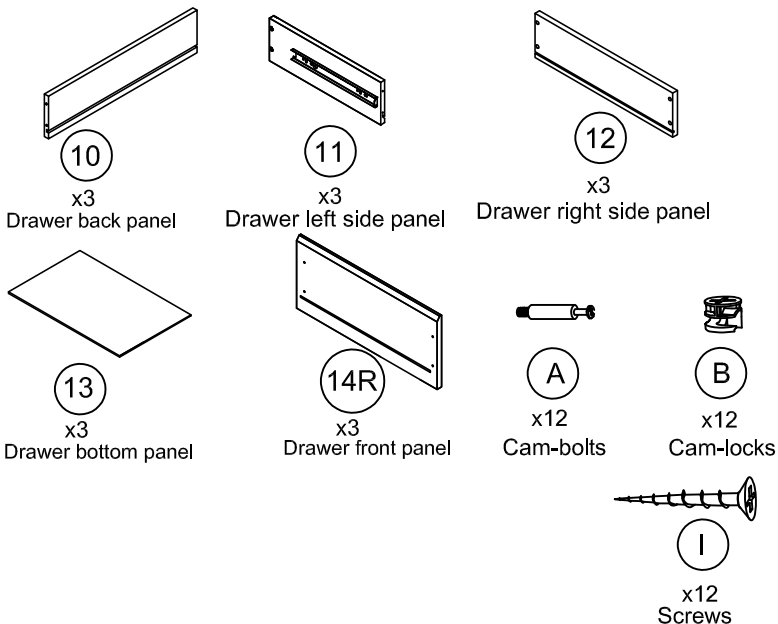
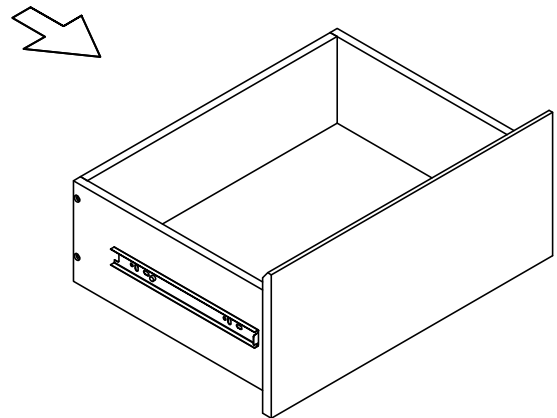
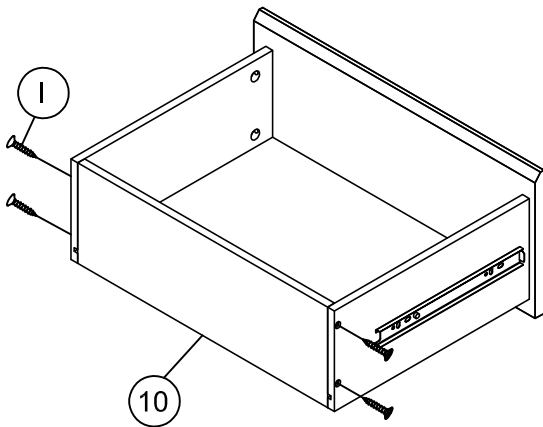
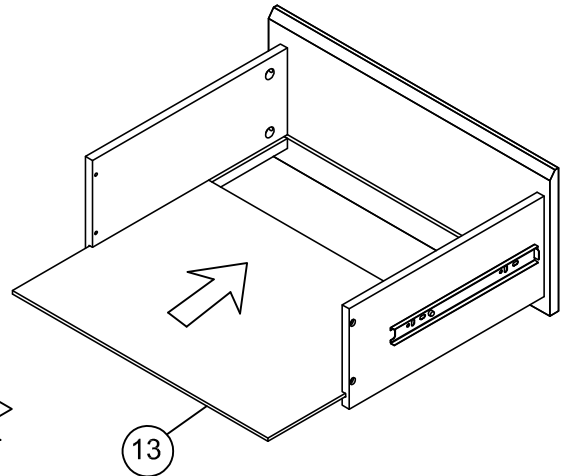
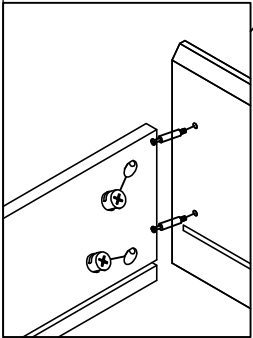
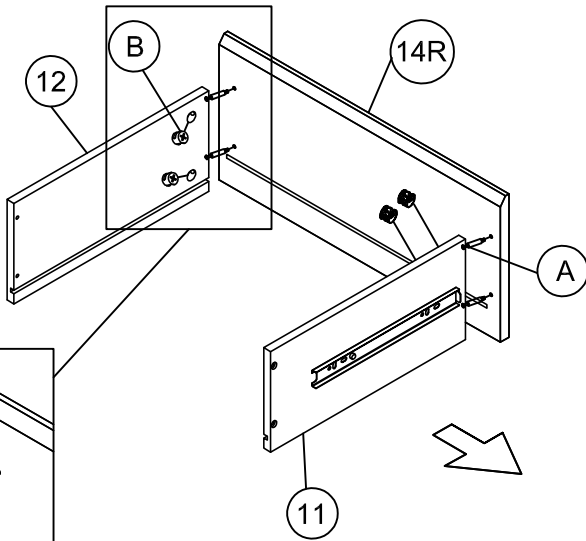
- | | | |
|-------------------------------------|--|---|
|
10
x3
Drawer back panel |
11
x3
Drawer left side panel |
12
x3
Drawer right side panel |
|
13
x3
Drawer bottom panel |
14 L
x3
Drawer front panel |
A
x12
Cam-bolts |
| | |
B
x12
Cam-locks |
| | |
I
x12
Screws |

ASSEMBLY INSTRUCTIONS

ITEM #: WF300985AAE

WF300986AAE

STEP 8

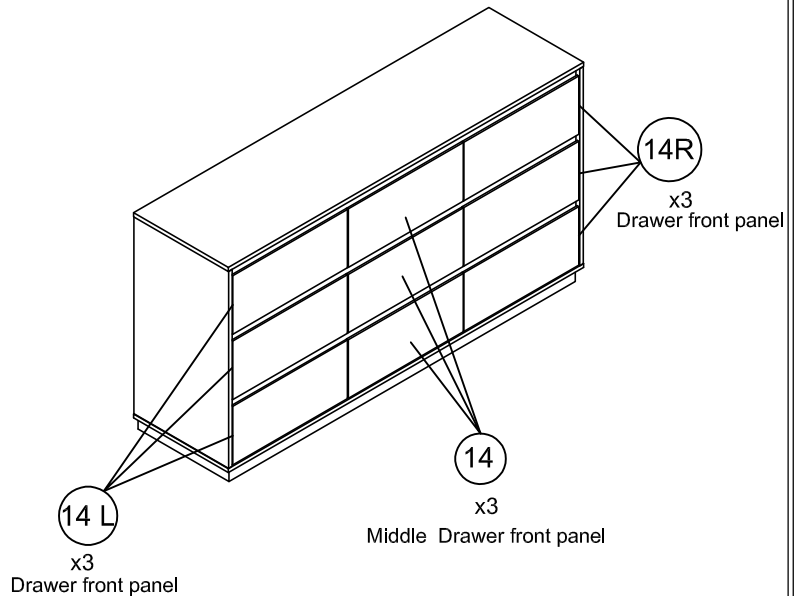
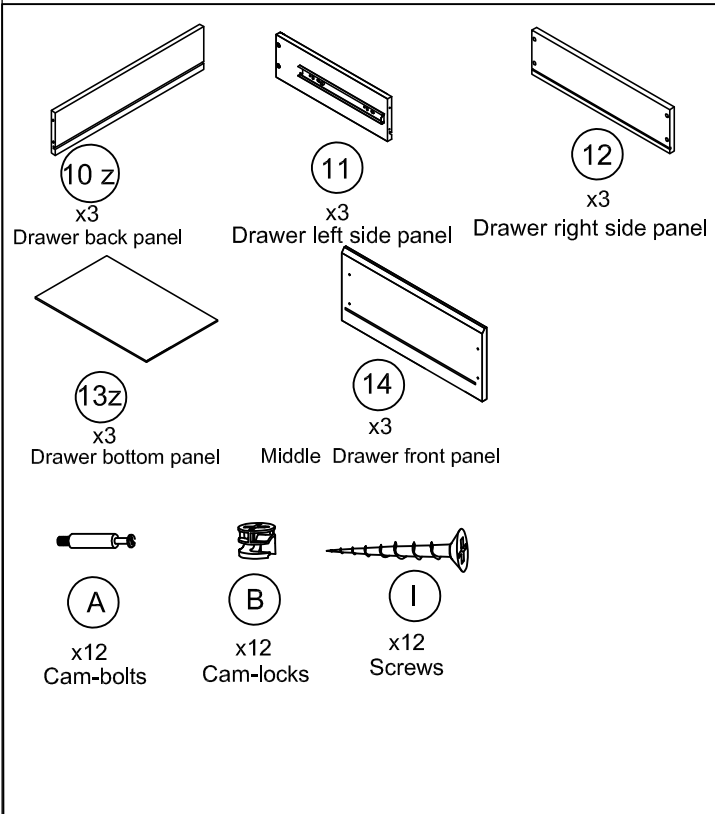
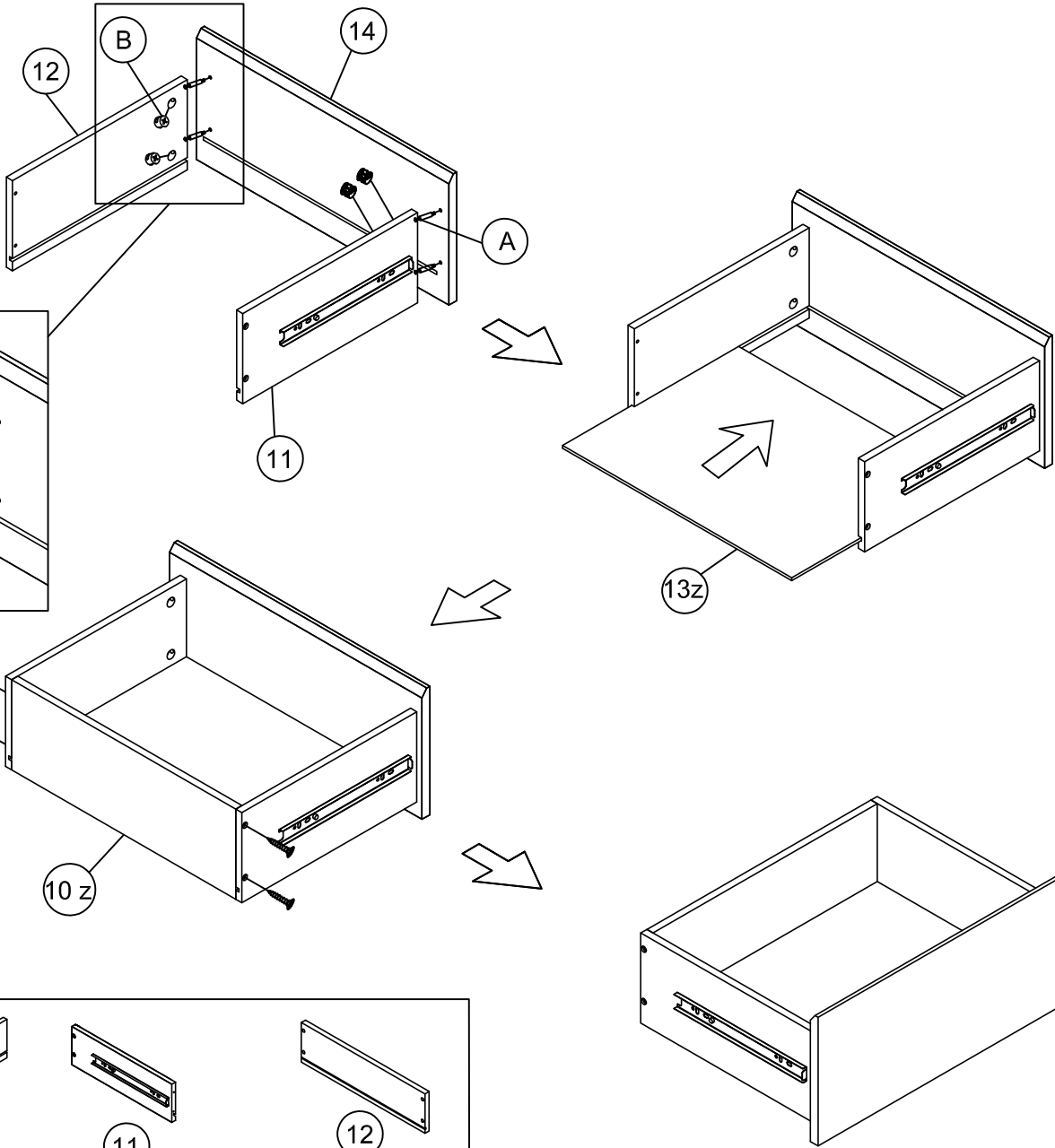


ASSEMBLY INSTRUCTIONS

ITEM #: WF300985AAE

WF300986AAE

STEP 9



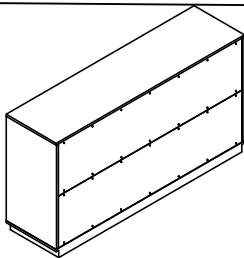
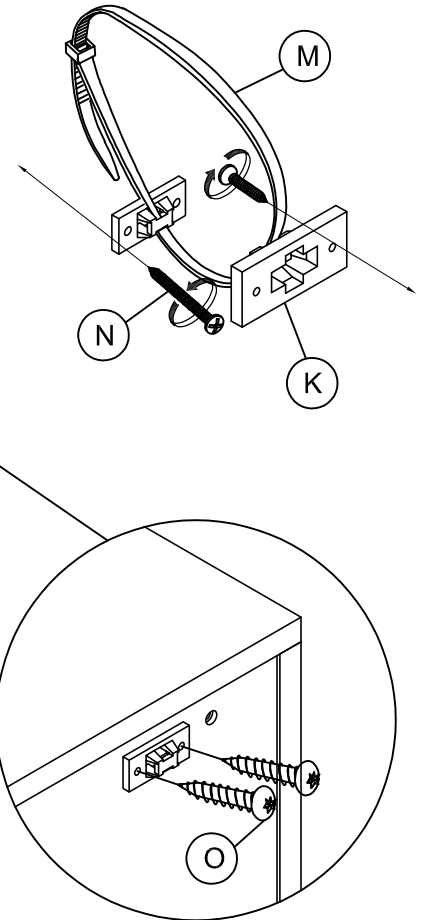
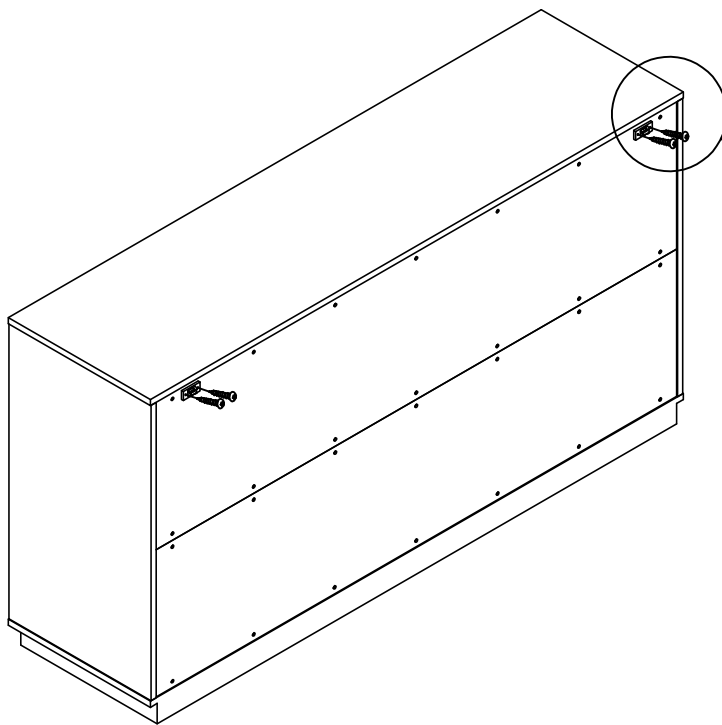
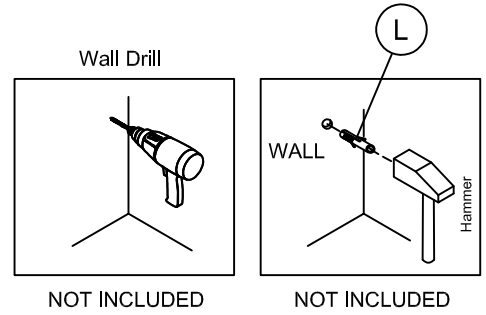
ASSEMBLY INSTRUCTIONS

ITEM #: WF300985AAE

WF300986AAE

STEP 10

Place the Cabinet in the desired location against the wall. Mark the position of the attached Hooks on the wall and remove the Cabinet. Using one of the remaining Hooks (K) as a template, Place the Hook (K) under the marks on the wall and mark the two hole positions. Drill the holes for the Anchors (L) and insert the Anchors (L) into the wall. Attach the remaining Hooks (K) to the Anchors (K) with Screw (N). Fully tighten the screws. Return the Cabinet to the selected position and connect the Hooks (K) together with Plastic Tie (M). Assembly is now complete.



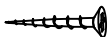
(K)
x4
Hook



(L)
x4
Anchor



(M)
x2
Plastic tie



(N)
x4
Screws



(O)
x4
Screws