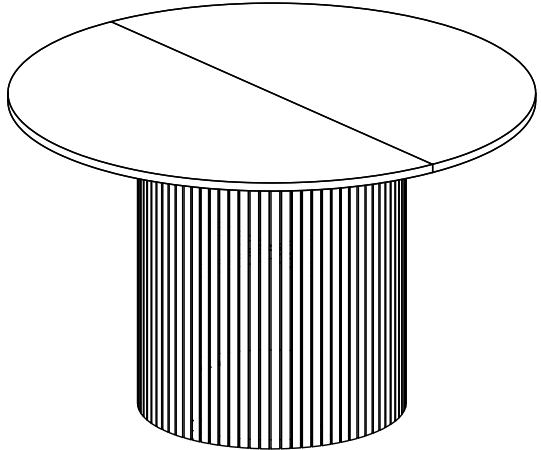
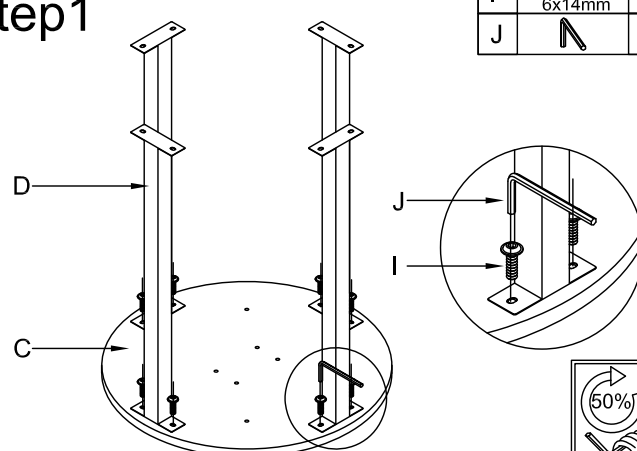


# Installation & Assembly



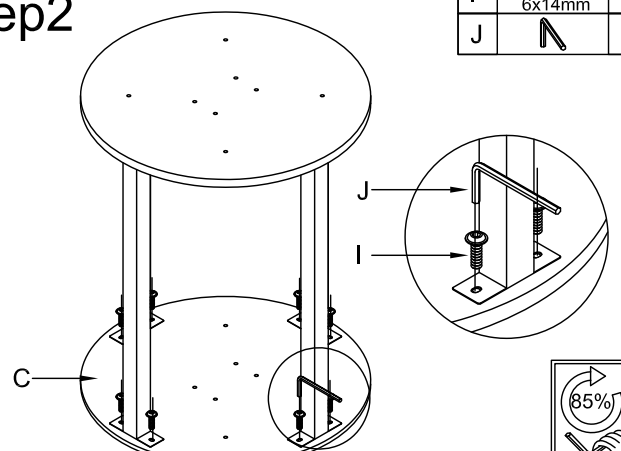
Ax2	Bx2	Cx2	Dx4	Ex2
Fx8	Gx6	Hx8	Ix20	Jx1
SPARE(Ersatzteile)				
Fx1	Hx1	Ix1		

### Step 1



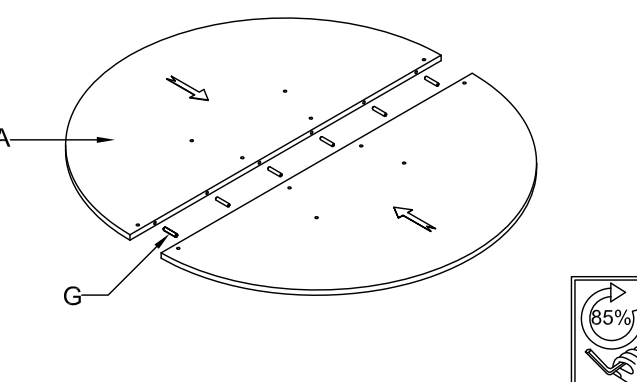
I	6x14mm	8
J		1

### Step 2



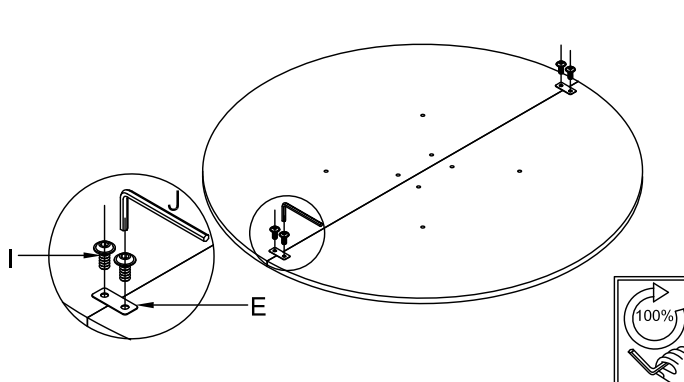
I	6x14mm	8
J		1

### Step 3



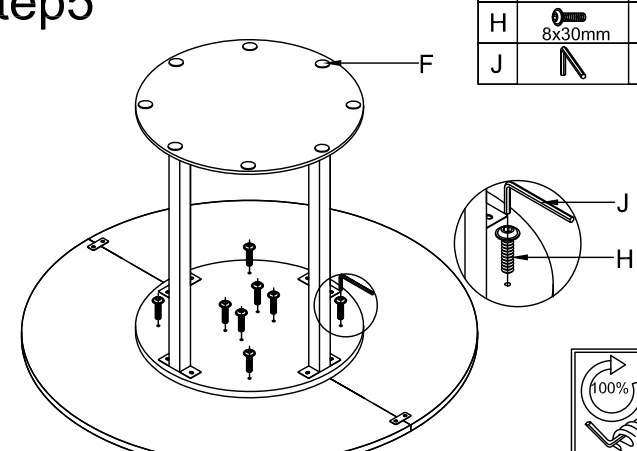
G		6
---	--	---

### Step 4



E		2
I	6x14mm	4
J		1

### Step 5



F		8
H	8x30mm	8
J		1

### Step 6

