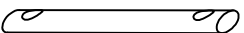
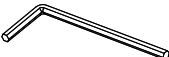
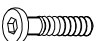

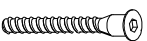

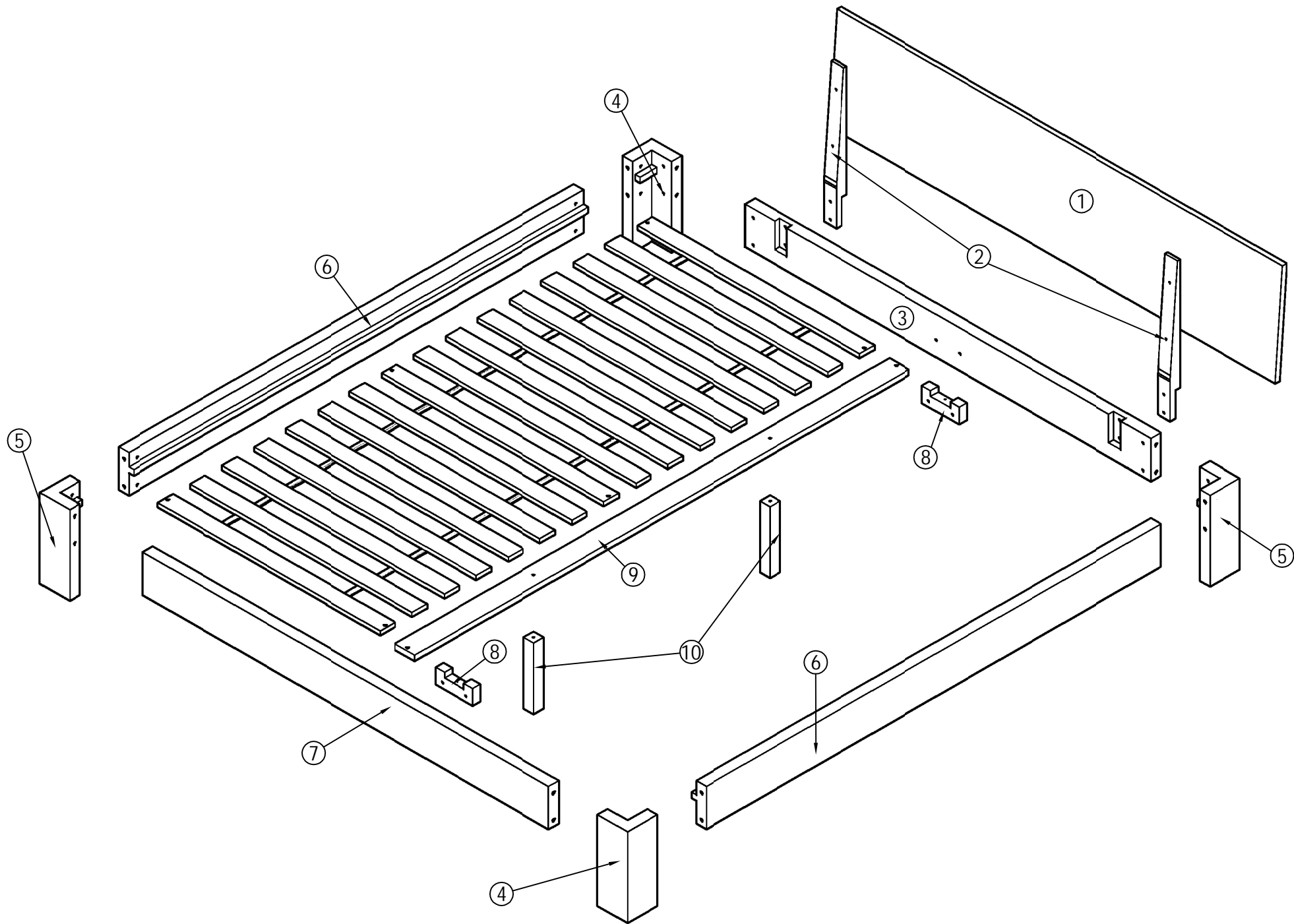
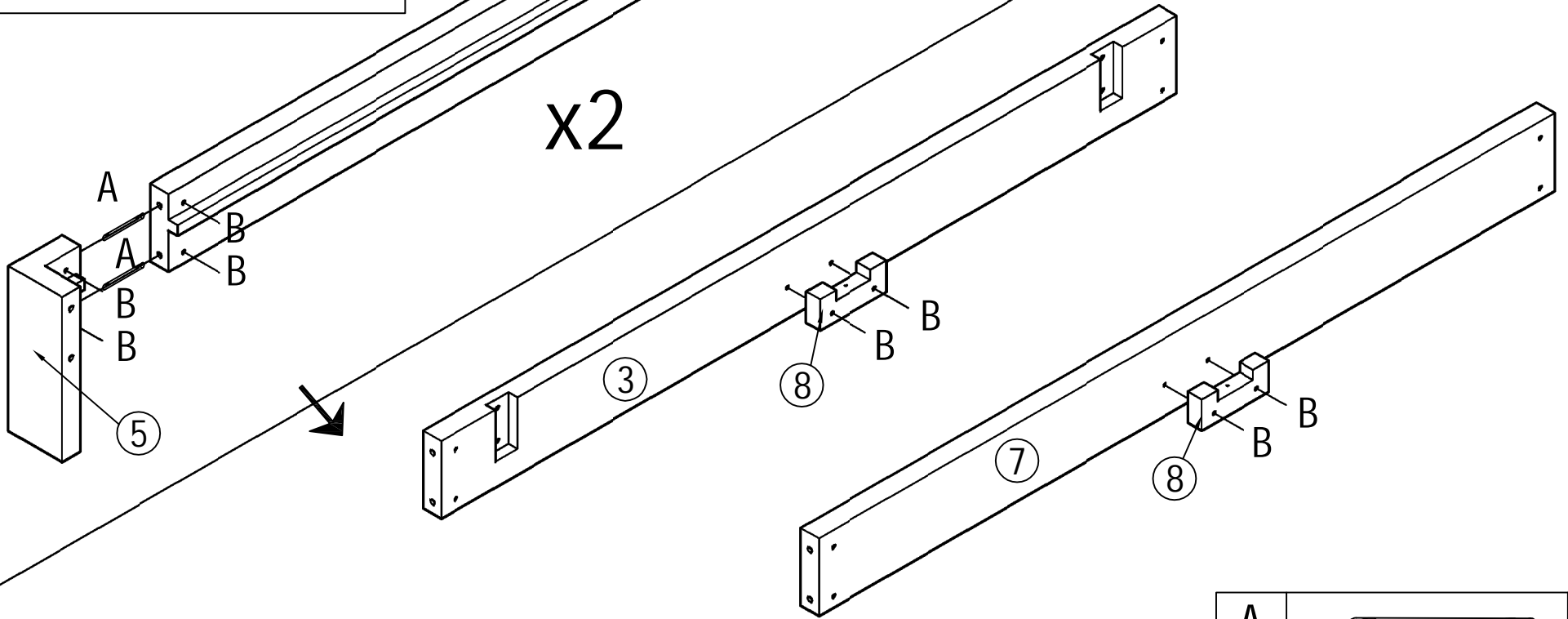
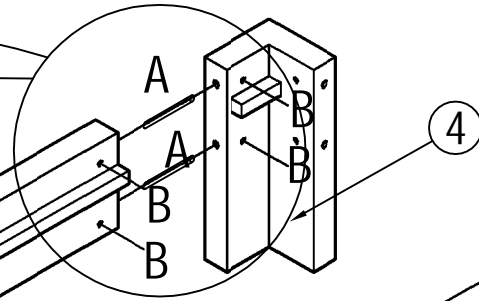
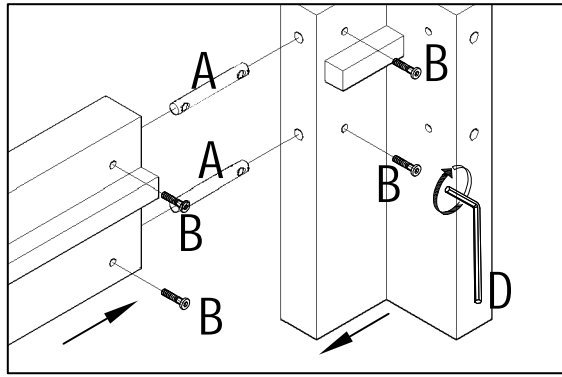
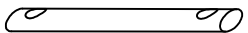
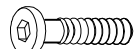
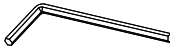


A	 M10*80MM	16	D		1
B	 M6*30MM	40	E	 M8*20MM	4
C	 7*60MM	2	F	 3.5*30MM	16

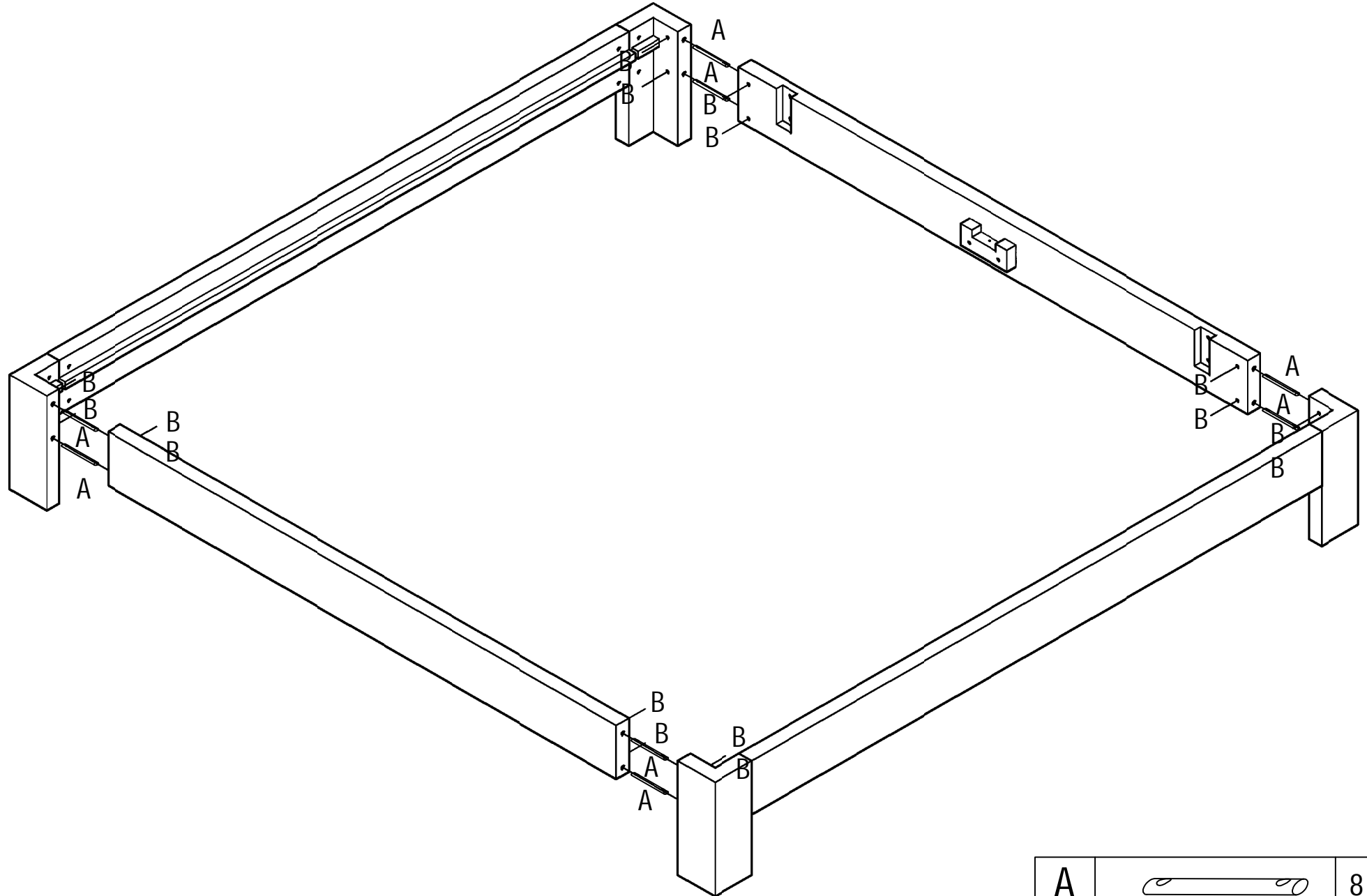


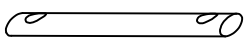
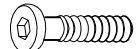
1



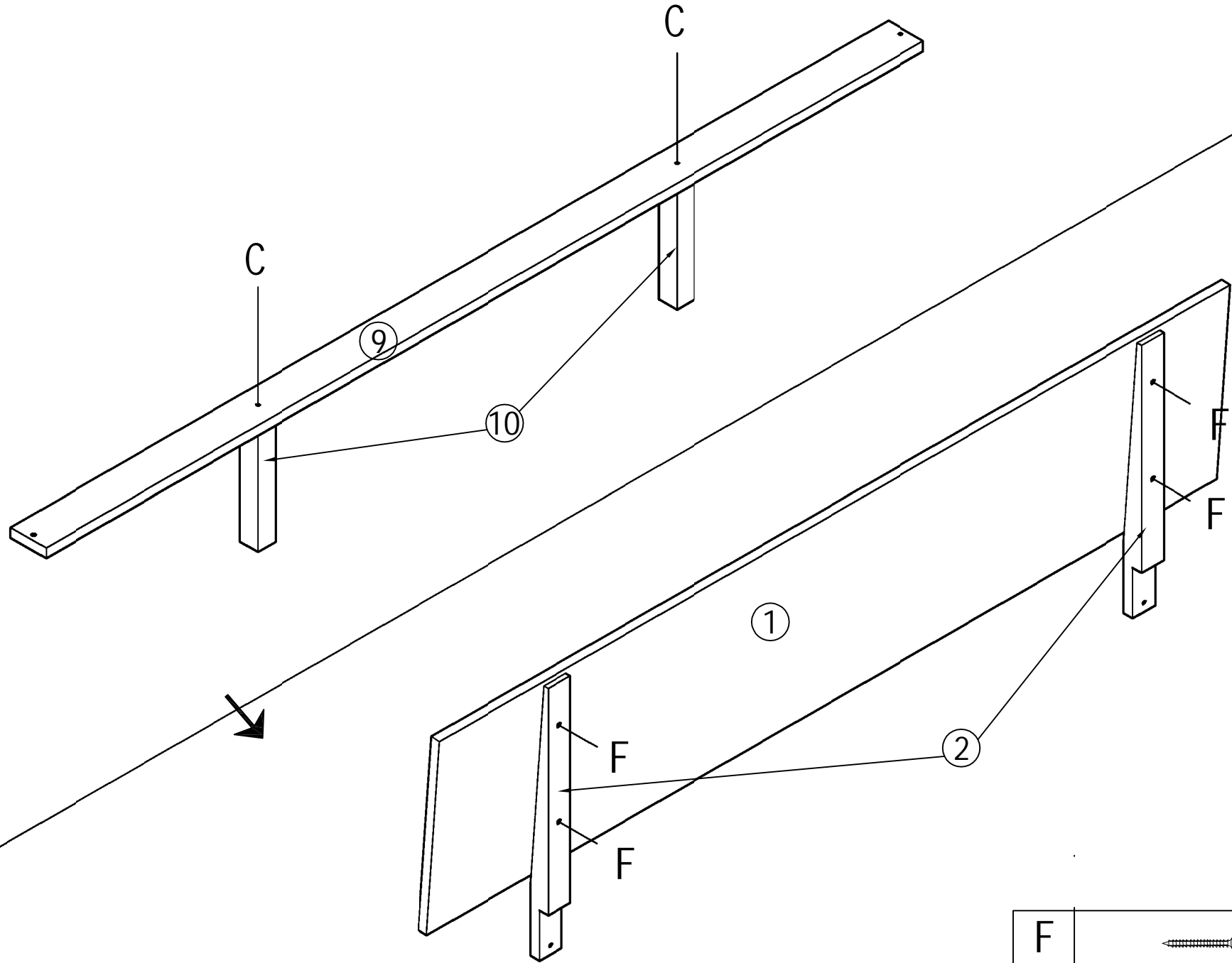
A		8
B		20
D		1



2



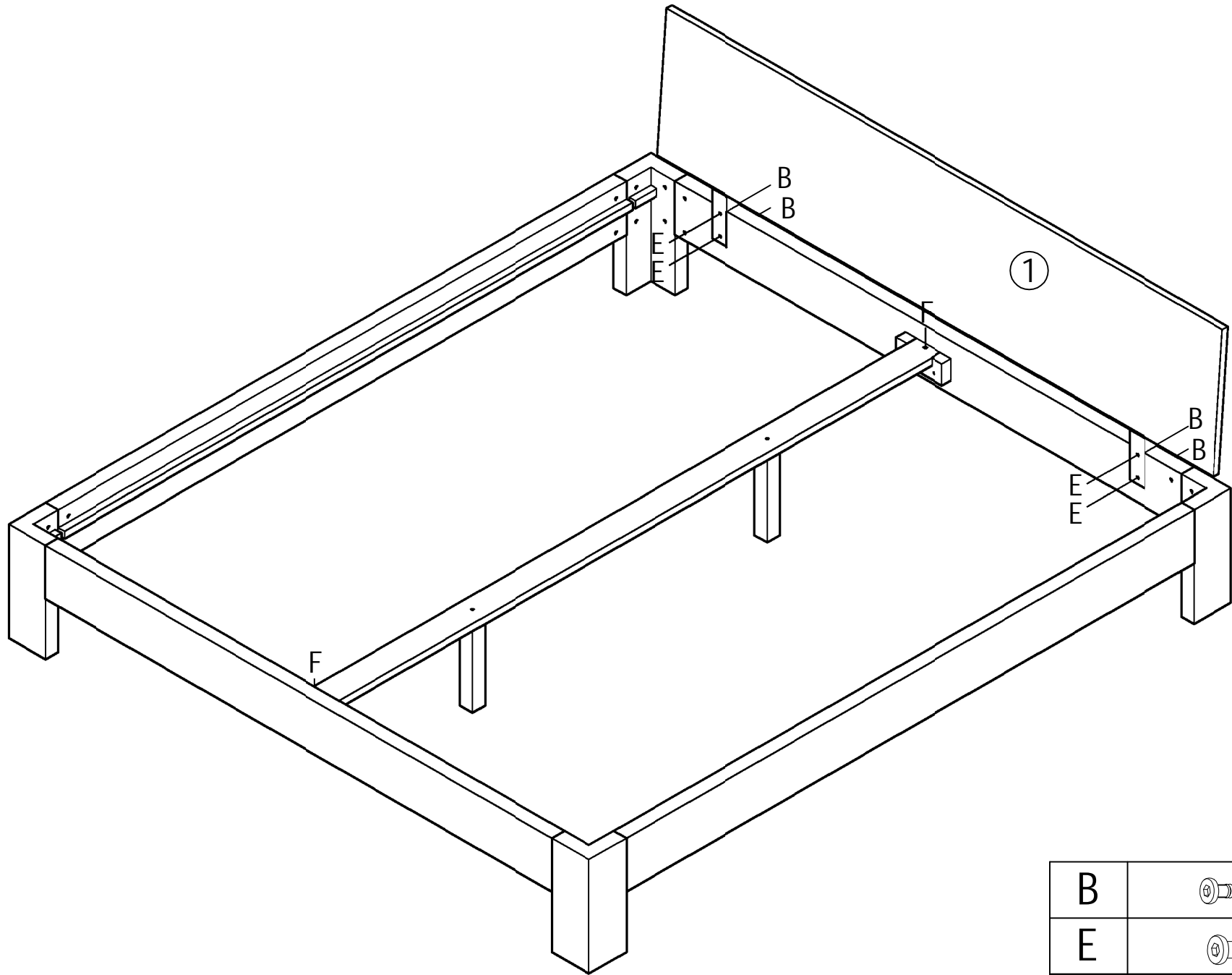
A		8
B		16



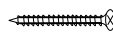
3



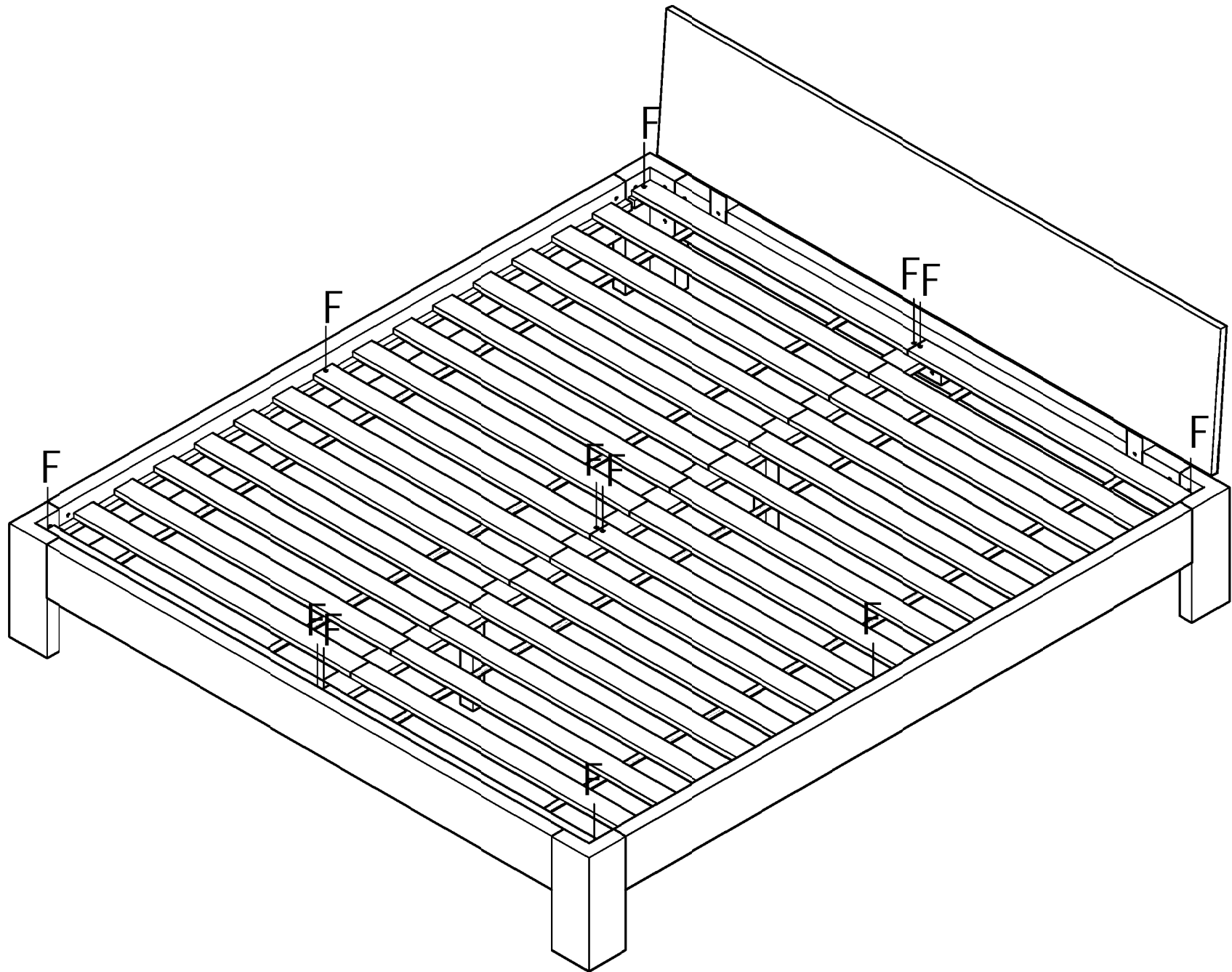
F		4
C		2

4



B		4
E		4
F		2

5



F		12
---	---	----