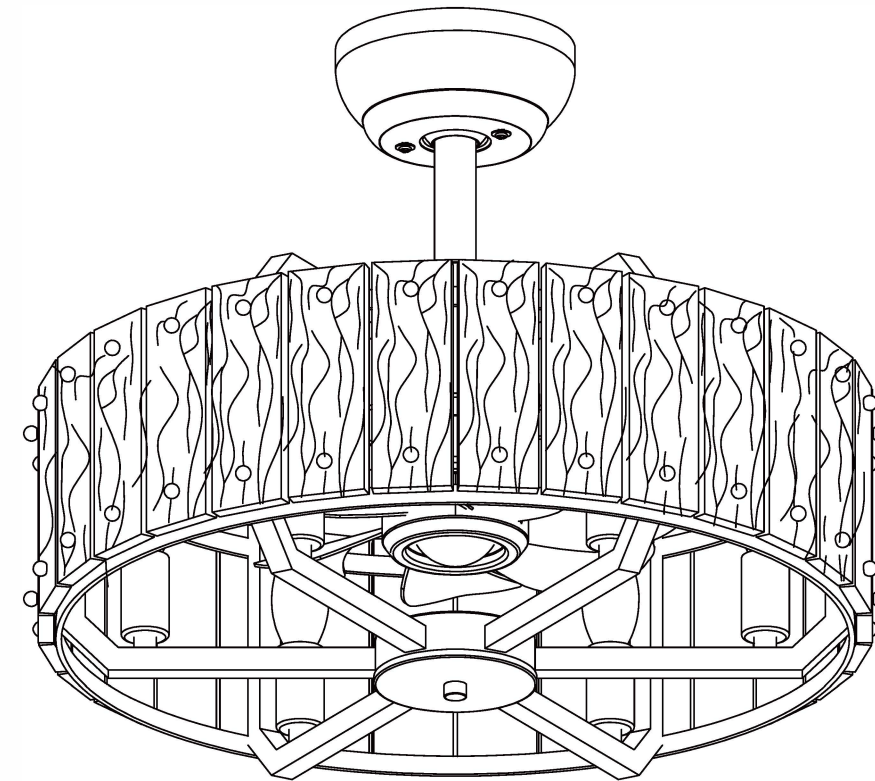


INSTALLATION MANUAL

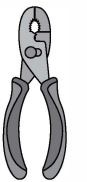
CEILING FAN WITH LIGHTS



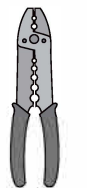
TOOLS REQUIRED



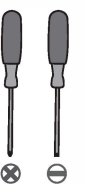
Ladder



Pliers

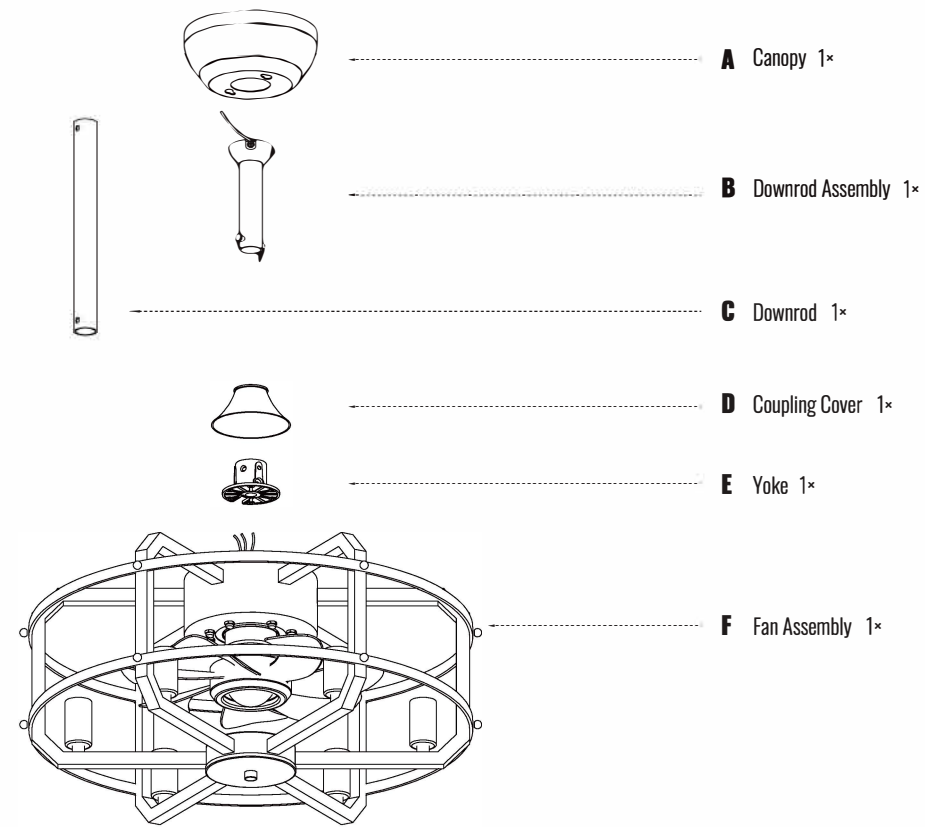


Wire
Strippers



Screwdrivers

PACKING LIST



INSTALLATION KIT

AA Mounting Bracket 1x	BB Wire Nut 3x	CC Outlet Box Screw 2x	DD Clevis Pin 1x	EE "R" Pin 1x	FF Set Screw 8x
GG Wood Screw 2x	HH Hex Nut 60x	II Long Fixed Screw 12x	JJ Short Fixed Screw 48x	KK Glass 30x	LL Silicon Washer 60x
MM Dome Nut 60x	NN Canopy Screw 2x	OO Remote Holder Screw 2x	PP Remote Control 1x	QQ Remote Holder 1x	RR Gloves 1x

NOTE:

1. The glass parts (KK) are fragile and spare parts are included.
2. Parts "DD, EE" have already been installed with downrod assembly (B). They need to be disassembled before installation.
3. 12 sets of "HH, II, LL, MM" have already been installed on the fan assembly (F). You must loosen them before installation.
4. Canopy screws (NN) have already been installed with mounting bracket (AA).
5. 2 pcs of set screw (FF) have already been installed with yoke (E).
6. The light bulbs are not included in the packing list.
7. Remote control requires alkaline battery AAA 1.5V*2pcs (not included).

INSTALLATION

1. Assemble the Fan

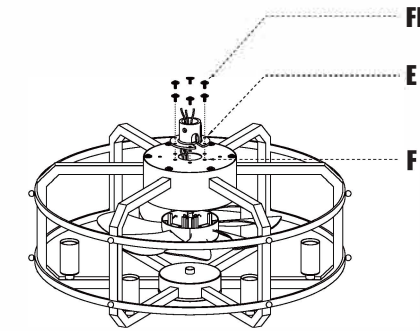


Fig. 1

Attach the yoke (E) onto the fan assembly (F) with set screws (FF).

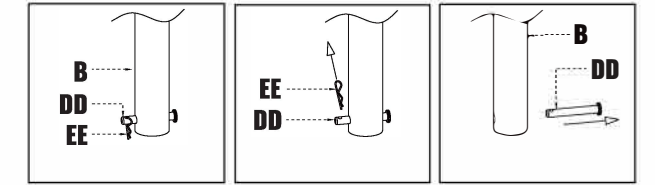


Fig. 2

Remove the "R" pin (EE) and clevis pin (DD) from the downrod assembly (B).

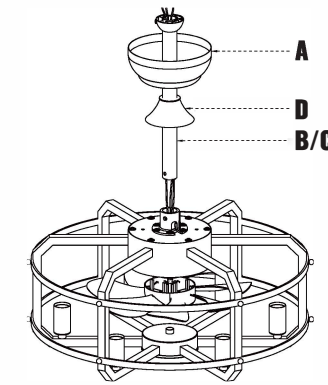


Fig. 3

Assemble the canopy (A) and coupling cover (D). Route wires from the fan through the downrod (B/C).

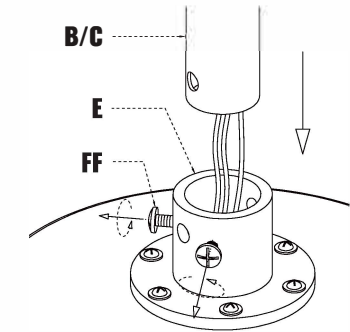


Fig. 4

Loosen the set screws (FF) from the yoke (E) but do not take off. Align the holes at the bottom of the downrod (B/C) with those in the yoke (E).

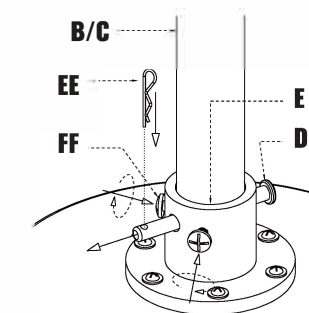


Fig. 5

Carefully insert the clevis pin (DD) through the holes in the yoke (E) and downrod (B/C). (Be careful not to jam the clevis pin against the wires inside the downrod). Insert the "R" pin (EE) into the end of the clevis pin (DD). Tighten the set screws (FF) on the yoke (E) to secure the downrod.

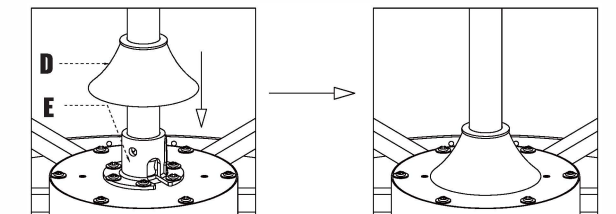


Fig. 6

Fit the coupling cover (D) onto the yoke (E).

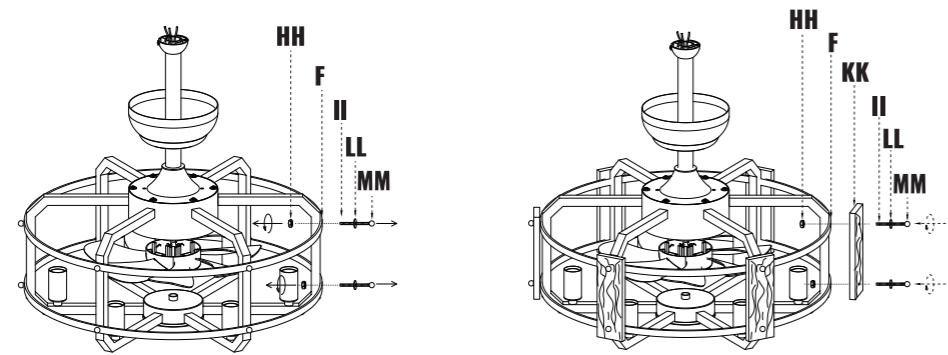


Fig. 7

Loosen the screws on the fan assembly (F). Attach 6 pieces of glass (KK) to the frame arms with screws taken off.

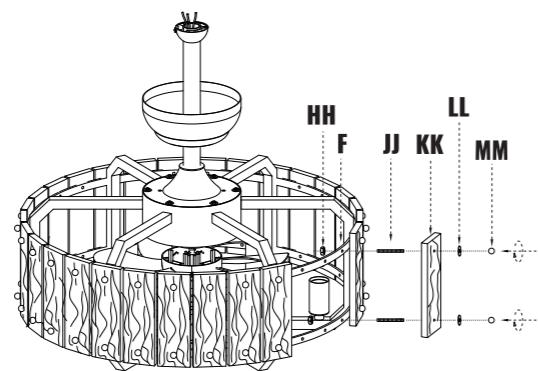
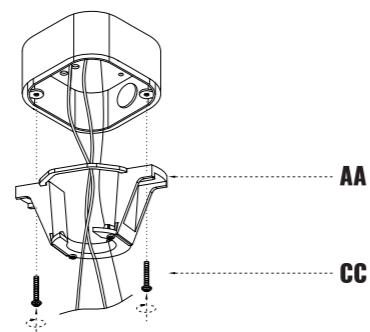


Fig. 8

Screw the short fixed screws (JJ) into the dome nuts (MM), and fit the silicon washers (LL) onto them.

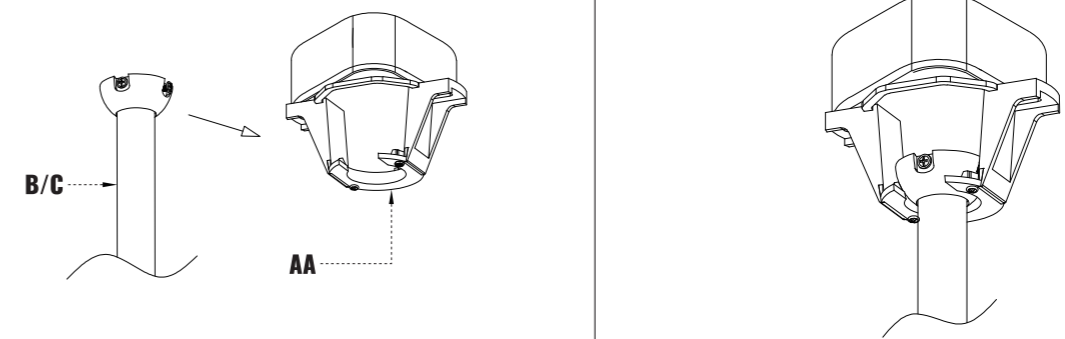
Attach the other pieces of glass (KK) to the fan assembly (F) with screws assembled earlier and hex nuts (HH) provided.

2. Mount the Bracket



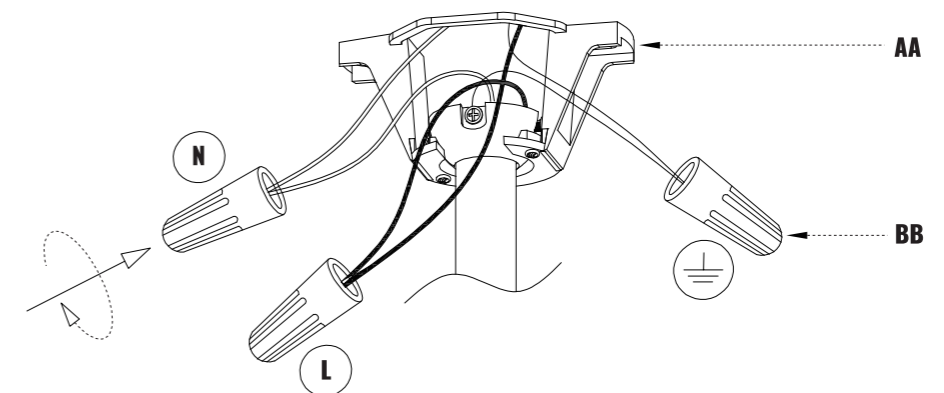
Take off the screws from outlet box, attach the mounting bracket (AA) to the box with screws taken off or provided (CC).

3. Hang the Fan



Lift the downrod (B/C) into the mounting bracket (AA). Rotate the downrod until the tab in the mounting bracket is seated in the fixation slot in the downrod ball.

4. Connect the Wires



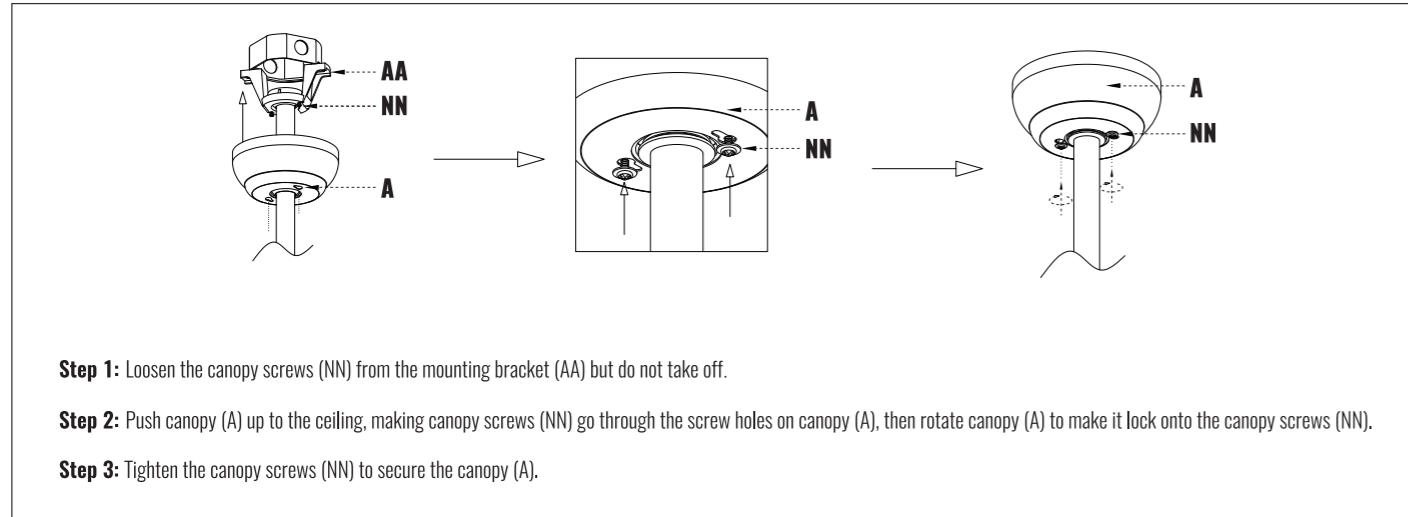
Step 1: Connect the wires from the fan to the house supply wires with wire nuts (BB), ground wire (green, green/yellow, or bare copper) to ground wire, neutral wire (white) to neutral wire, and hot wire (black) to hot wire. Wrap the connection with electrical tape.

Step 2: Spread apart the wires so that the hot wires are on one side of the outlet box and the neutral wires are on the other side.

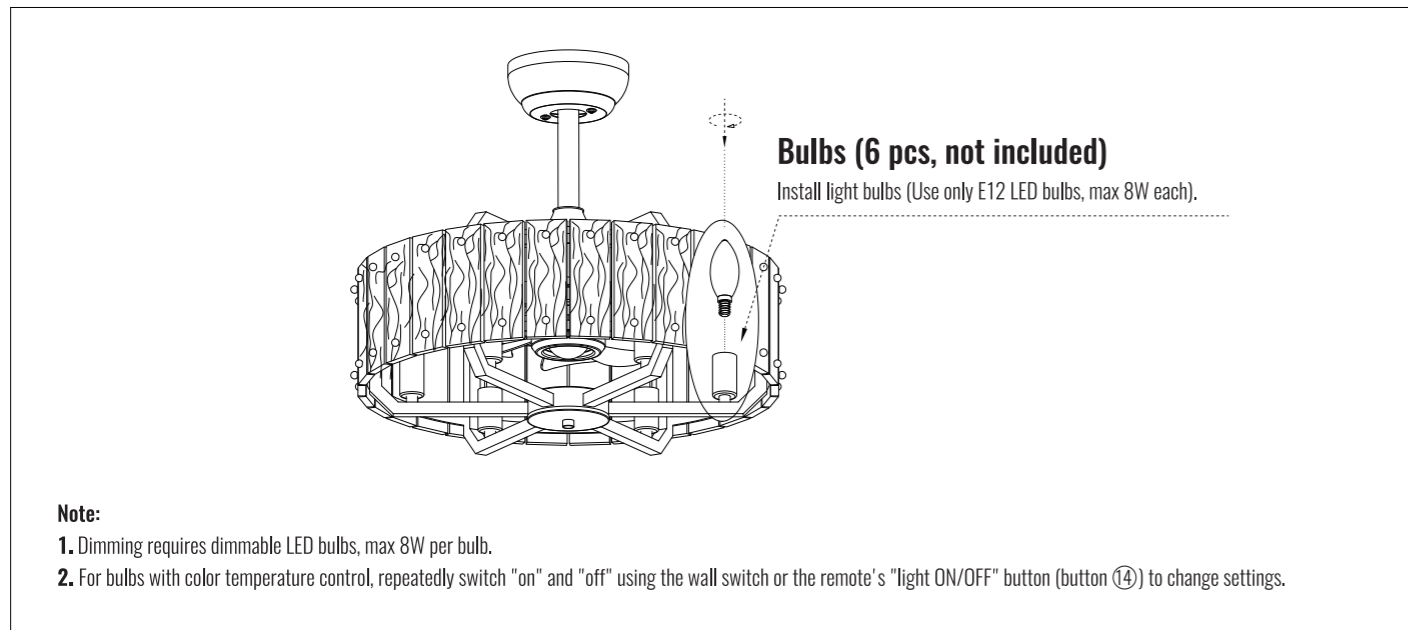
Note:

This fan only needs one set of input wires (black, white, and Ground wire). Both of the fan and lights will be controlled by the remote controller. This fan can only be connected to an on/off switch if you have one, not a dimmer switch.

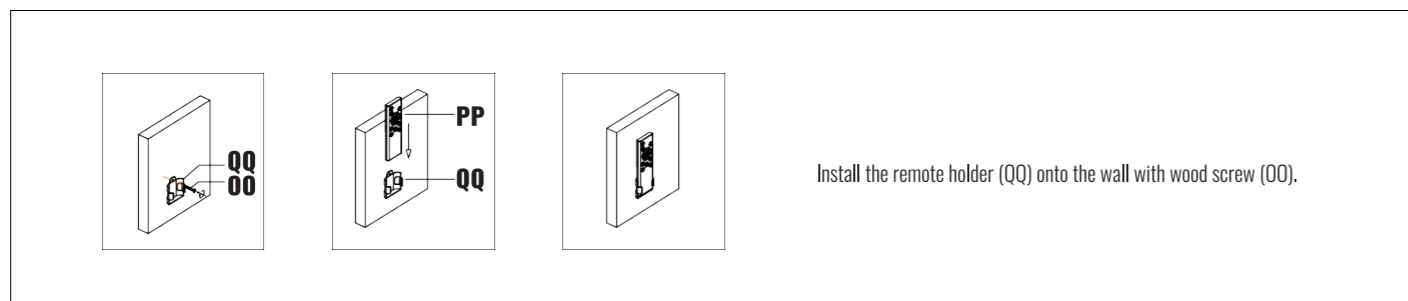
5. Fix the Canopy



6. Install Bulbs



REMOTE CONTROL INSTRUCTIONS



REMOTE CONTROL INSTRUCTIONS

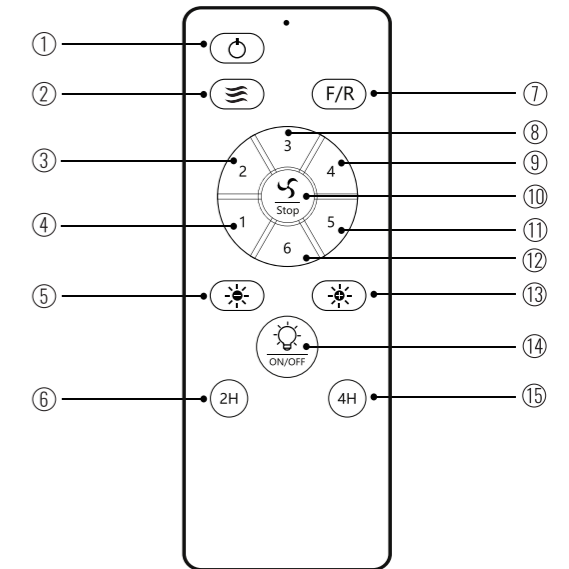
- Turn off the fan and lights.
- Natural wind of the fan, fan speed will change automatically when use this function.
- 4 8 9 11 12 1/2/3/4/5/6 for fan speeds.
- 13 Press +/- to change the brightness of the light.
- 15 2H/4H for timing the fan.
- "F" refers forward fan direction. "R" refers reverse the fan.
- Turn off the fan.
- Turn on/off the lights.

REMOTE SIGNAL PAIRING:

If the remote control loses signal with the fan, turn off the power from the wall switch, then turn it back on, immediately press button 14 for around 3 seconds. After the fixture beeps or flashes, the reconnection is complete.

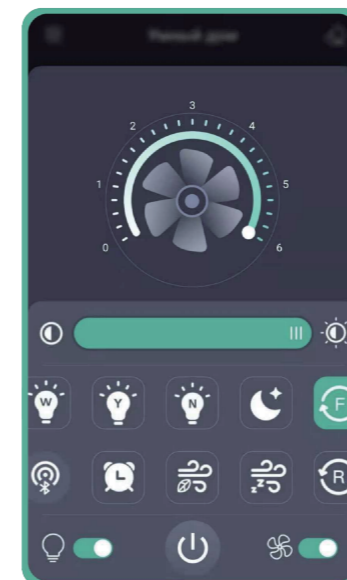
NOTE:

Please insert 2 batteries before using. AAA 1.5V battery x 2pcs (not included)



APP CONTROL INSTRUCTIONS

Install the "FanLamp Pro" app from Google Play, Apple App Store, or other app stores by scanning the QR code or searching for the app name. Ensure that your phone is connected to the internet and Bluetooth enabled.



- Pairing: Click the Pair button within 5 seconds after turning on the fan from the wall switch. Once the fan flashes or beeps, it has been successfully paired with your phone and can now be controlled through the app.
- Slide the slider to change the fan speed.
- Slide the slider to change the brightness of the light.
- Quick switch for "White" light color. (Not supported)
- Quick switch for "Yellow" light color. (Not supported)
- Quick switch for "Natural" light color. (Not supported)
- Night mode: Dim the lights. (Not supported)
- Fan moves forward.
- Fan moves reverse.
- Change the direction of the wind. (Not supported)
- Timing the fan.
- Natural wind: The fan speed will change automatically when you use this function.
- Sleeping wind. (Not supported)
- Turn on/off the light.
- Turn on/off the fan.
- Unpairing: Click the unpair button within 5 seconds after turning on the fan. Once the fan flashes or beeps, it has been successfully unpaired from your phone.