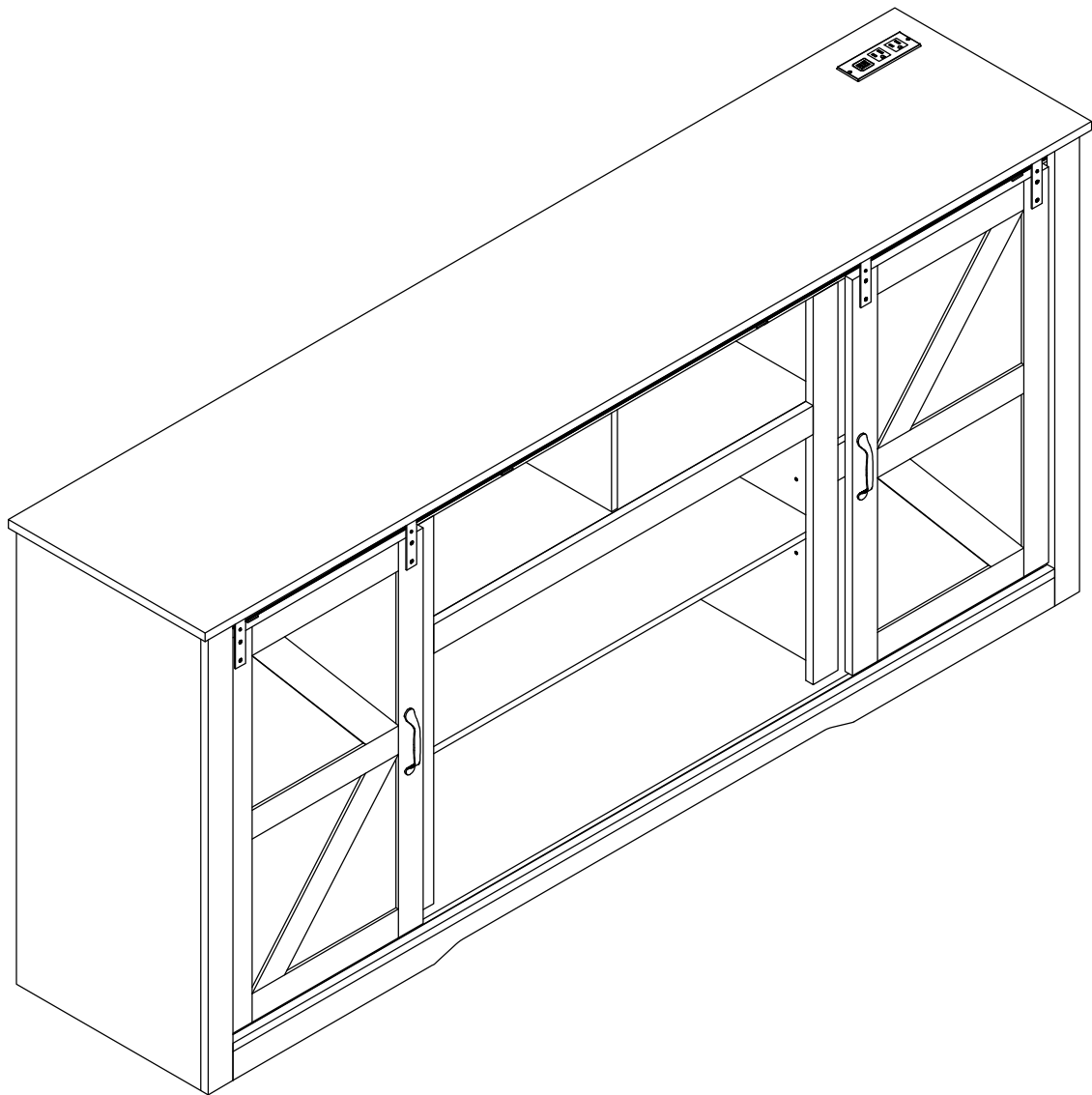
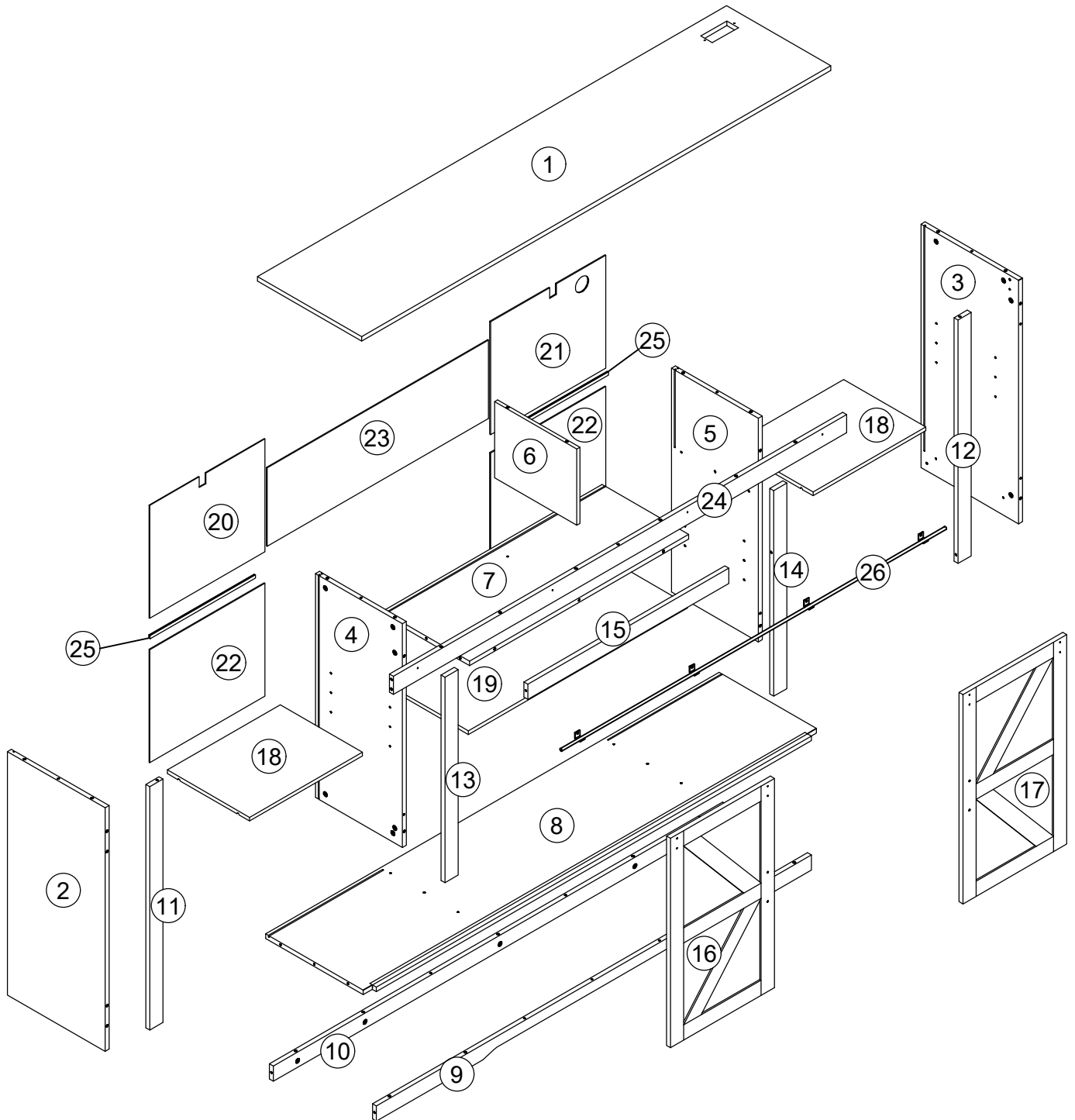


# TV Cabinet

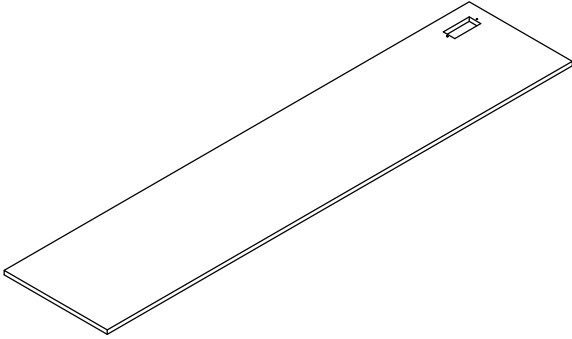


Support Email: [support@garvee.com](mailto:support@garvee.com)  
Customer Phone Service: +1 888 891 2855  
Mon - Fri from 9AM to 5PM (PST)

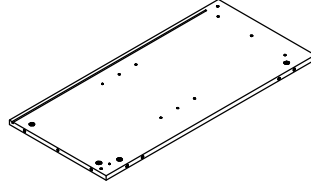
# Board Identification



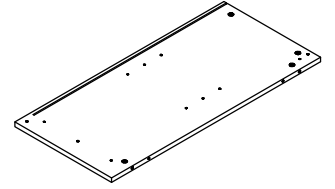
# PARTS LIST



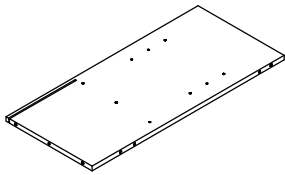
①



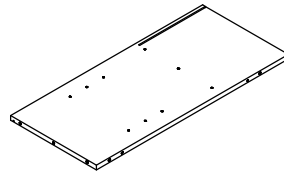
②



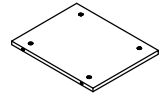
③



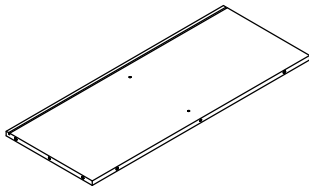
④



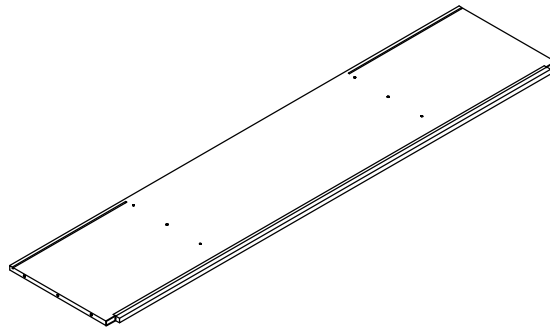
⑤



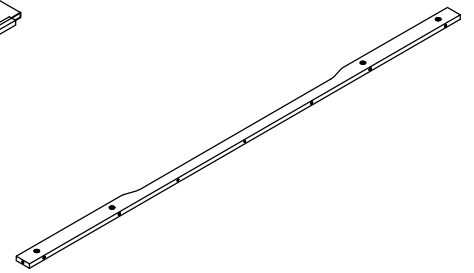
⑥



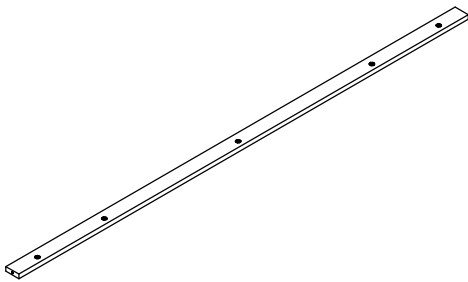
⑦



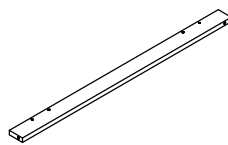
⑧



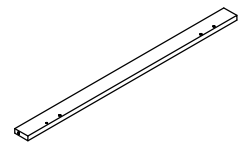
⑨



⑩

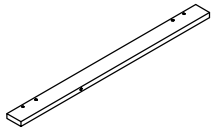


⑪

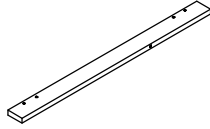


⑫

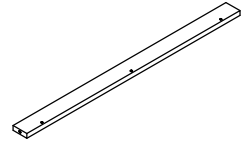
# PARTS LIST



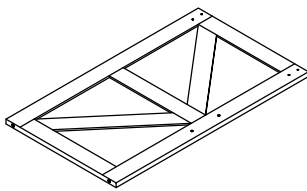
13



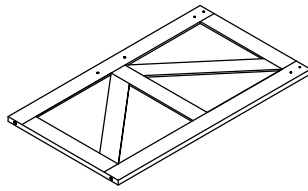
14



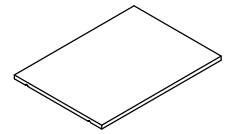
15



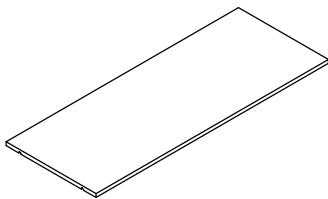
16



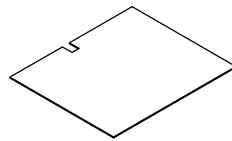
17



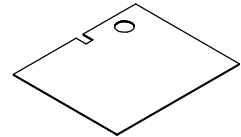
18 X2



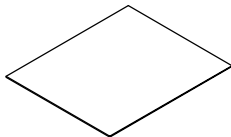
19



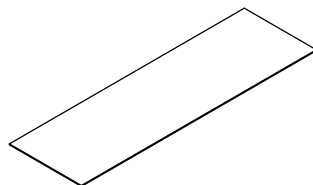
20



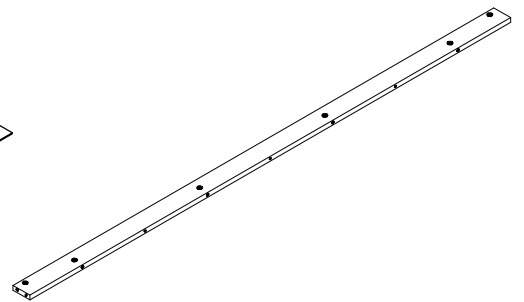
21



22 X2



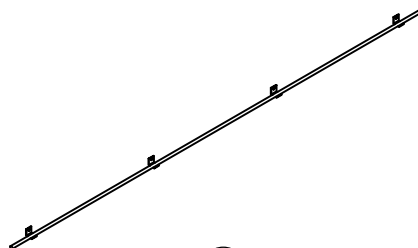
23



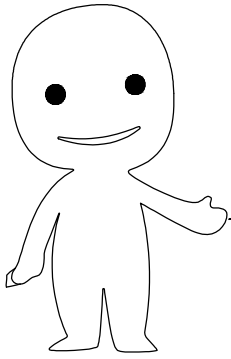
24



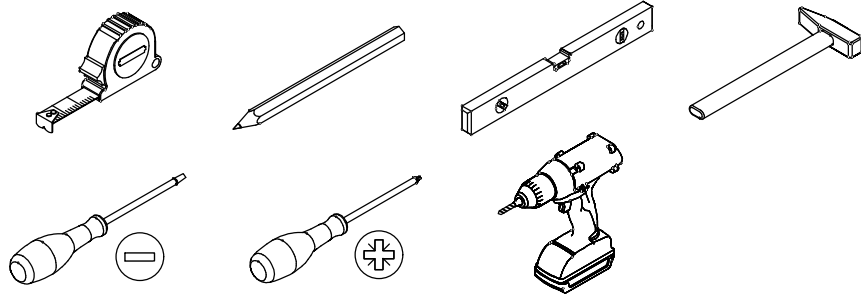
25 X2



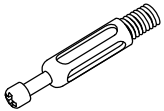
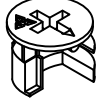


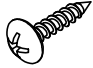
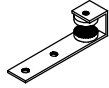
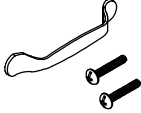
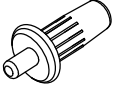


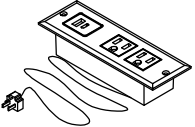
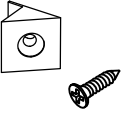
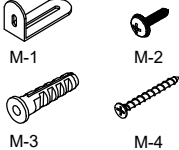
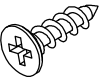

26

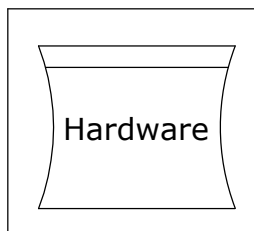


Please prepare the following tools

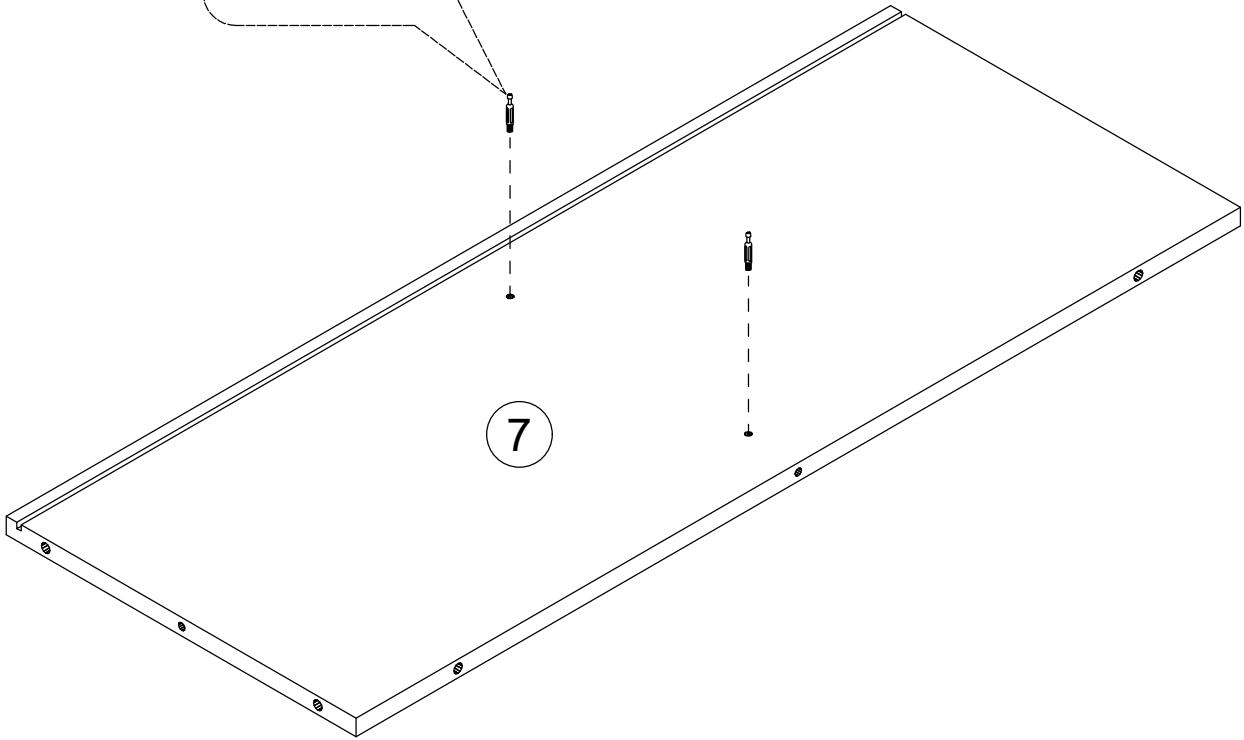
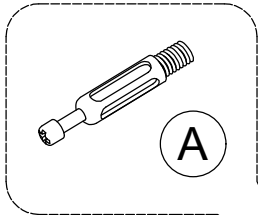
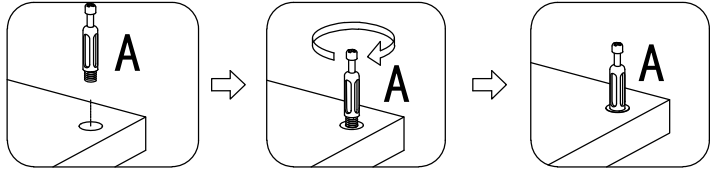


When installing, please carefully confirm whether each screw corresponds to the manual, accessories with similar shapes can be distinguished by size

A x 49 	B x 49  Ø15 x 9.5 mm	C x 1  Ø4 x 40 mm	D x 36  Ø6 x 30 mm	E x 12  Ø3.5 x 12 mm
F x 4 	G x 2 	H x 4 	I x 12 	J x 49 
K x 1 	L x 30 	M x 2  M-1 M-2 M-3 M-4	N x 2  Ø3.5 x 12 mm	O x 8  Ø13

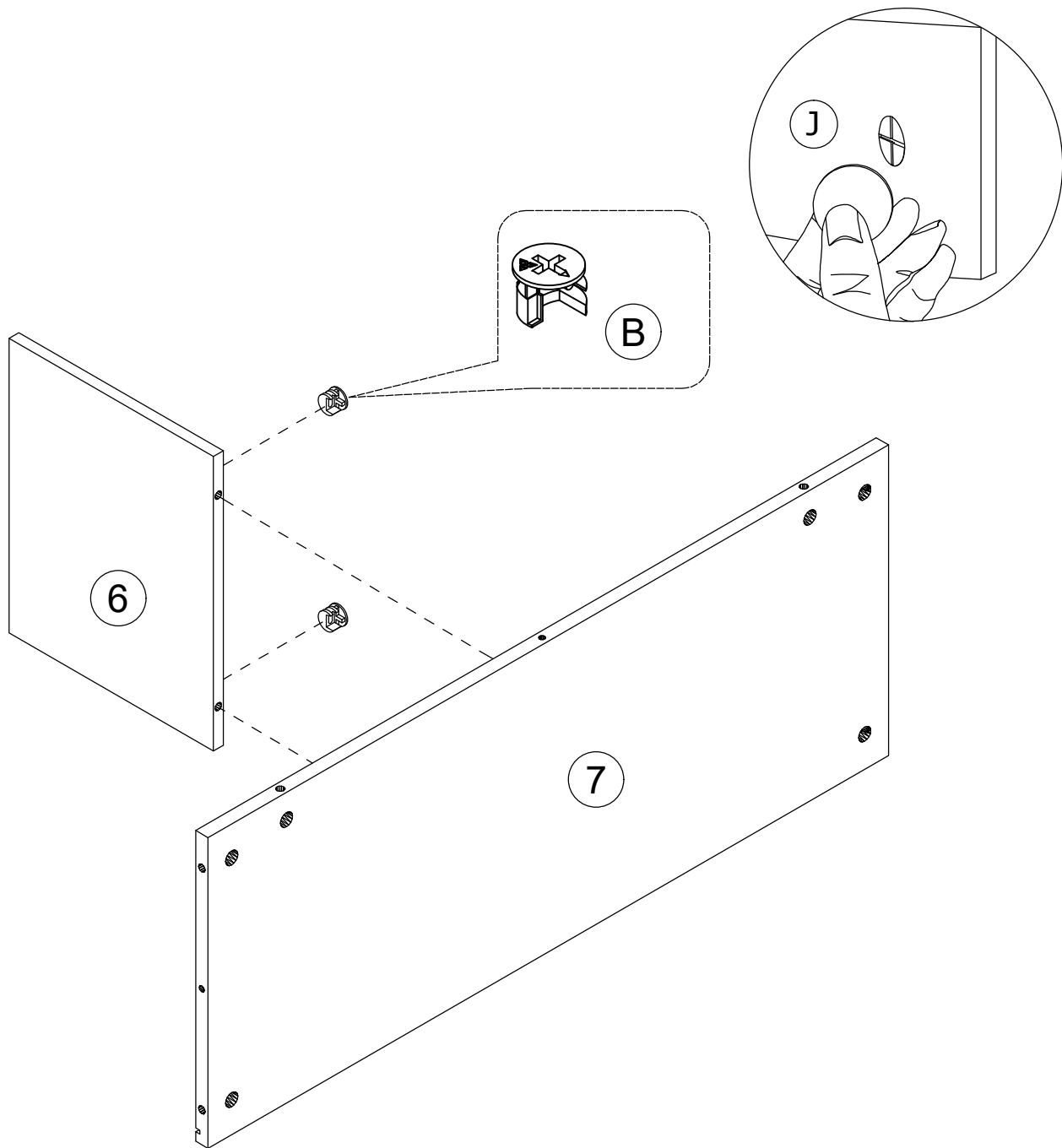
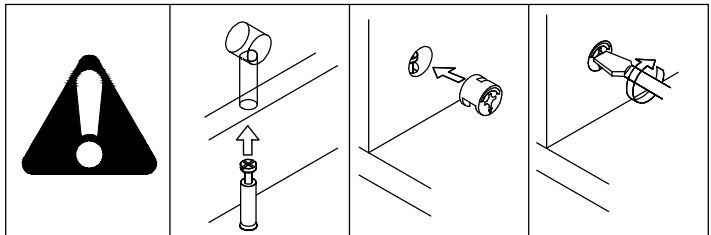


1

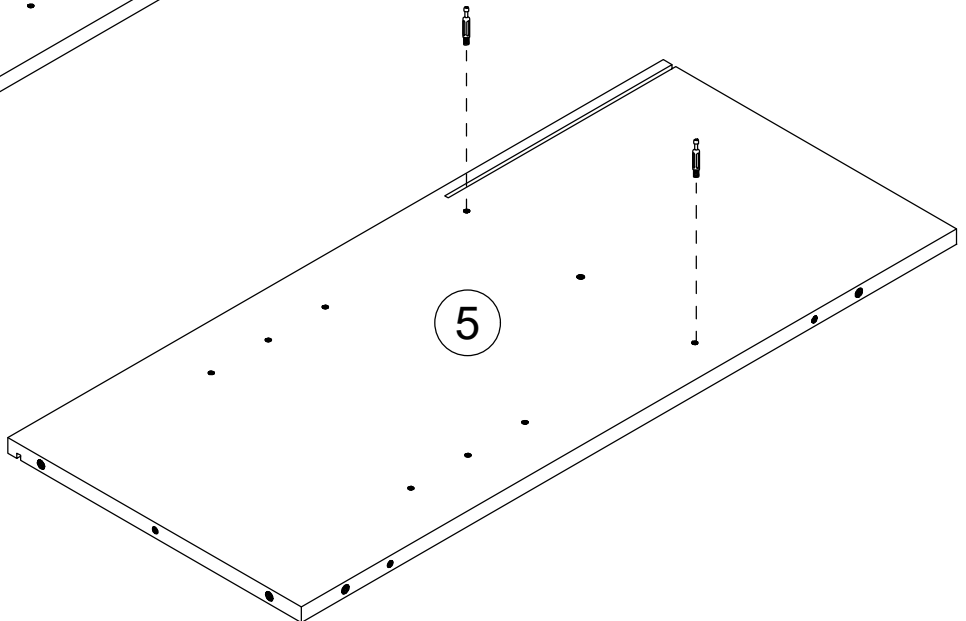
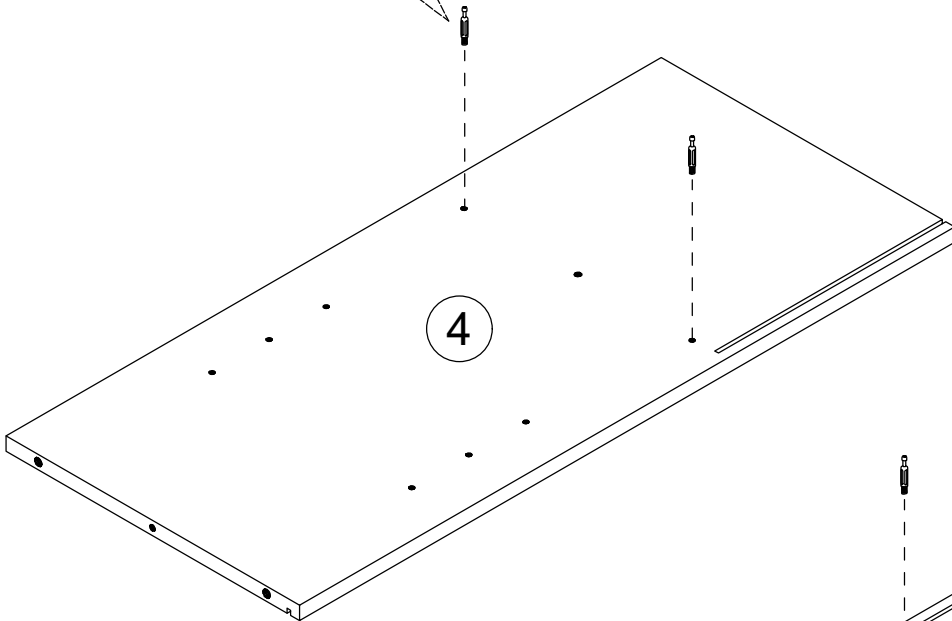
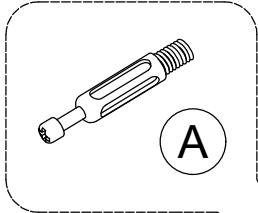
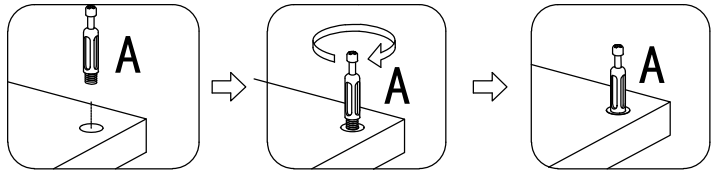
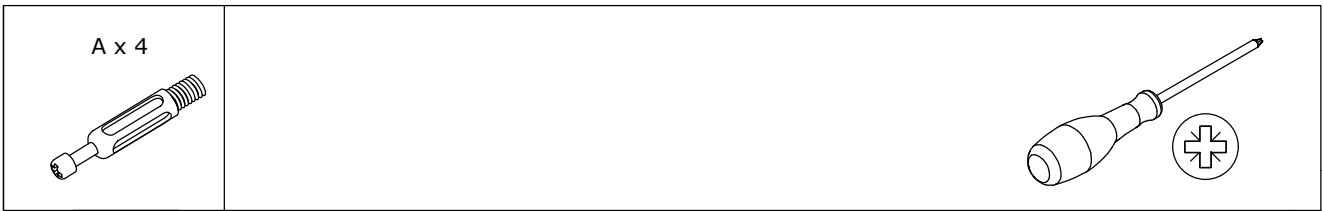


2

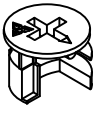
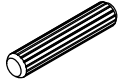

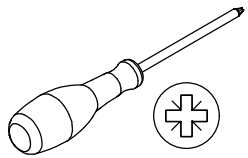
<p>B x 2</p> 	<p>J x 2</p> 	
--	--	--

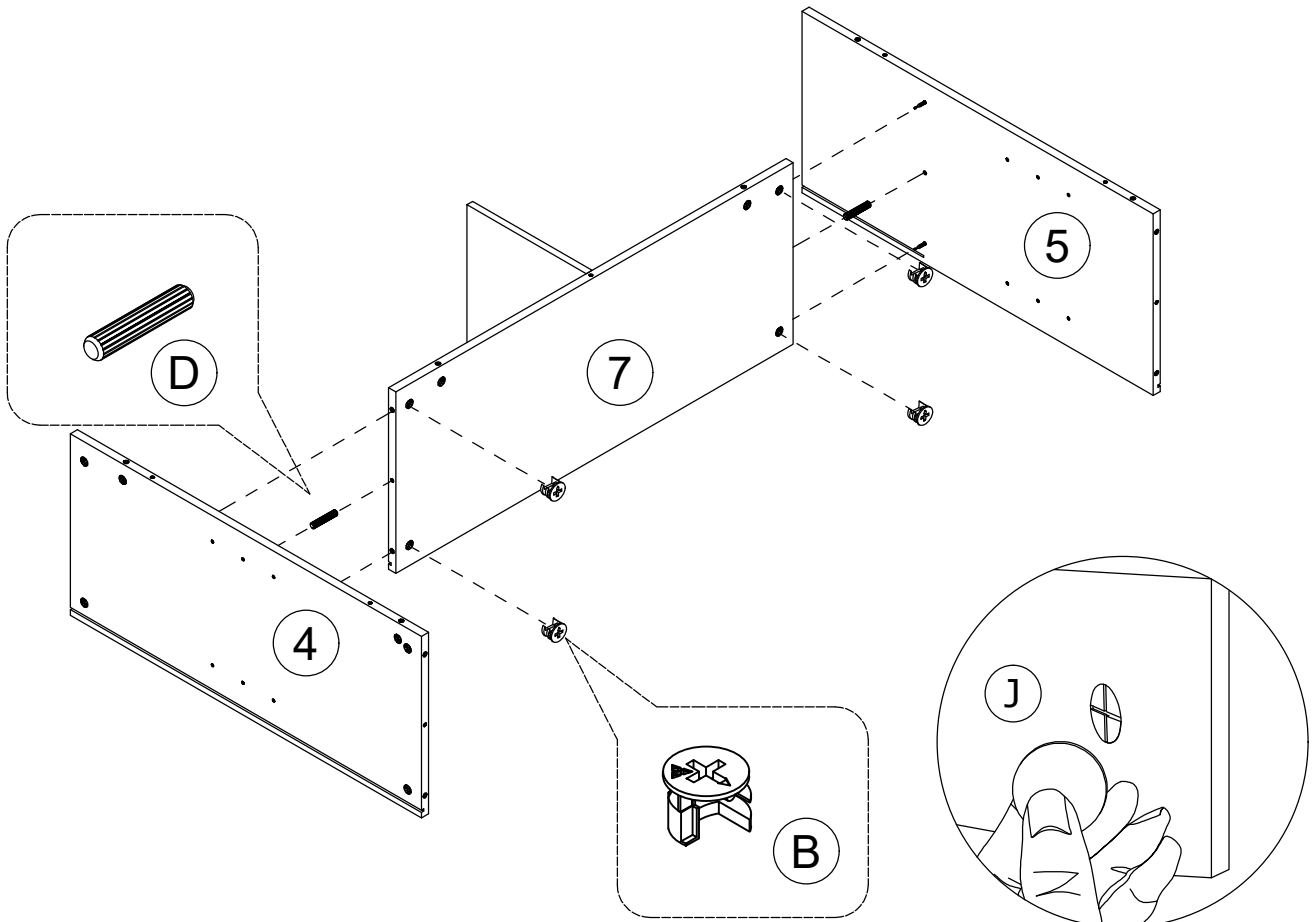
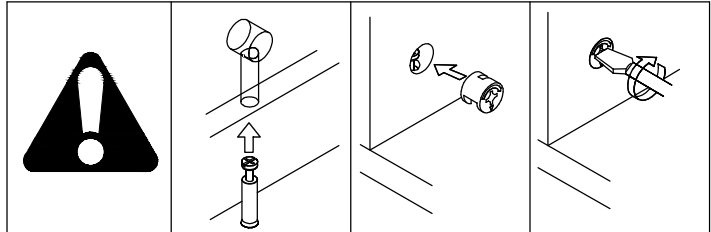
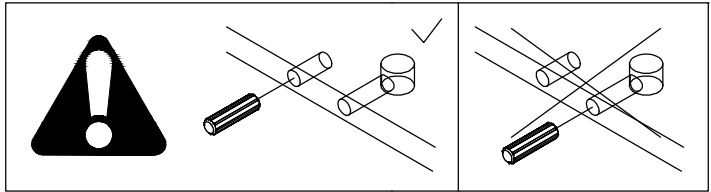


3

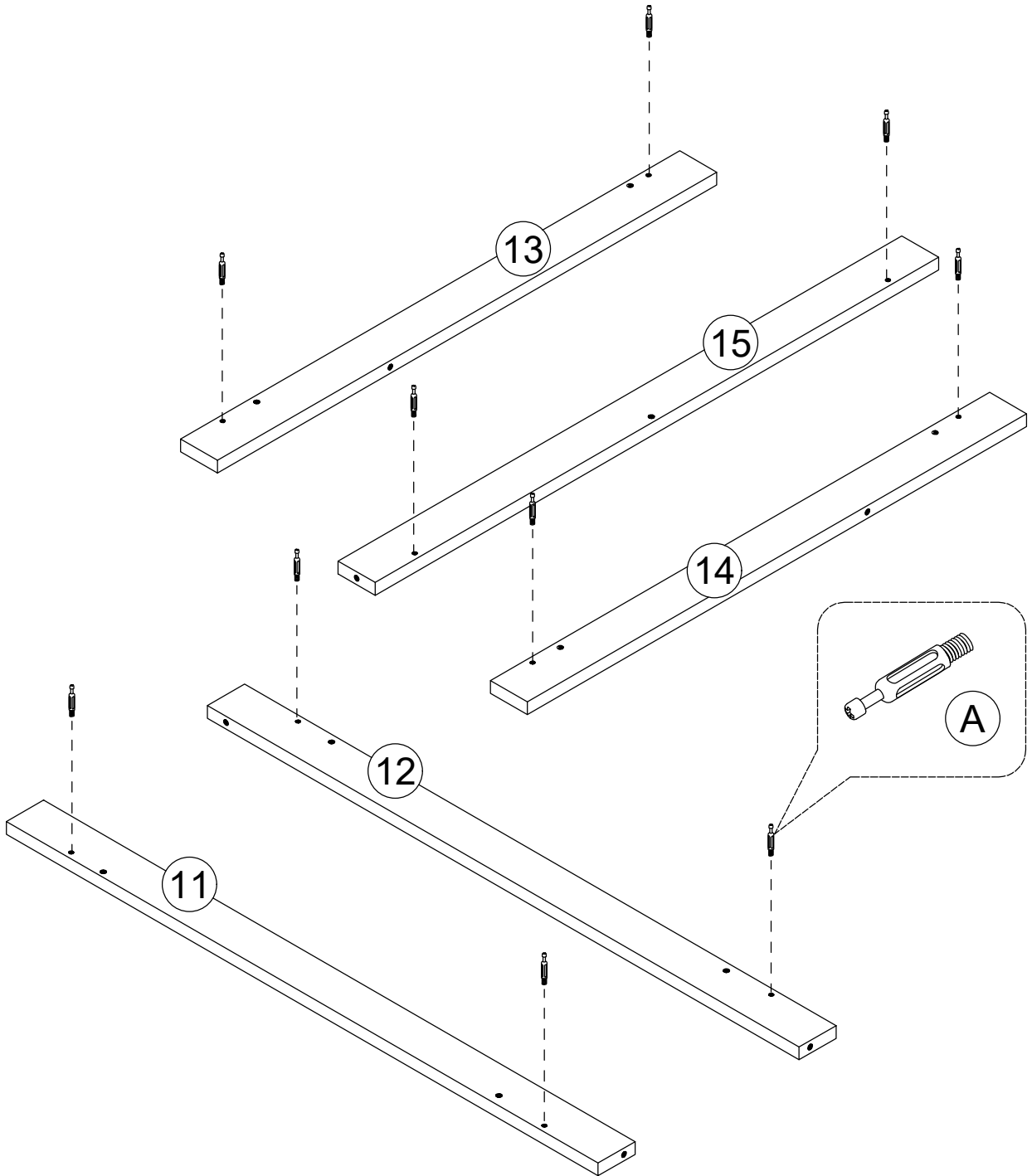
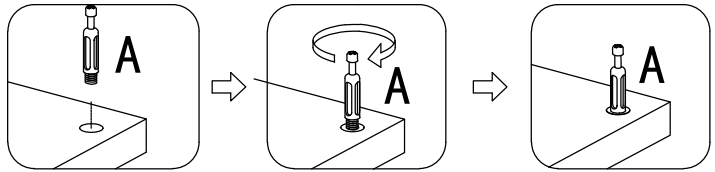
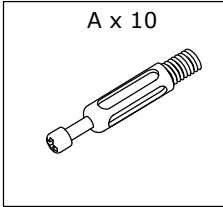


4

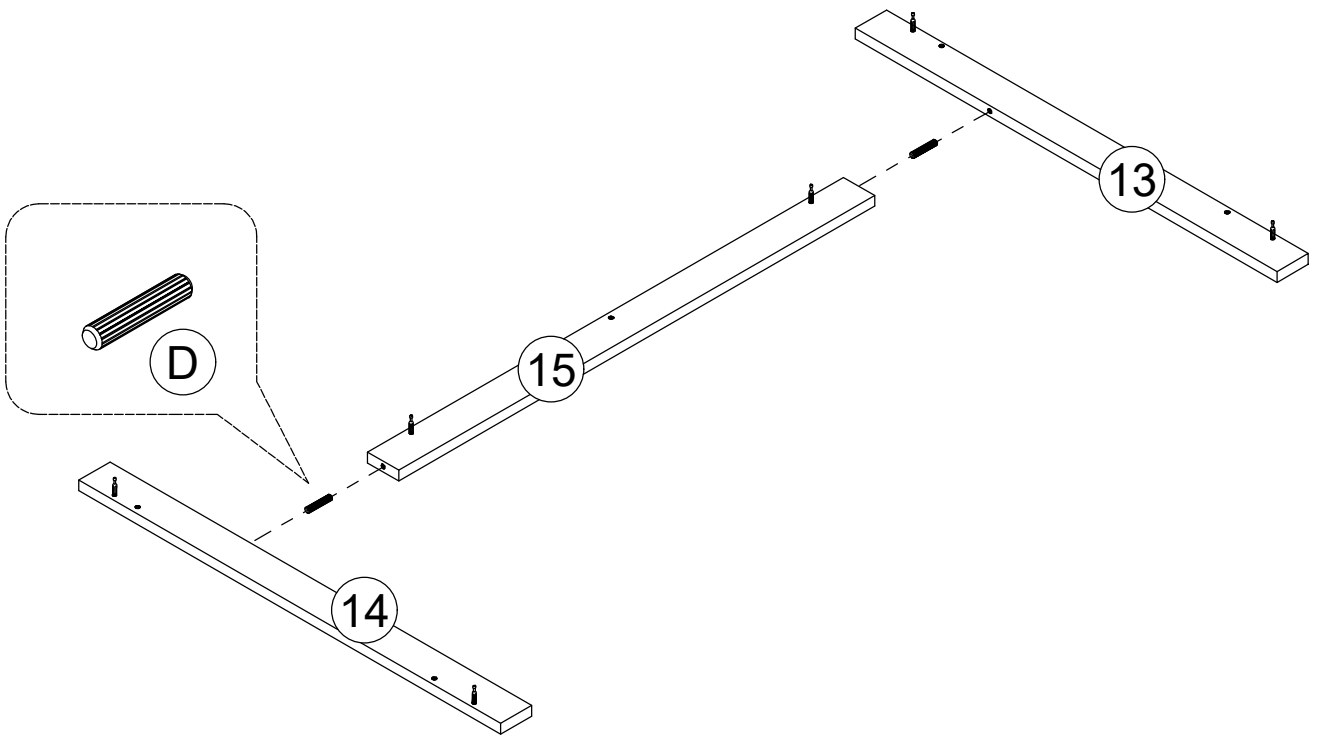
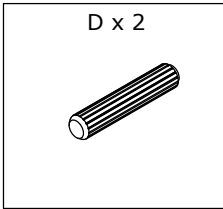
<p>B x 4</p> 	<p>D x 2</p> 	<p>J x 4</p> 	
--	--	--	--






5

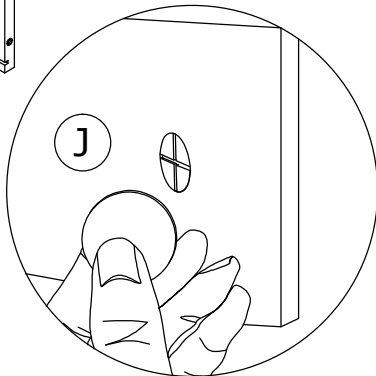
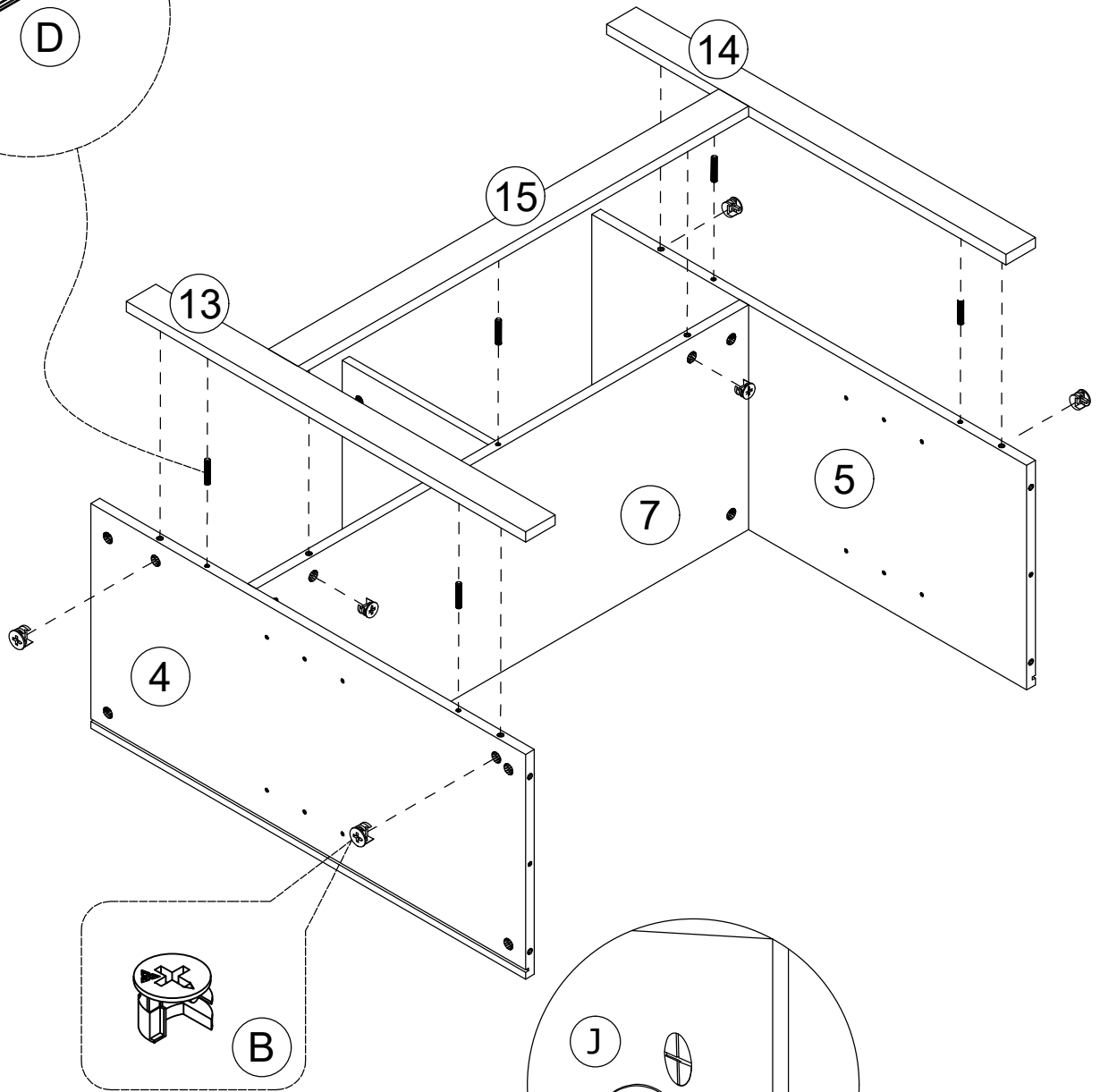
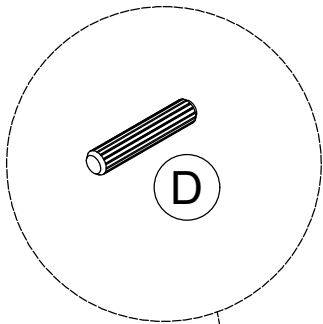
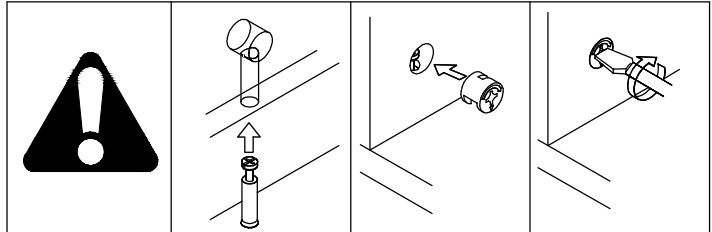
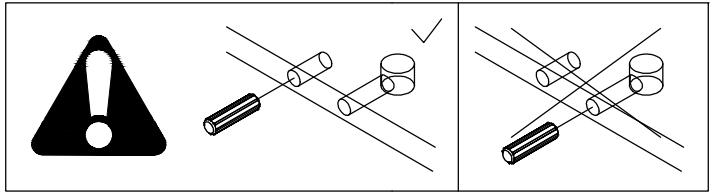


6

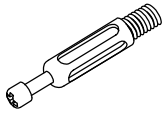

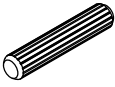



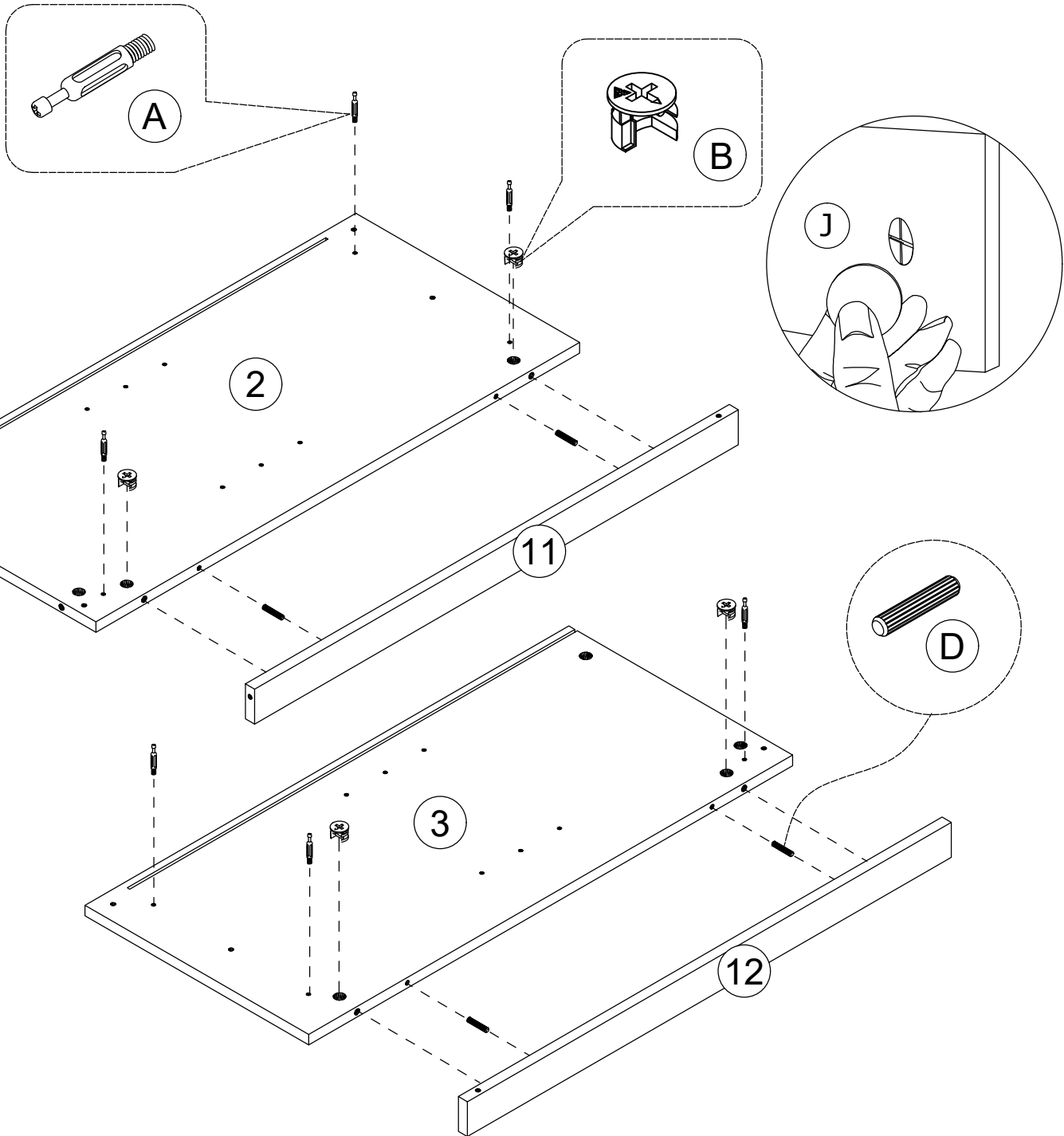
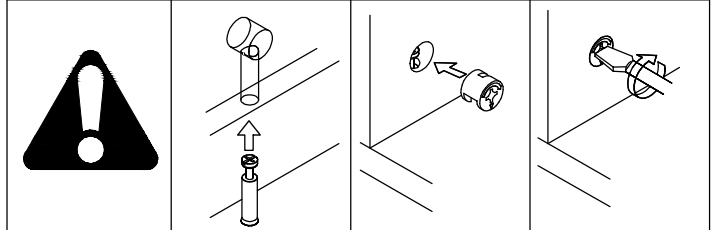
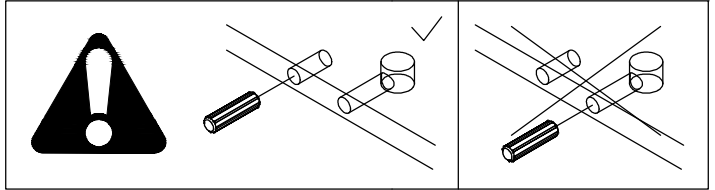
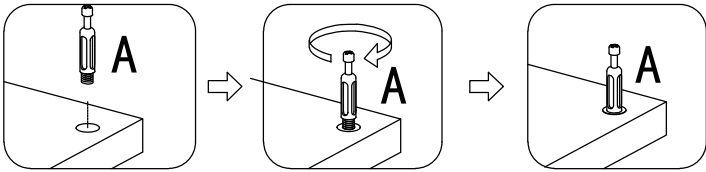
7

B x 6 	D x 5 	J x 6 	
--	--	--	--

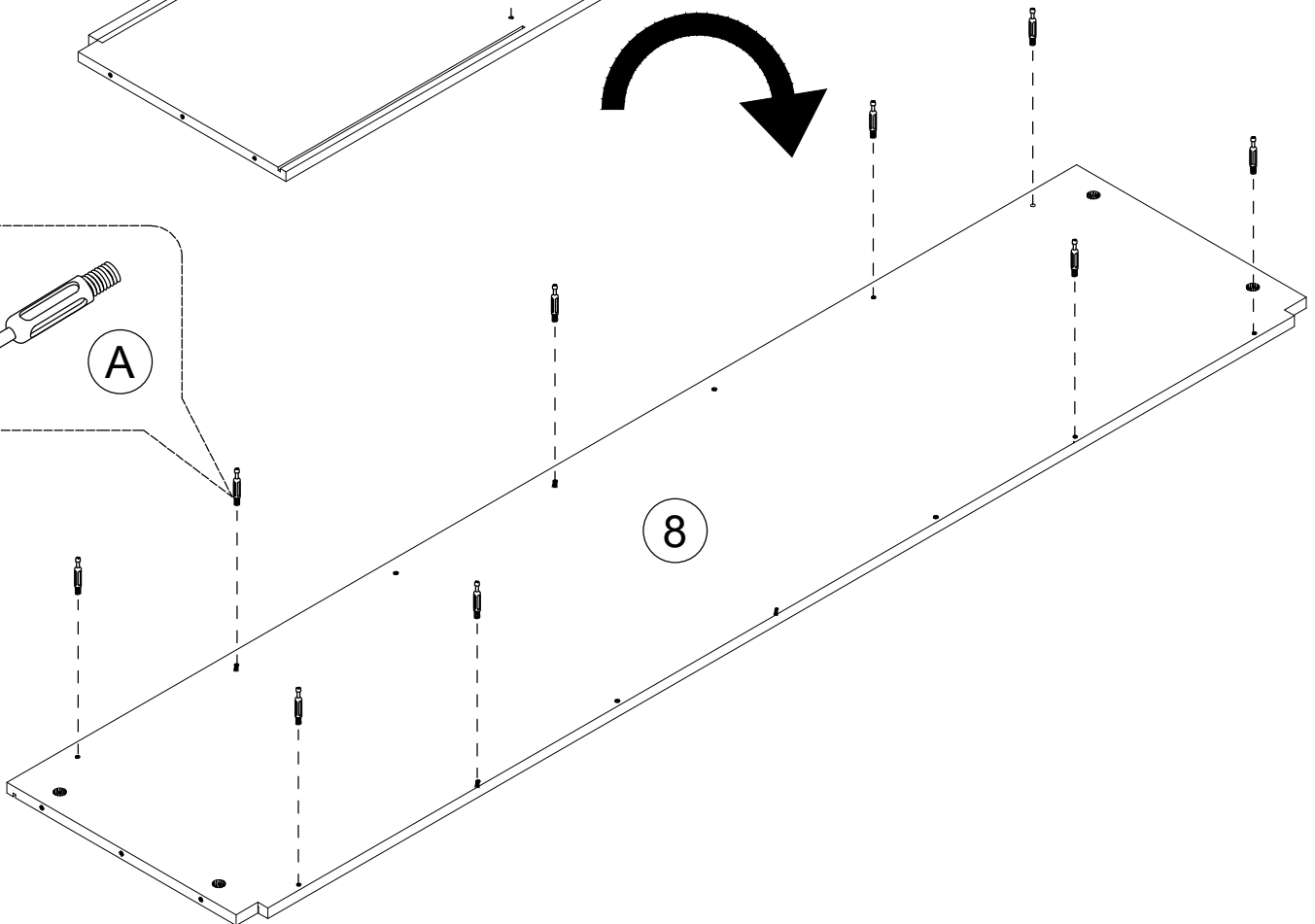
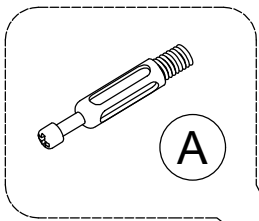
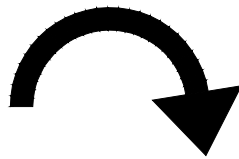
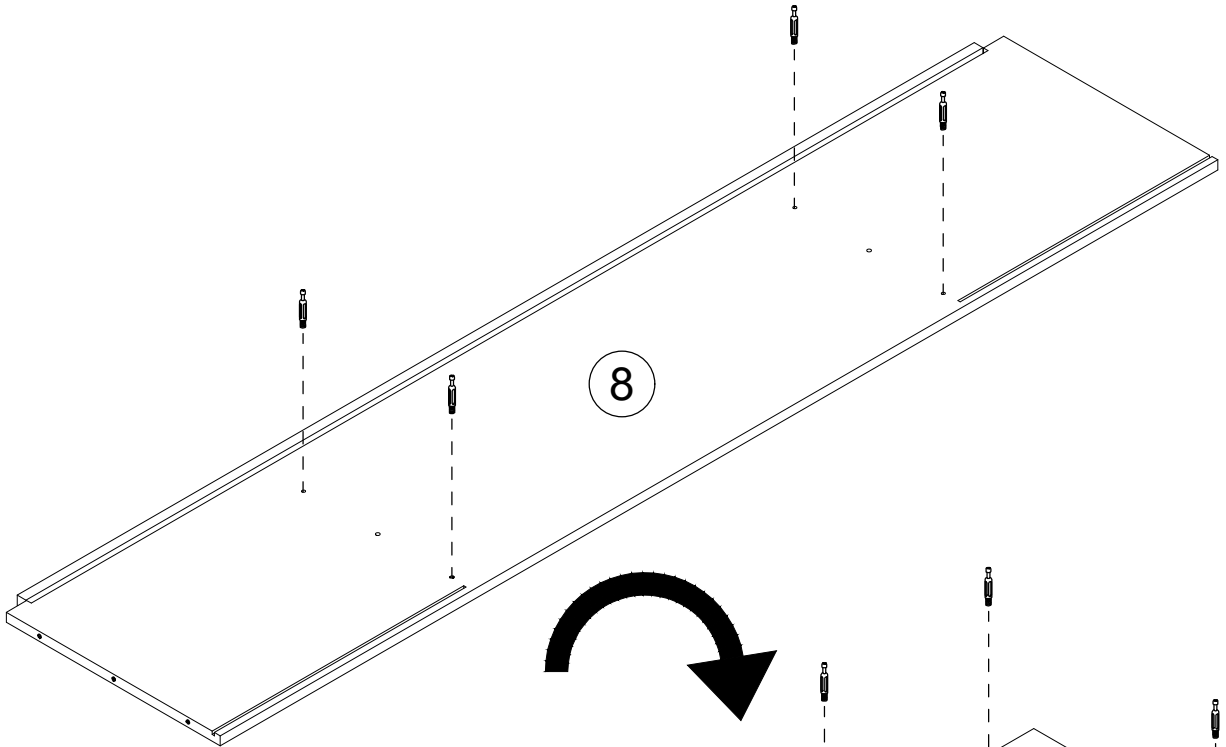
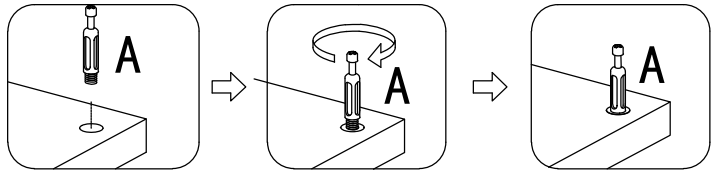
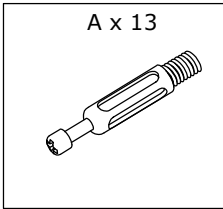


8

A x 6 	B x 4 	D x 4 	J x 4 	
--	--	--	---	--



9



10

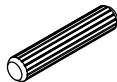
B x 9



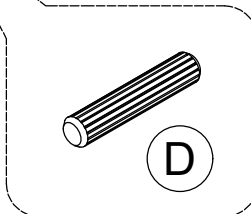
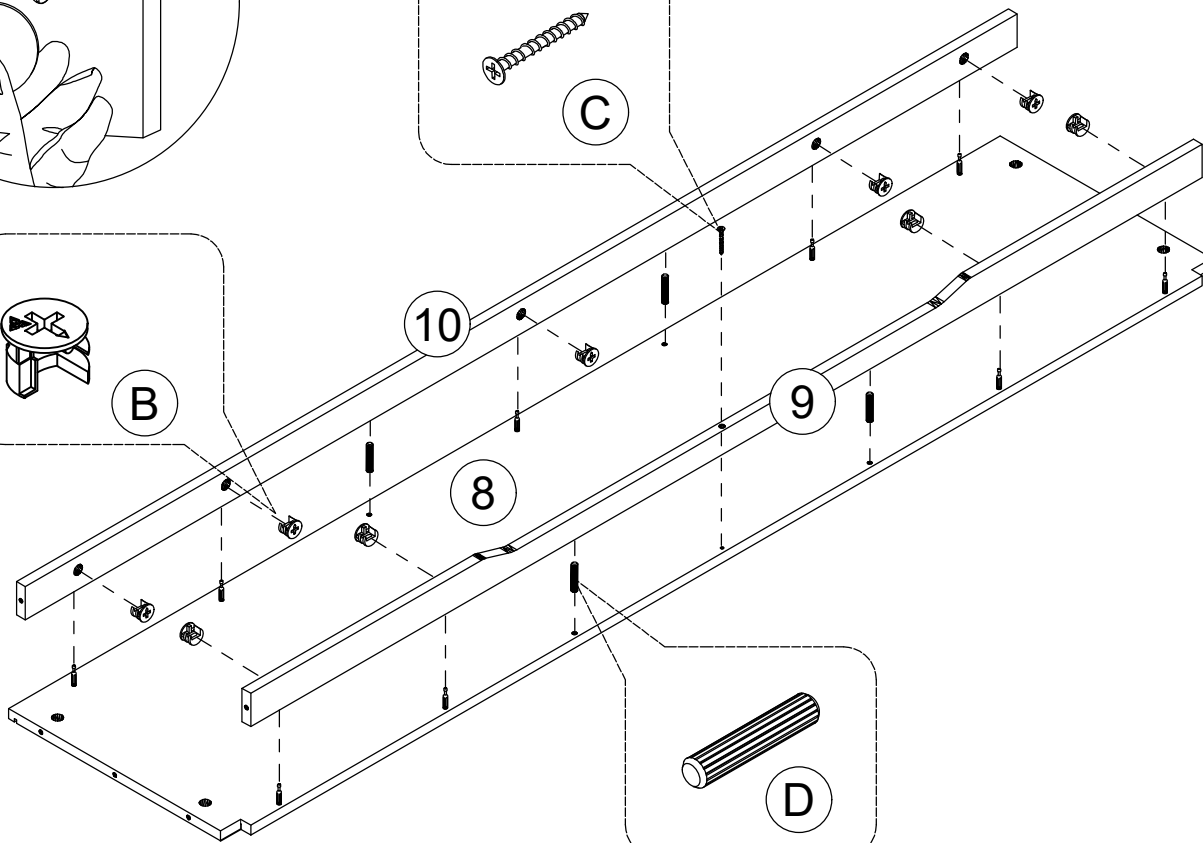
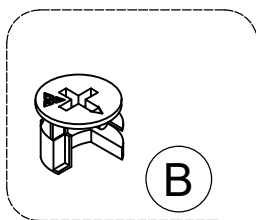
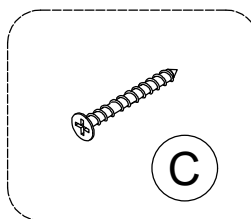
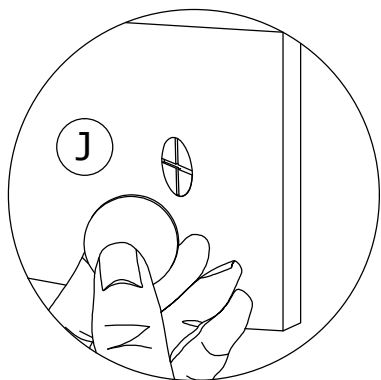
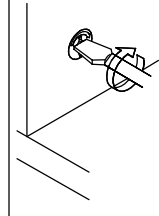
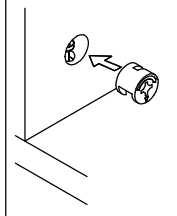
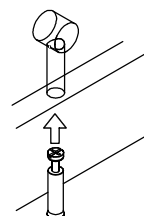
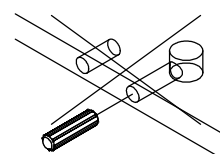
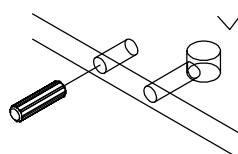
C x 1




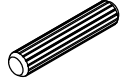

D x 4

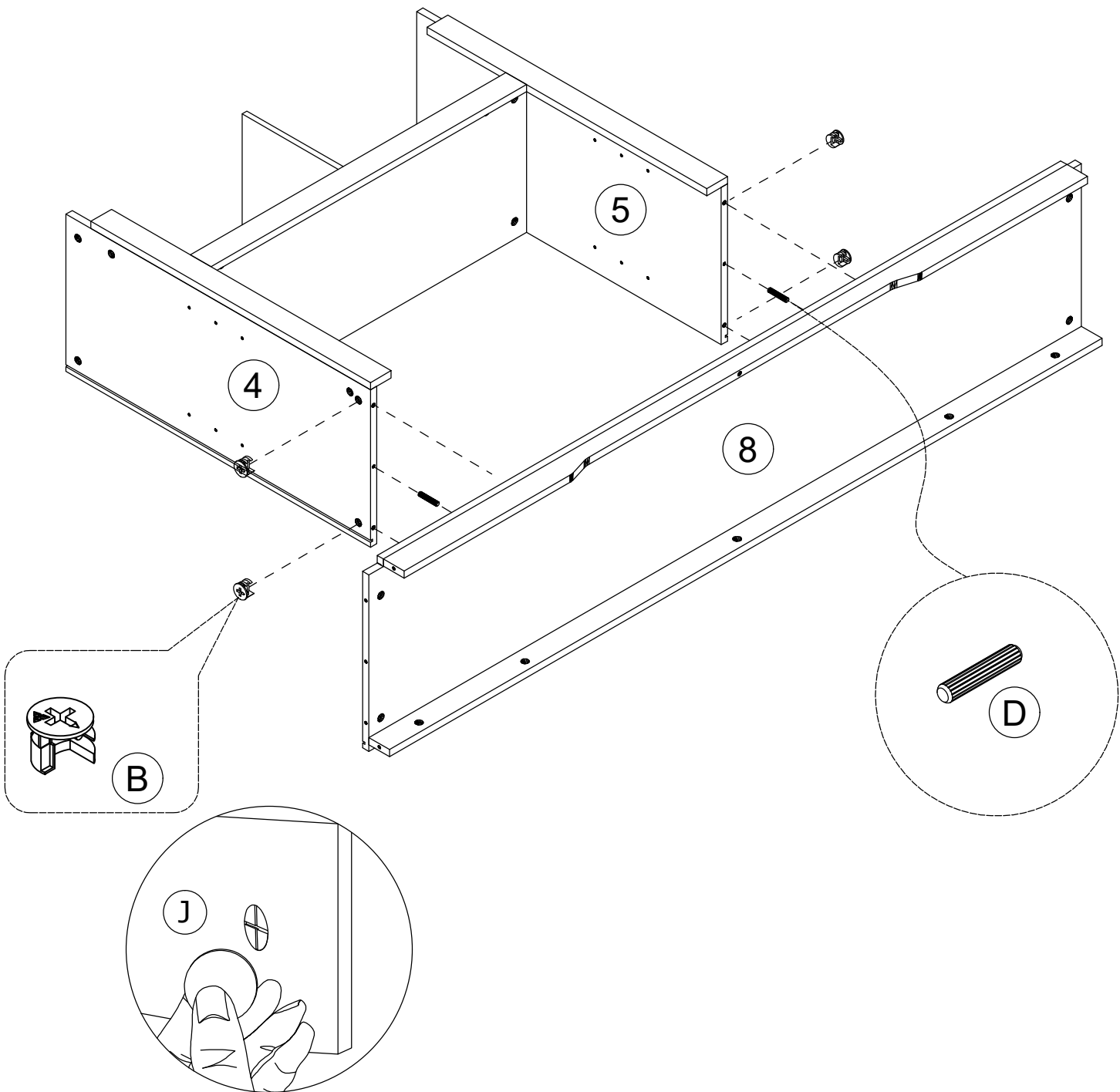
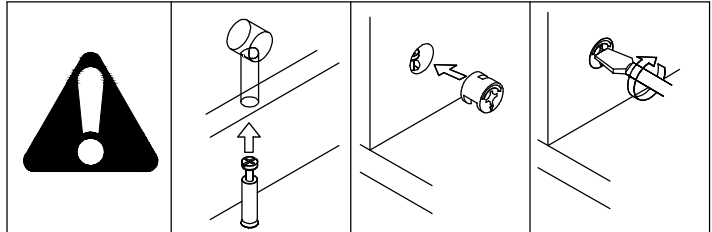
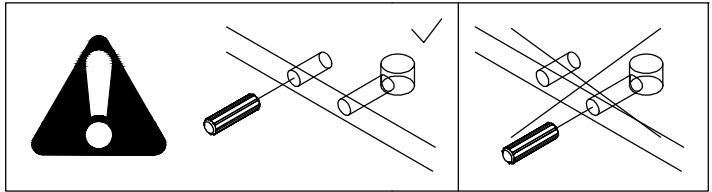


J x 9

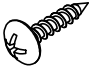


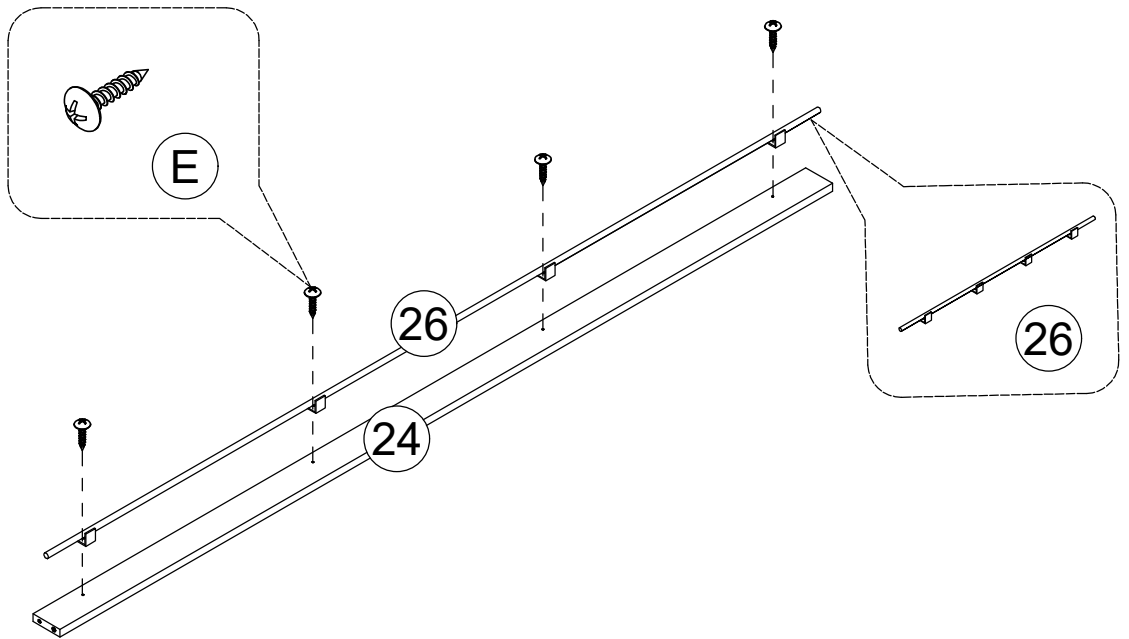
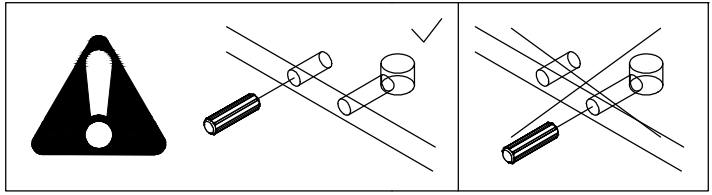
11

B x 4 	D x 2 	J x 4 	
--	--	--	--


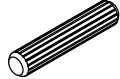




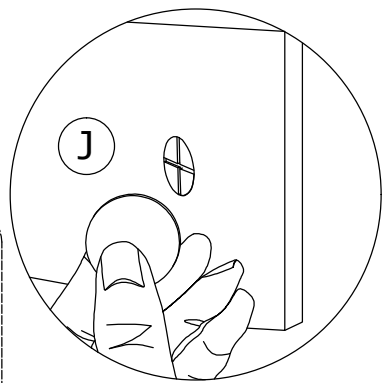
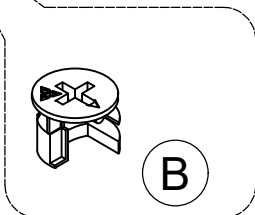
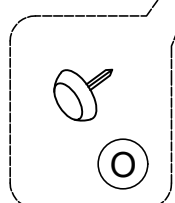
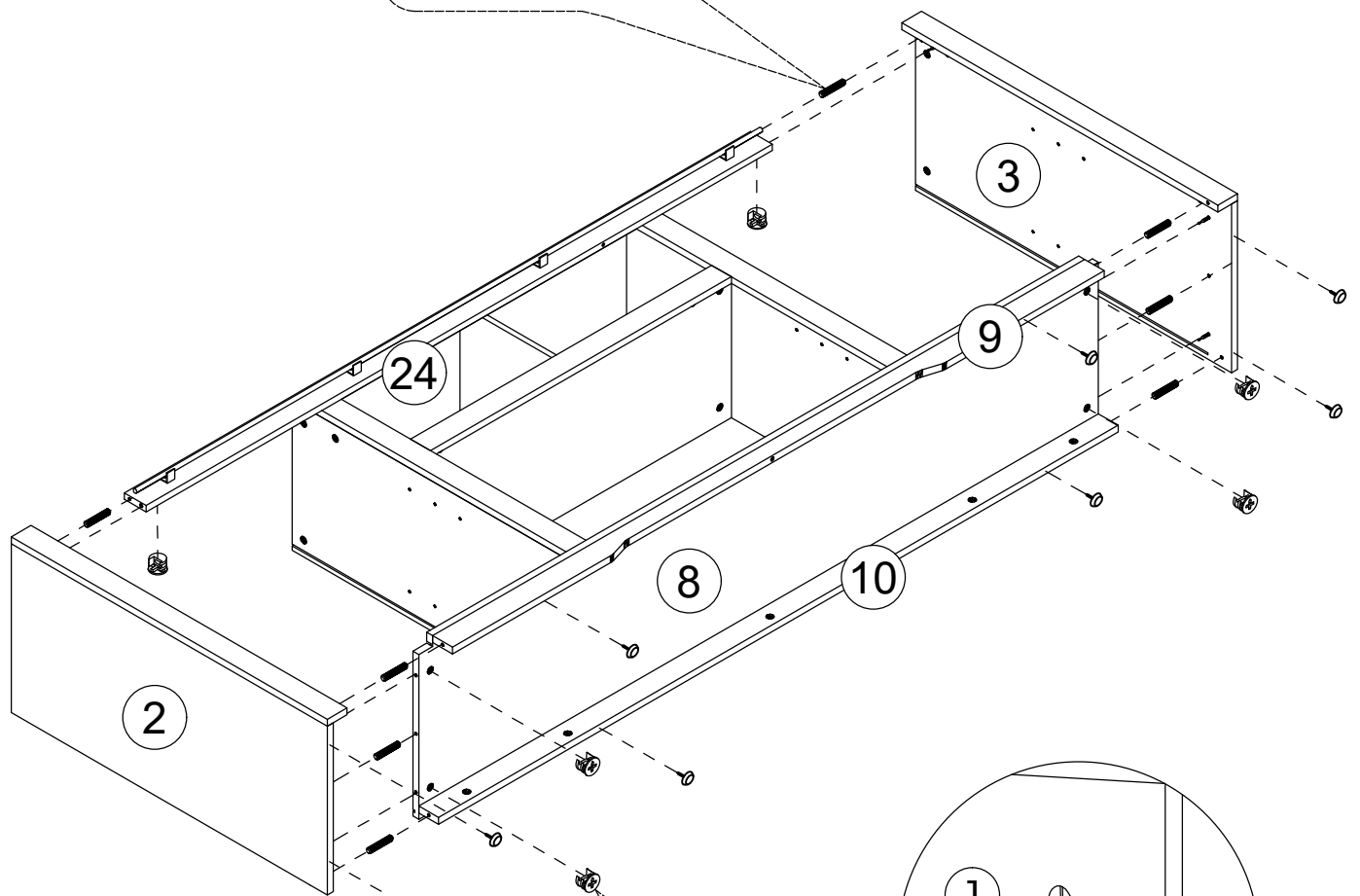
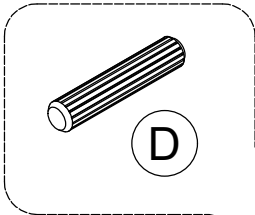
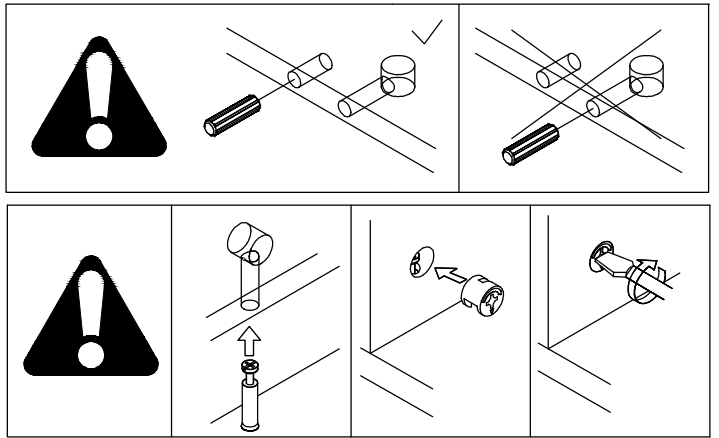
12

<p>Ex 4</p>  <p>Ø3.5 x 12 mm</p>	
---	--



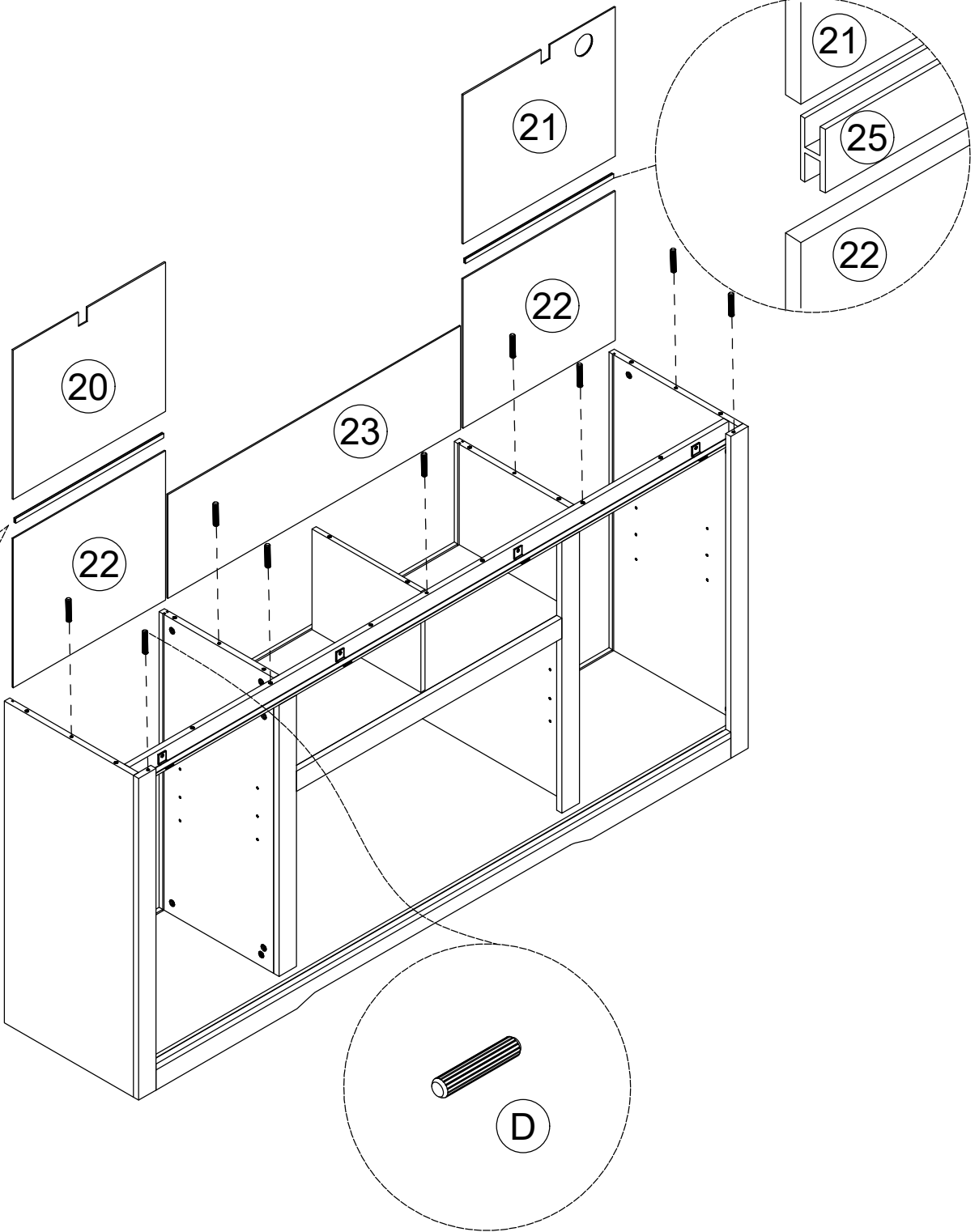
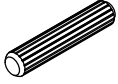
13

B x 6 	D x 8 	J x 6 	O x 8 	
--	--	--	---	--



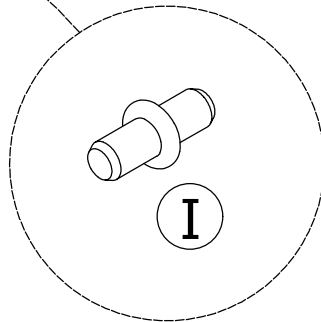
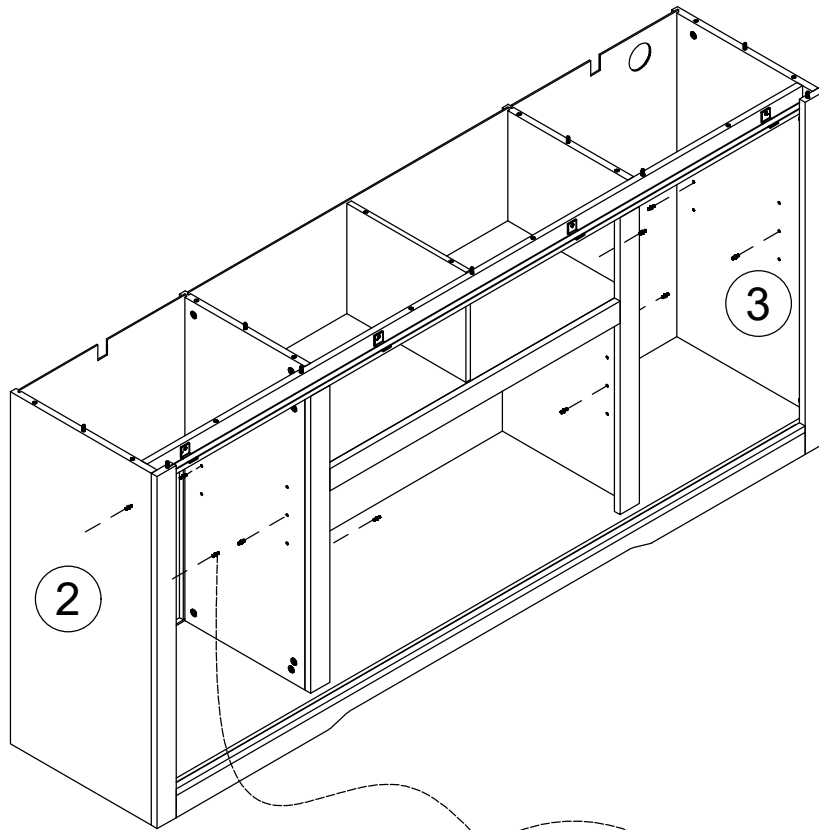
14

D x 9

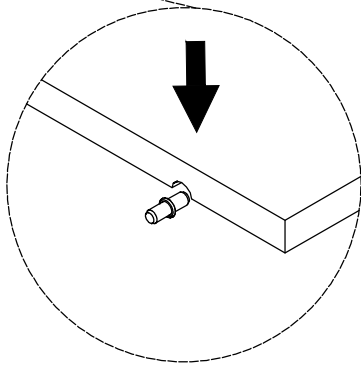
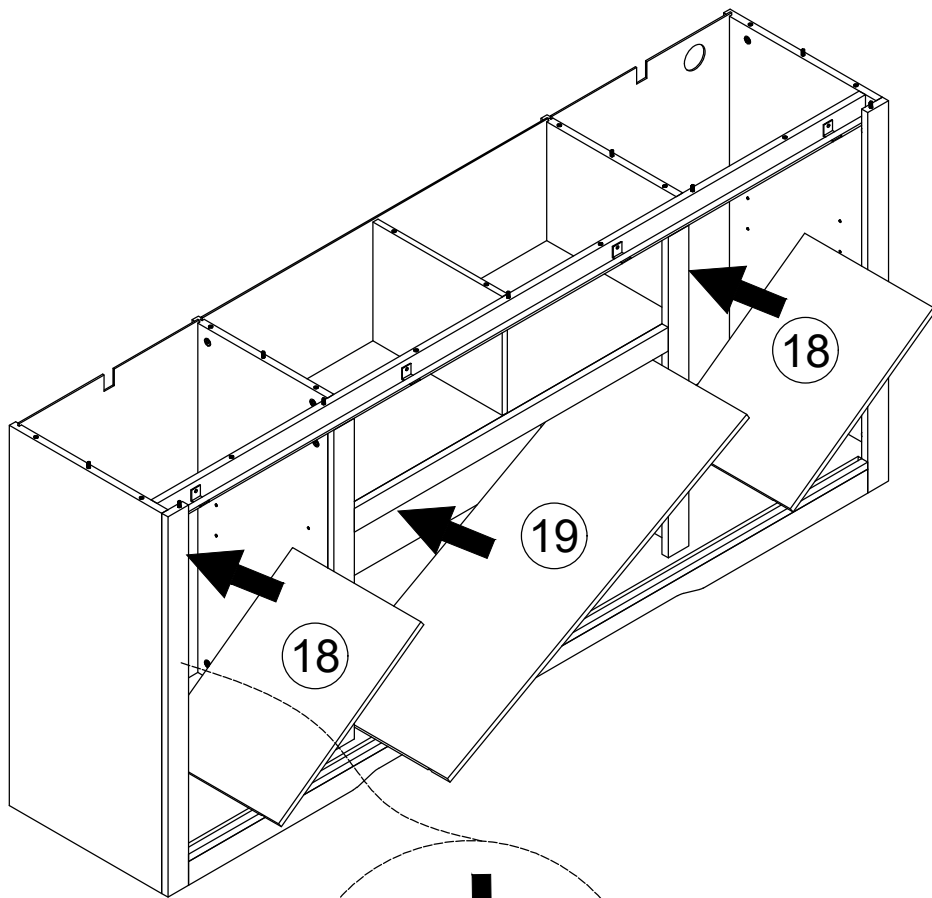
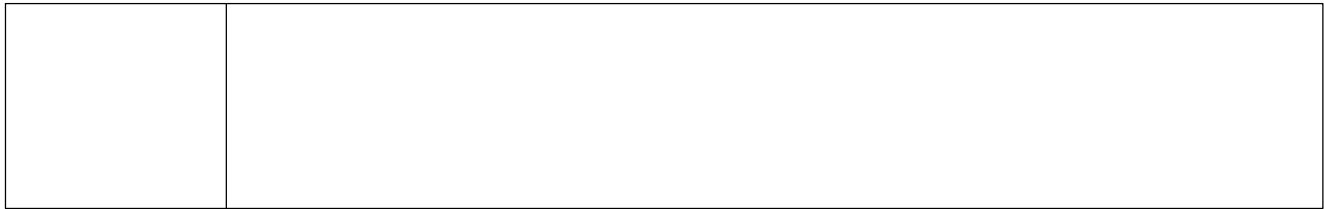


15

I x 12

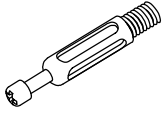


16

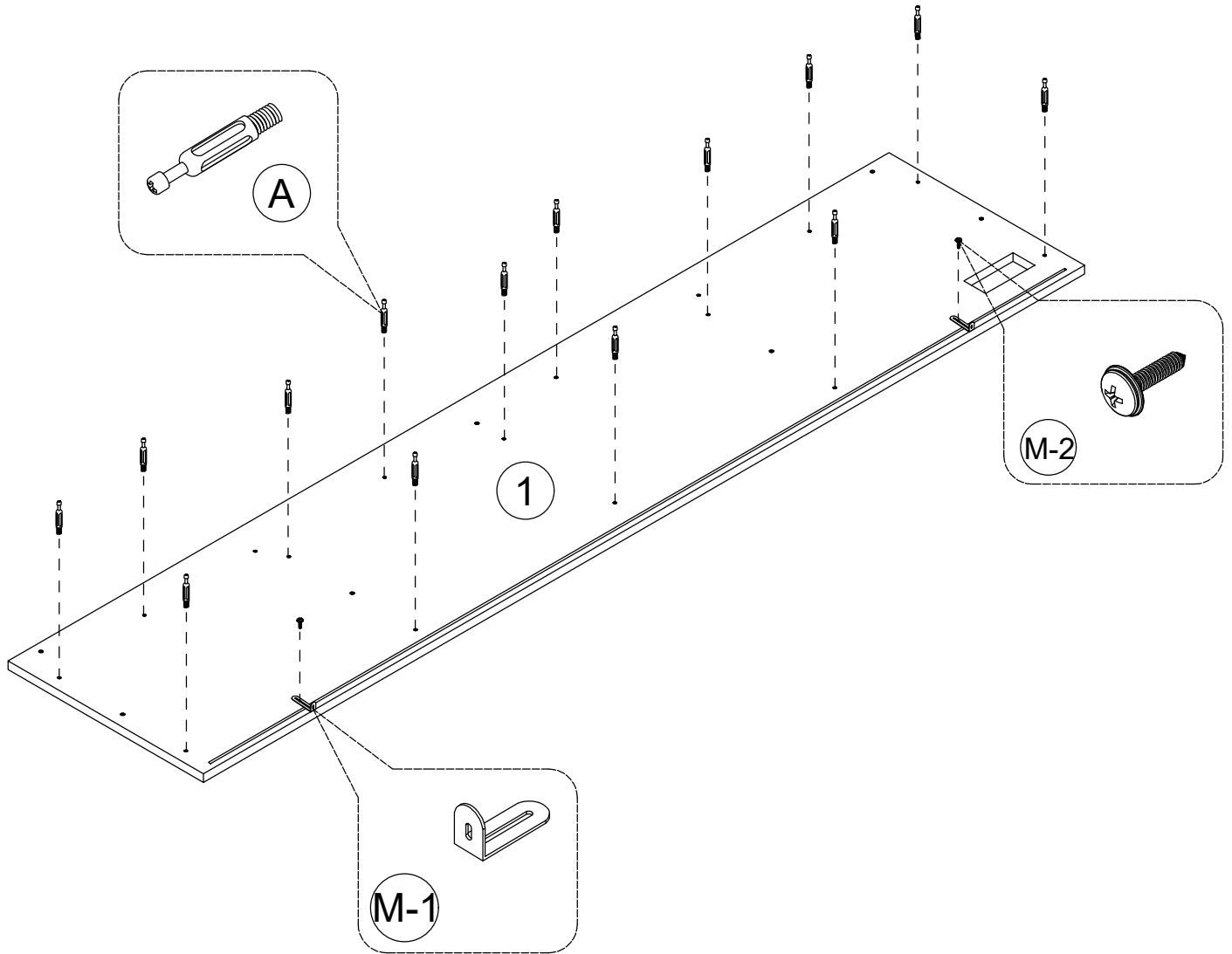
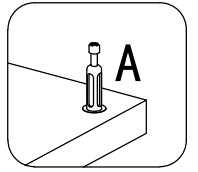
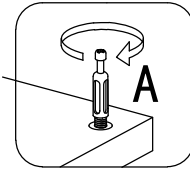
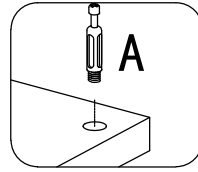


17

A x 14

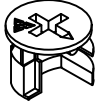


M x 2

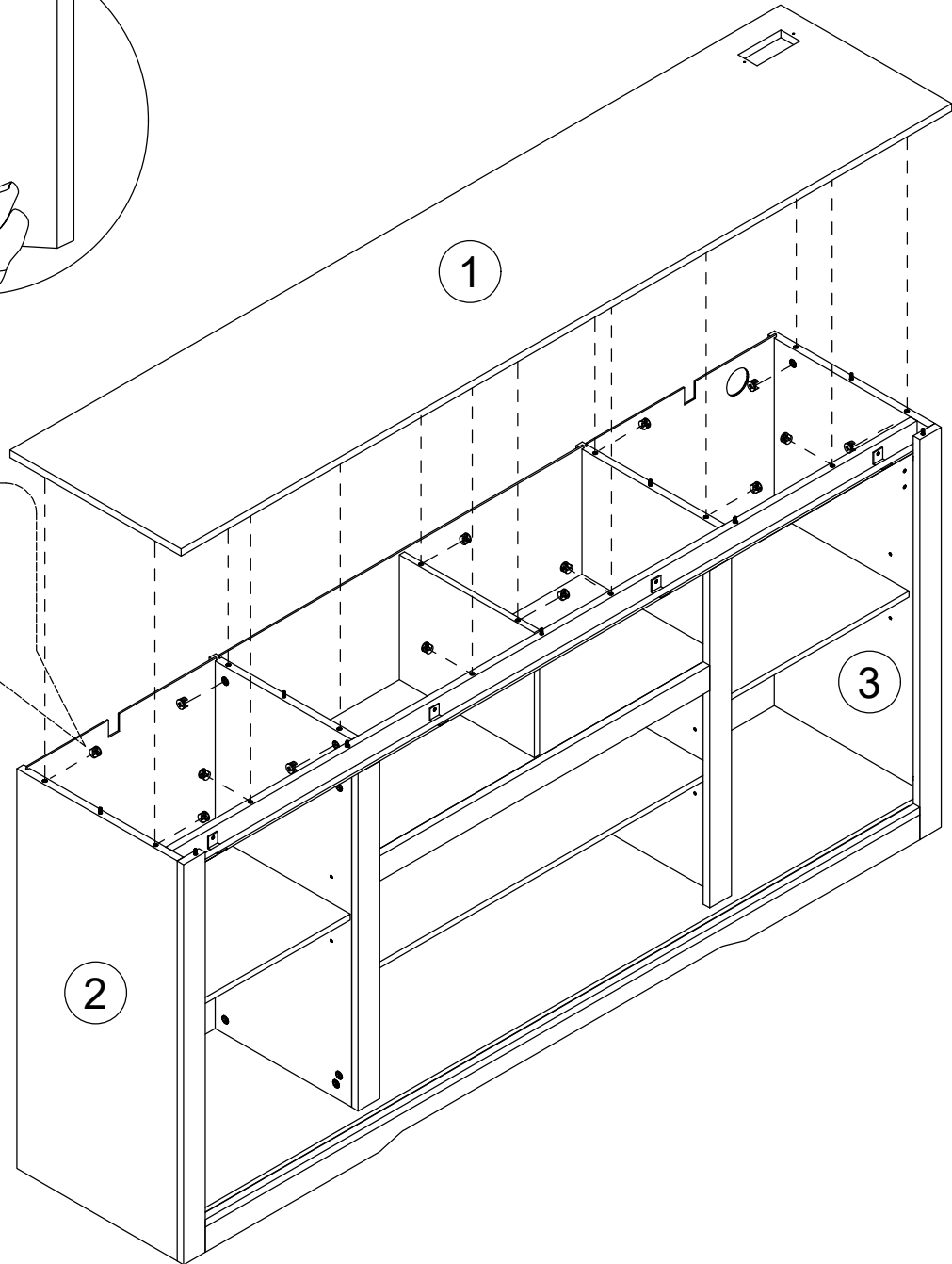
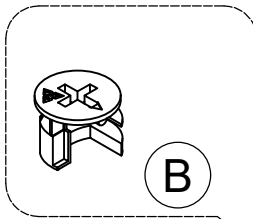
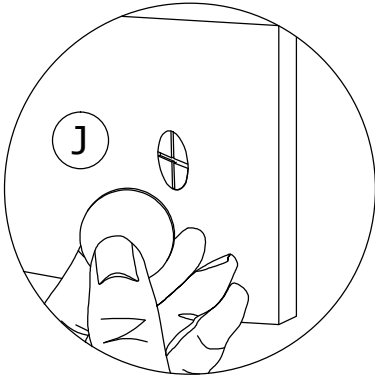
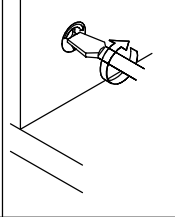
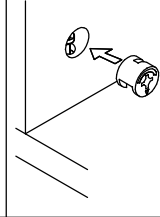
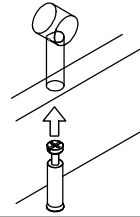


18

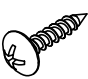
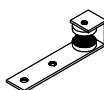


B x 14

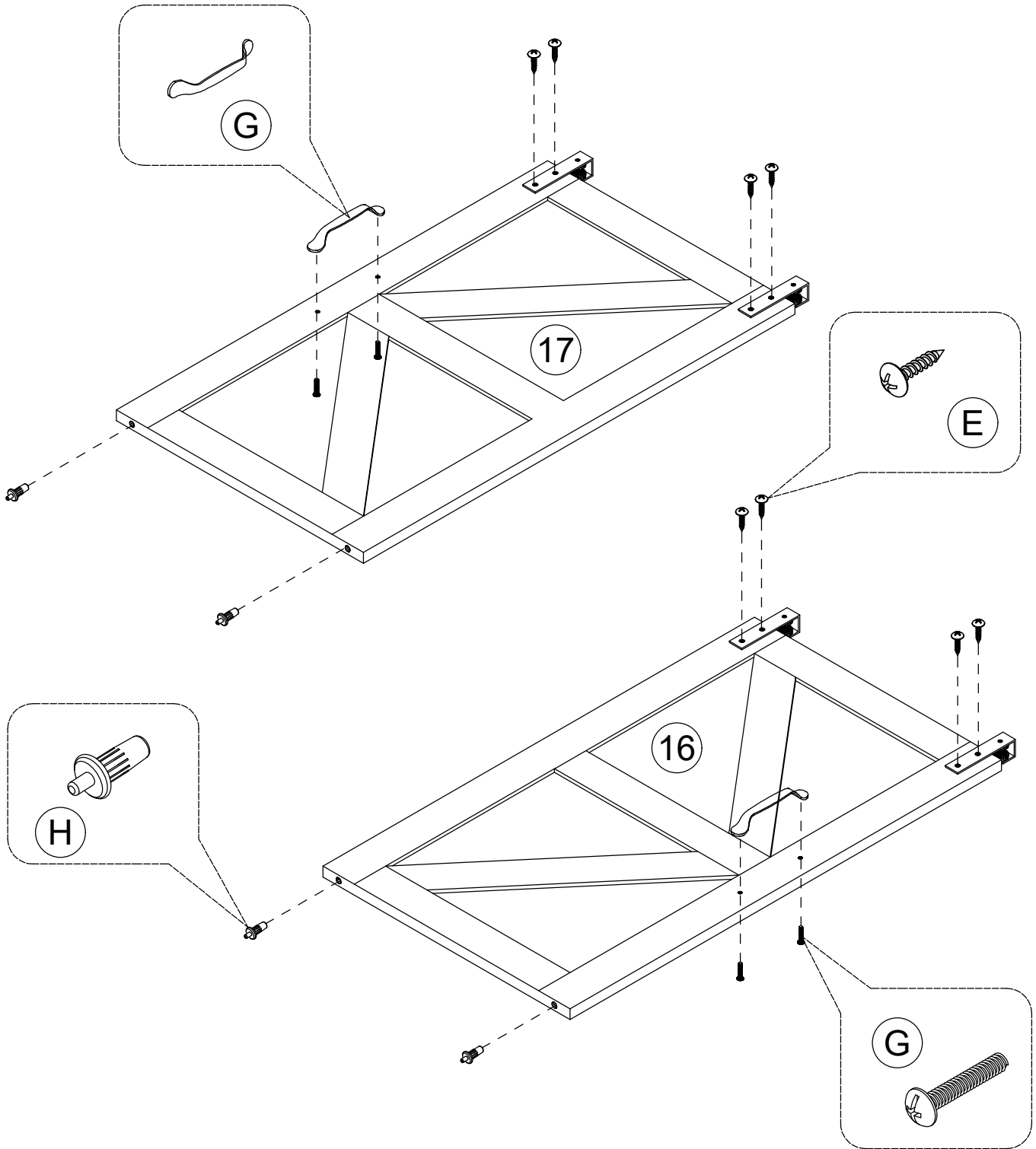


J x 14

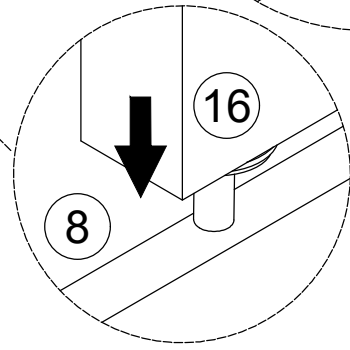
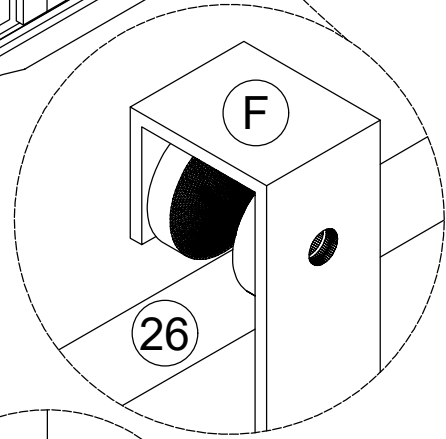
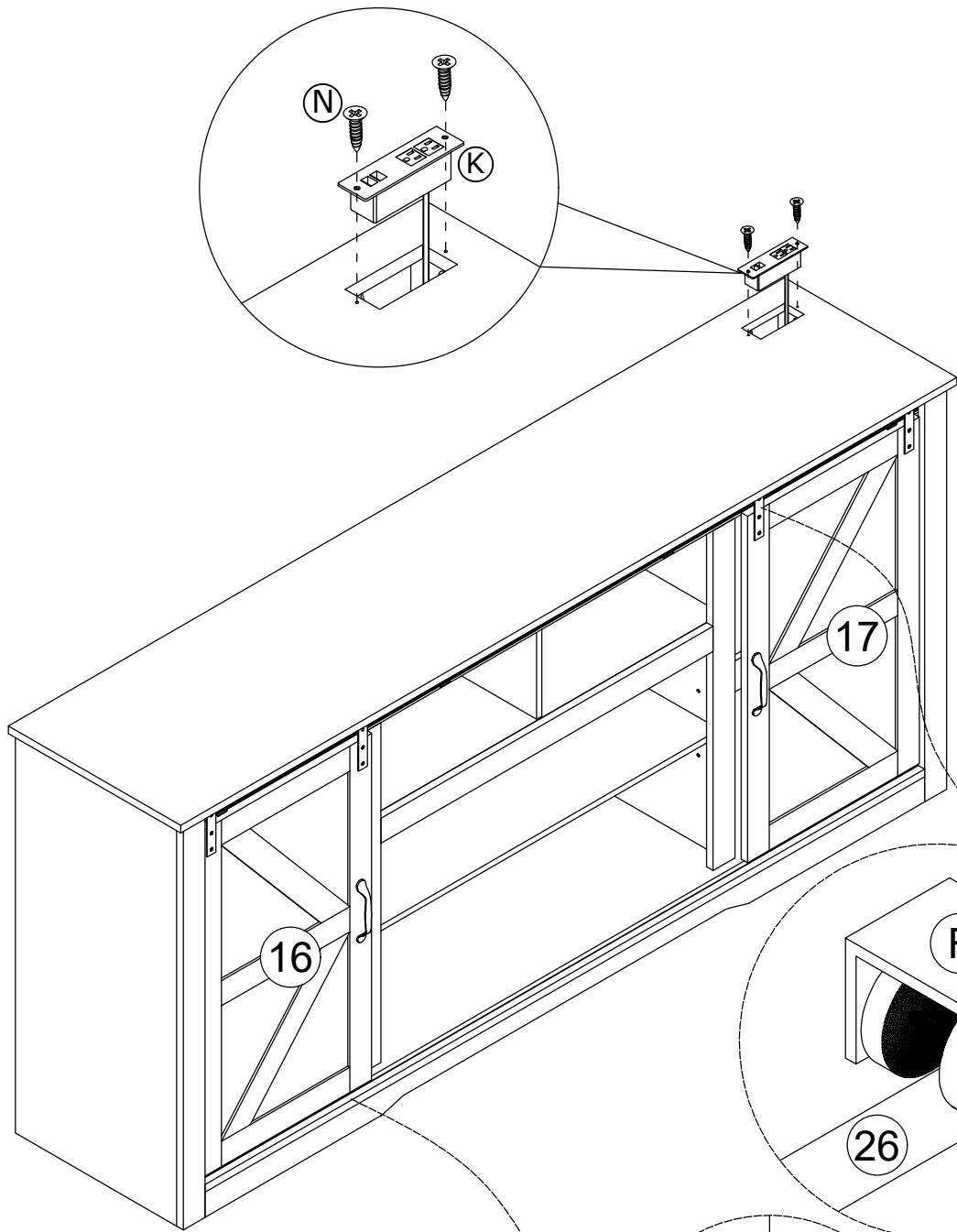
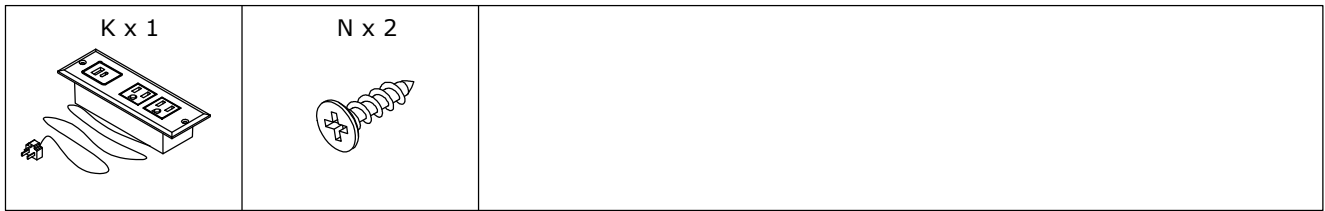


19

E x 8 	F x 4 	G x 2 	H x 4 		
--	--	--	---	--	--

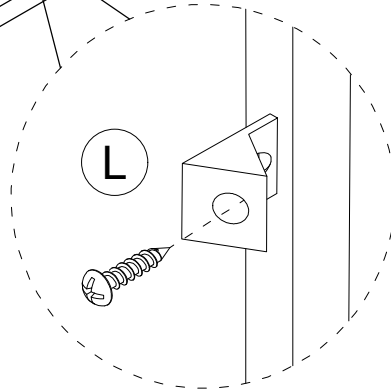
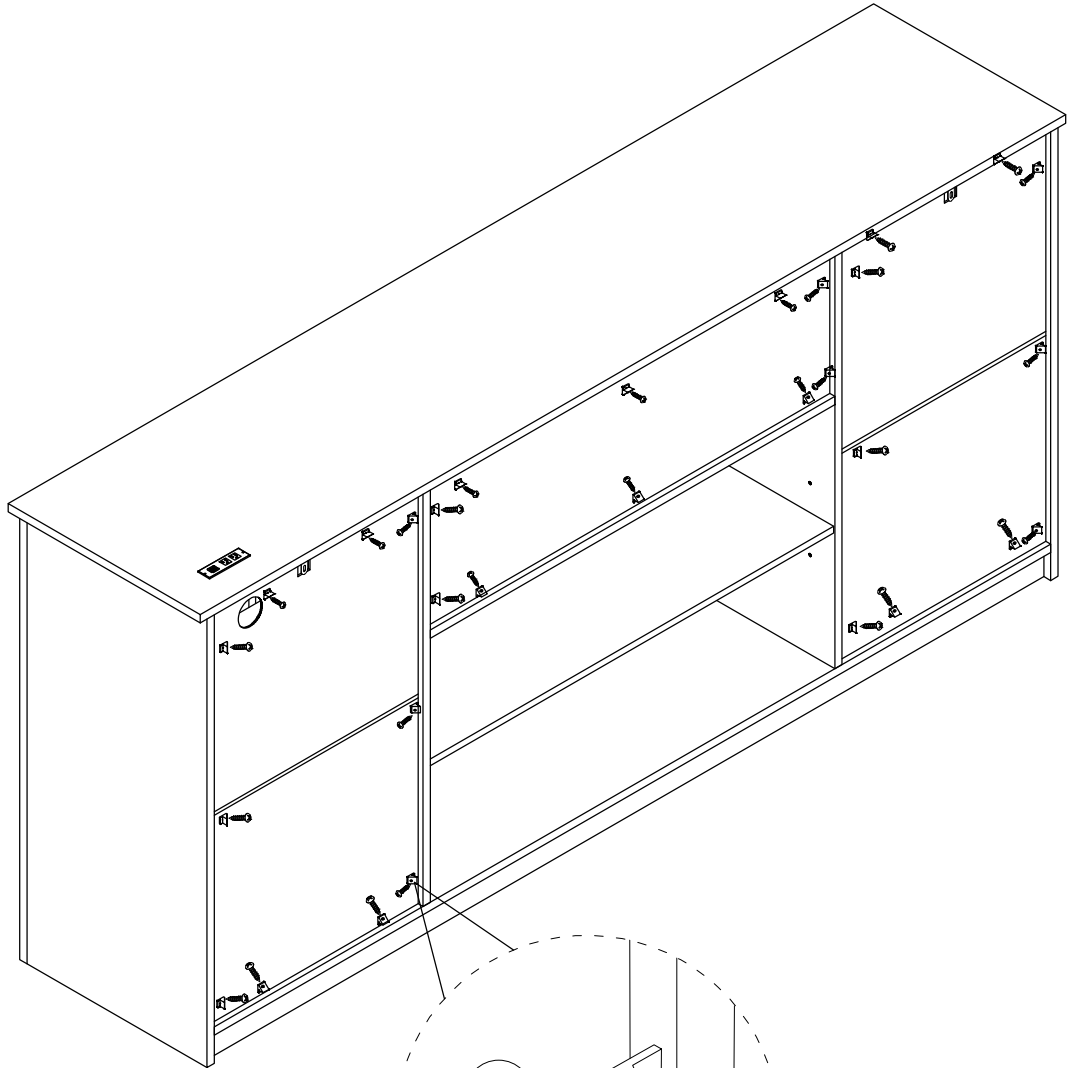
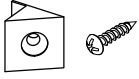


20

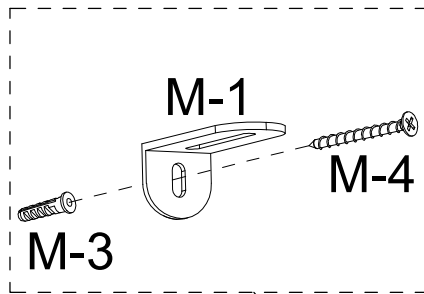
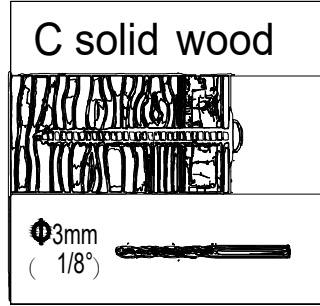
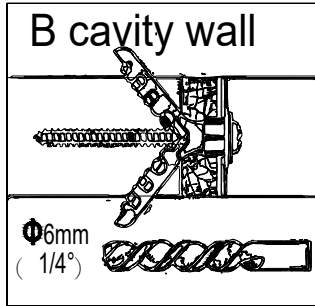
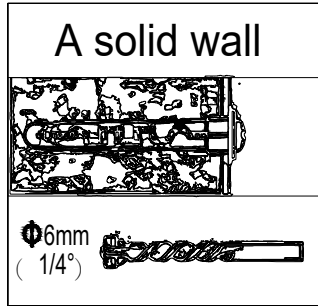
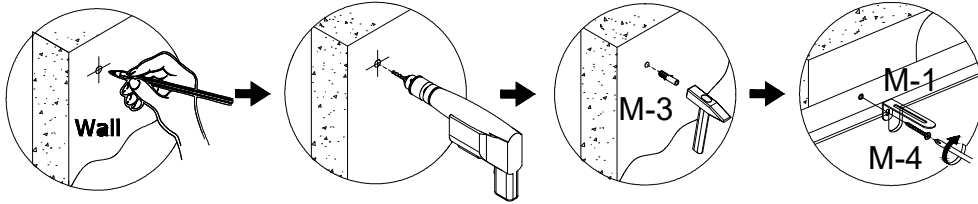
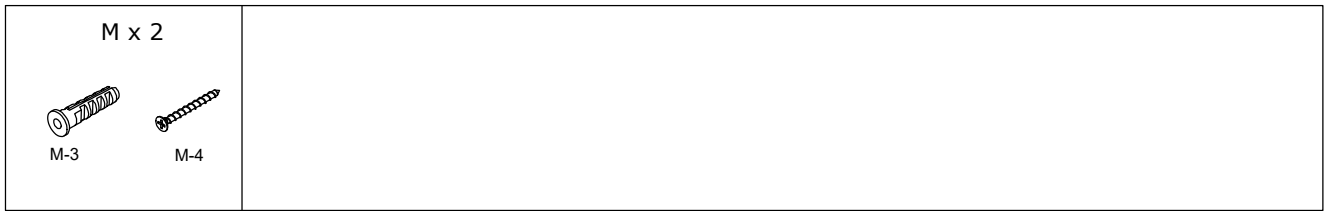


21

L x 30



22



WALL

