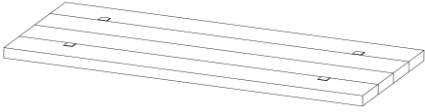
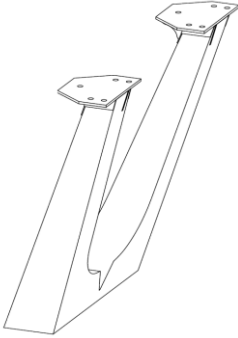
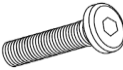
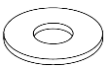
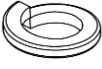
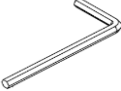
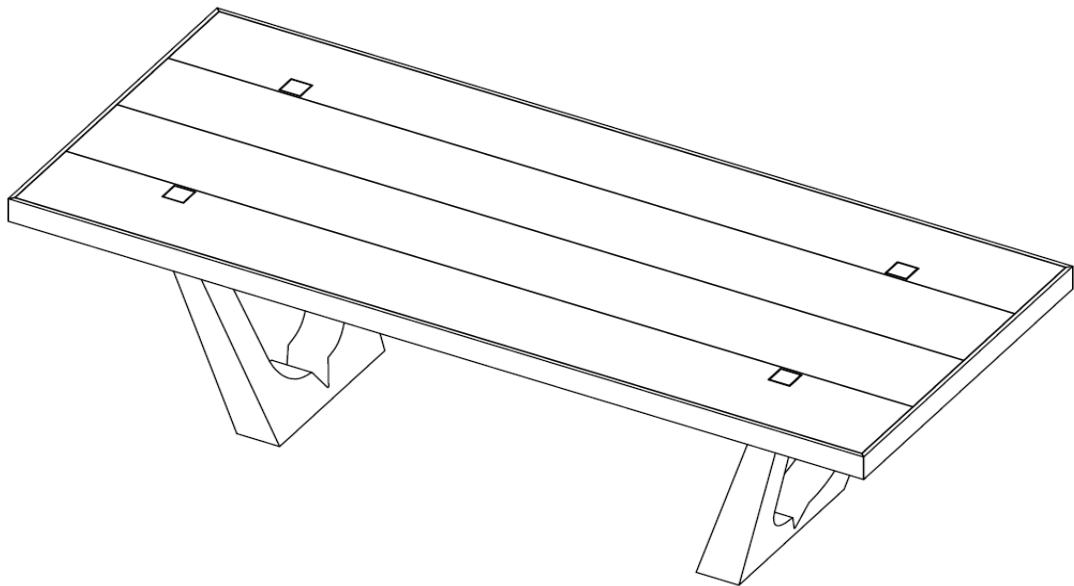


# ASSEMBLY INSTRUCTIONS

SKU# 51031312

## PARTS LIST

A	TABLE TOP X 1					<p><b>Before beginning</b></p> <ol style="list-style-type: none"> <li>1 - Carefully unpack and position the item on a clean, non-marring surface to assemble.</li> <li>2 - Read this Assembly Instructions from beginning to end before starting to assemble.</li> <li>3 - Take an inventory of the required parts to ensure all are available.</li> <li>4 - To prevent accidental choking hazards, keep all packing materials away from small children.</li> </ol>				
B	METAL LEGS X 2					<ol style="list-style-type: none"> <li>5 - Only tighten hardware until ALL hardware are fully engaged on their locations. Overtighten bolts will damage the bolt threads.</li> <li>6 - Use only factory provided hardware to assemble. Unapproved hardware can damage product or jeopardize the structural integrity of the product.</li> <li>7 - The use of power tool to assemble is not recommended due to high risk of over-torque, which can damage the product.</li> </ol>				
Z	HARDWARE	<p><b>Z1</b></p>  <p>8X50MM X 20</p>	<p><b>Z2</b></p>  <p>8X19X2MM X 20</p>	<p><b>Z3</b></p>  <p>8X12X2MM X 20</p>	<p><b>Z4</b></p>  <p>4X59MM X 1</p>					



ASSEMBLY REQUIRES  
TWO PEOPLE



15-MINUTE  
ASSEMBLY TIME

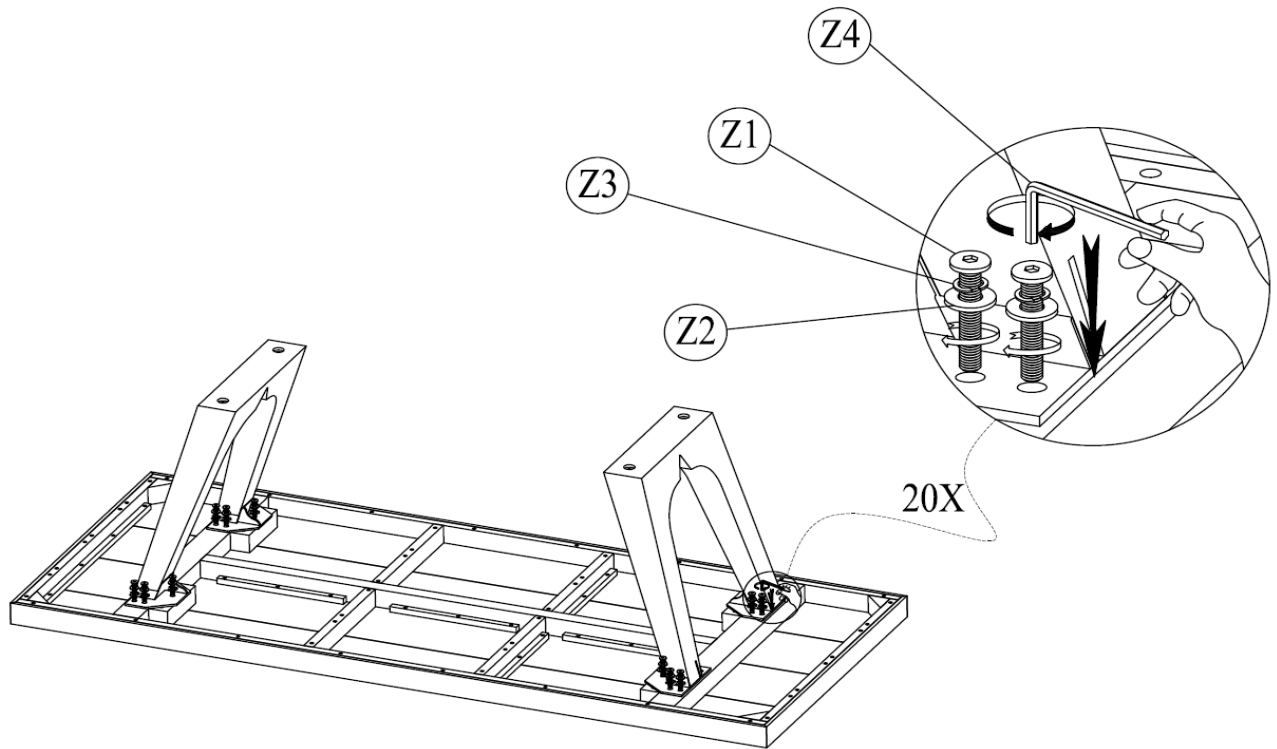


KEEP INSTRUCTIONS  
FOR FUTURE USE



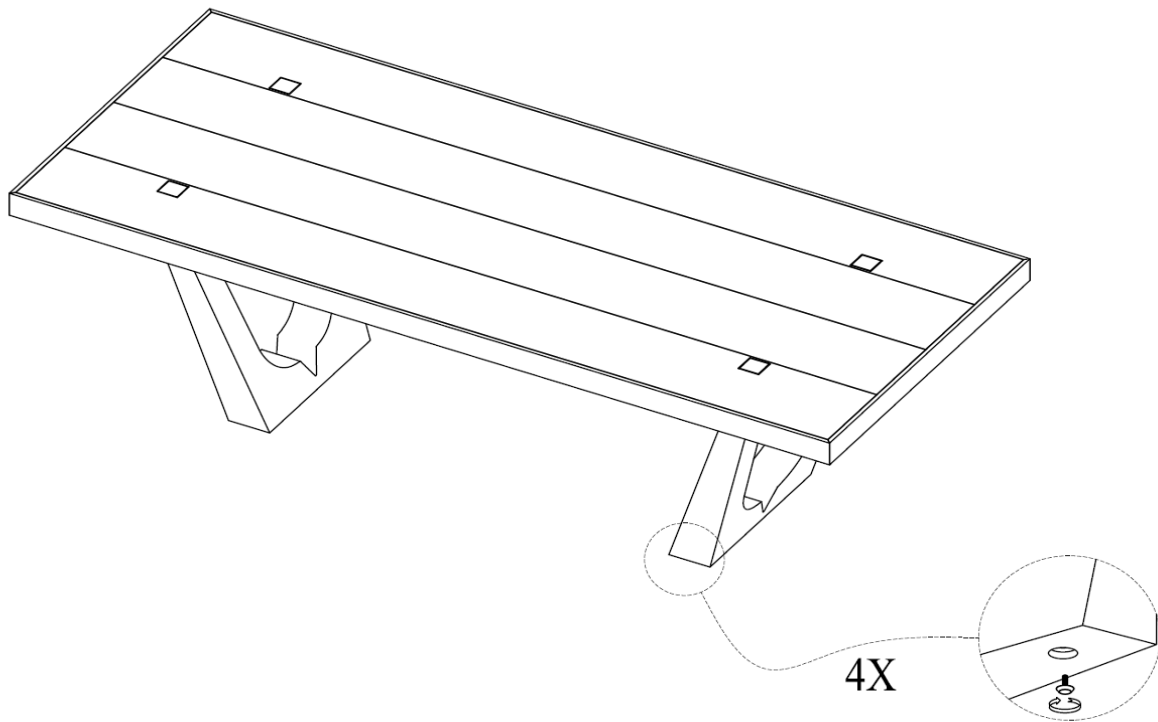
**ASSEMBLY INSTRUCTIONS**  
**SKU# 51031312**

1



- Assemble the Metal Legs (B) into the Table Top (A) (as pictured). Tighten all Allen Bolts (Z1), Spring Washers (Z3) and Washers (Z2) by using Allen Key (Z4)

2



- With two people carefully turn the Table over and stand on its legs.  
- If the Table doesn't sit level, please adjust the adjustable bolts under the legs.  
- Completed item.