

ASSEMBLY INSTRUCTION

MODEL NUMBER:6-704Q

NOTES:

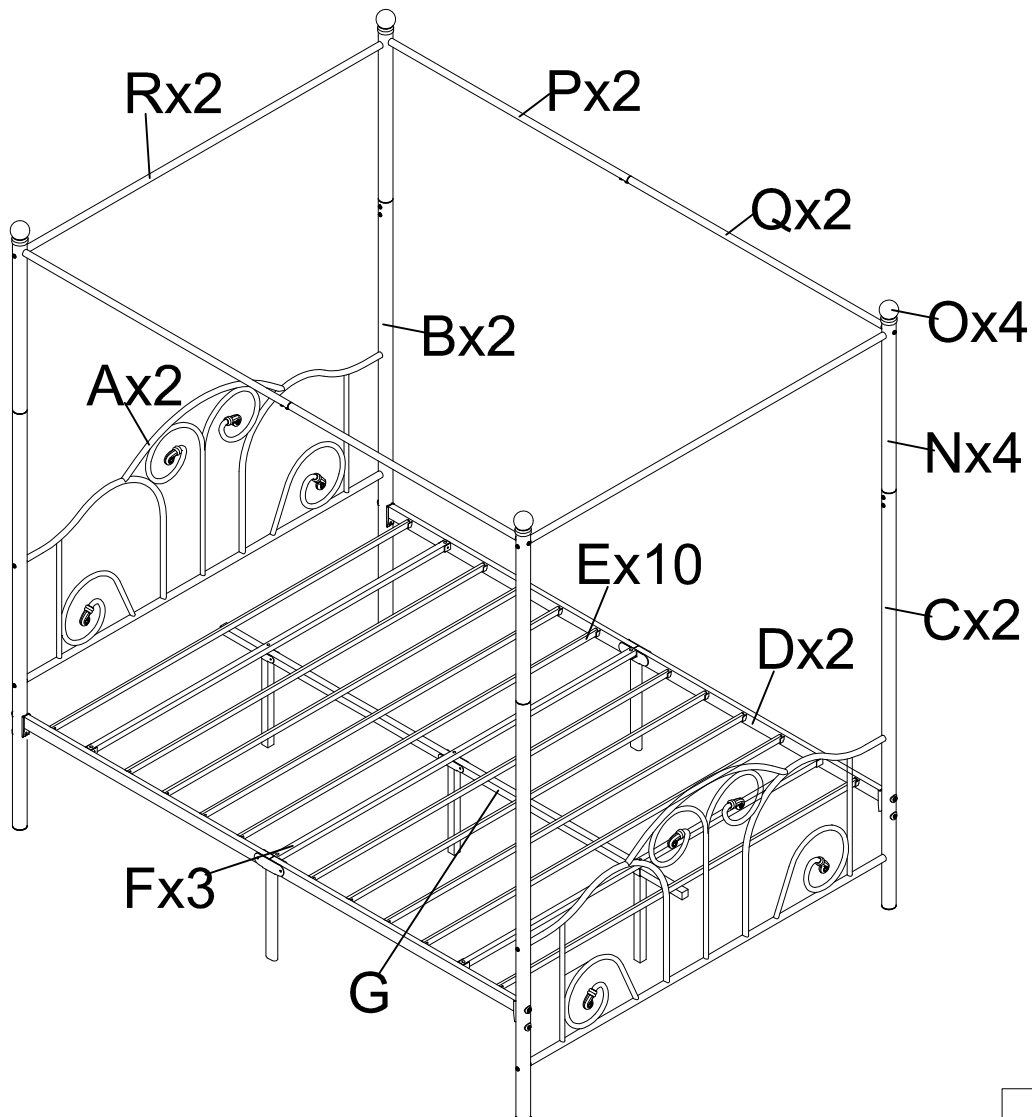
- Do not skip any step.
- Do not fully tight screws until all the bed parts are assembled.

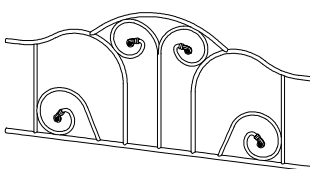

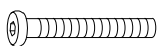
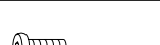




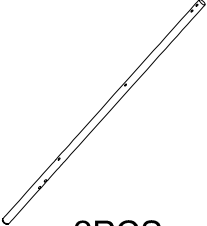
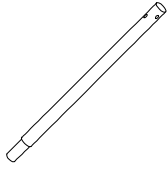
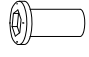

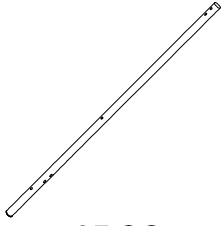
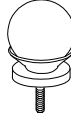
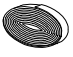
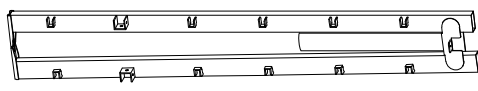
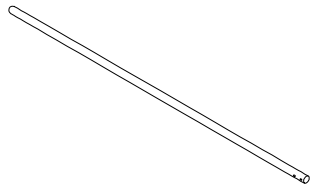

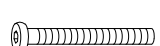
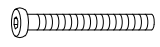

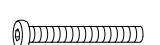

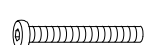


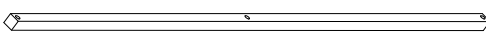
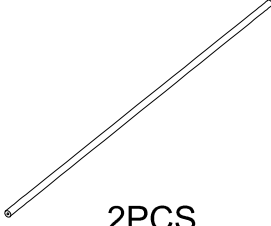
WARNING:

- WARNIND FOR YOUNG CHILDREN-This product contains small components,please ensure that they are kept away from small children while assembling.

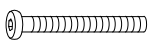


Warranty Information:

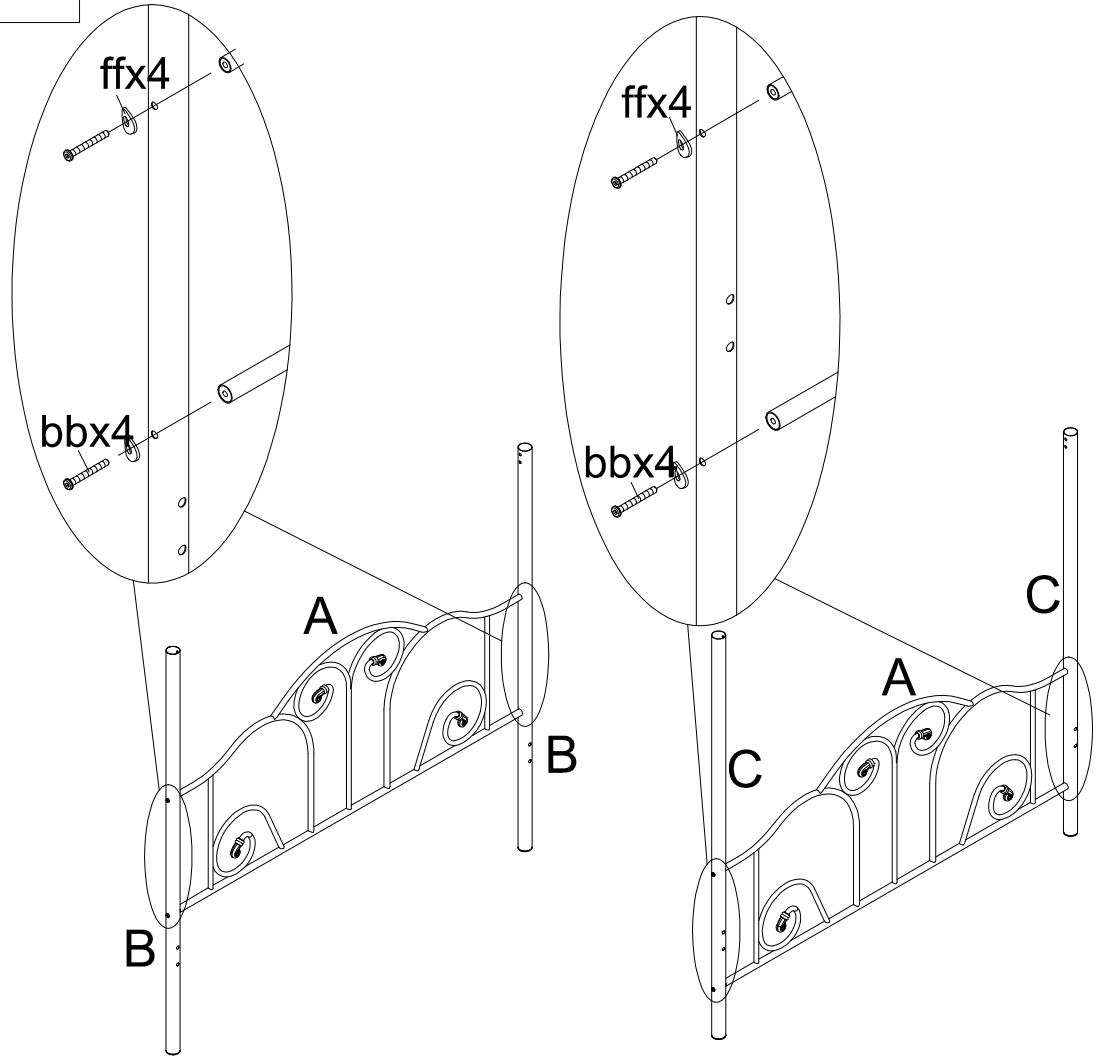
- We warranty this product to be free from defects in materials.This warranty covers one year from the date of original purchase.If u have any query about bed,pls contact our after -sale support email: pakkahome@outlook.com



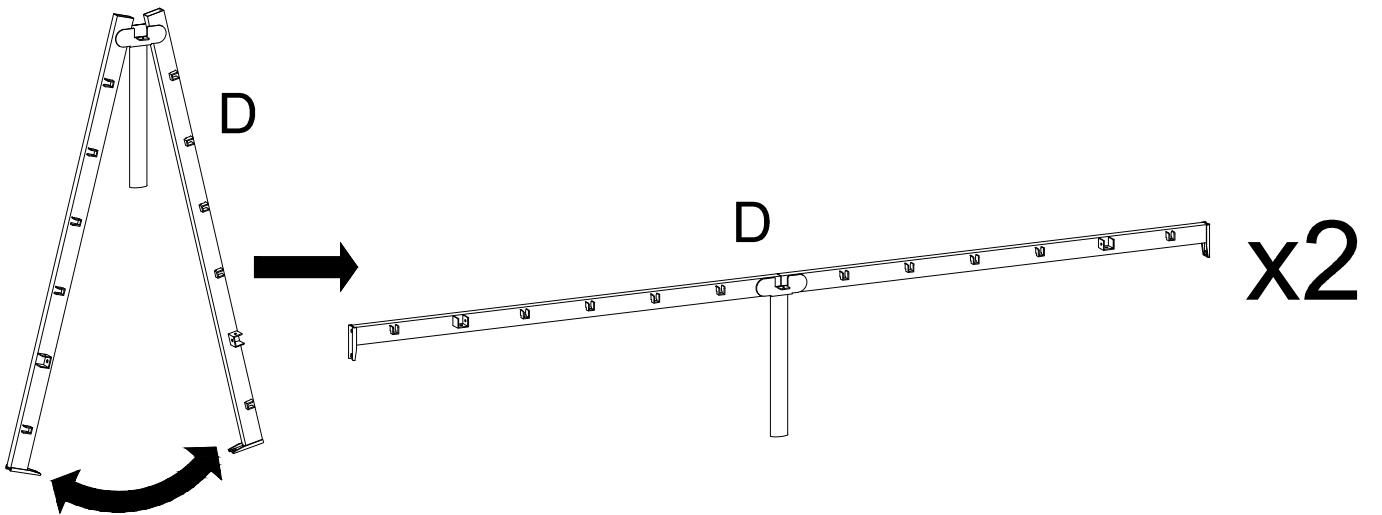
<p>A</p>	<p>G</p>	<p>aa</p>		<p>M8x55</p>	<p>4</p>
 <p>2PCS</p>	 <p>1PC</p>	<p>bb</p>		<p>M6x55</p>	<p>19</p>
		<p>cc</p>		<p>M6x35</p>	<p>4</p>
		<p>dd</p>		<p>M6x30</p>	<p>6</p>
<p>B</p>	<p>N</p>	<p>ee</p>		<p>M6x12</p>	<p>12</p>
 <p>2PCS</p>	 <p>4PCS</p>	<p>ff</p>			<p>24</p>
<p>C</p>	<p>O</p>	<p>gg</p>		<p></p>	<p>4</p>
 <p>2PCS</p>	 <p>4PCS</p>	<p>hh</p>		<p></p>	<p>2</p>
<p>D</p>	<p>P</p>				
 <p>2PCS</p>	 <p>2PCS</p>	<p>ii</p>		<p></p>	<p>1</p>
<p>E</p>	<p>Q</p>				
 <p>10PCS</p>	 <p>2PCS</p>	<p>SPARE</p>	<p>aa</p>		<p>1</p>
<p>F</p>	<p>R</p>		<p>bb</p>		<p>1</p>
 <p>3PCS</p>	 <p>2PCS</p>		<p>cc</p>		<p>1</p>
			<p>dd</p>		<p>1</p>
			<p>ee</p>		<p>1</p>
			<p>ff</p>		<p>1</p>
			<p>gg</p>		<p>1</p>

Step 1

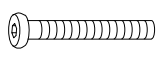
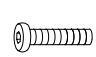

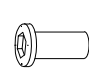
bb		M6x55	8
ff			8
hh			1

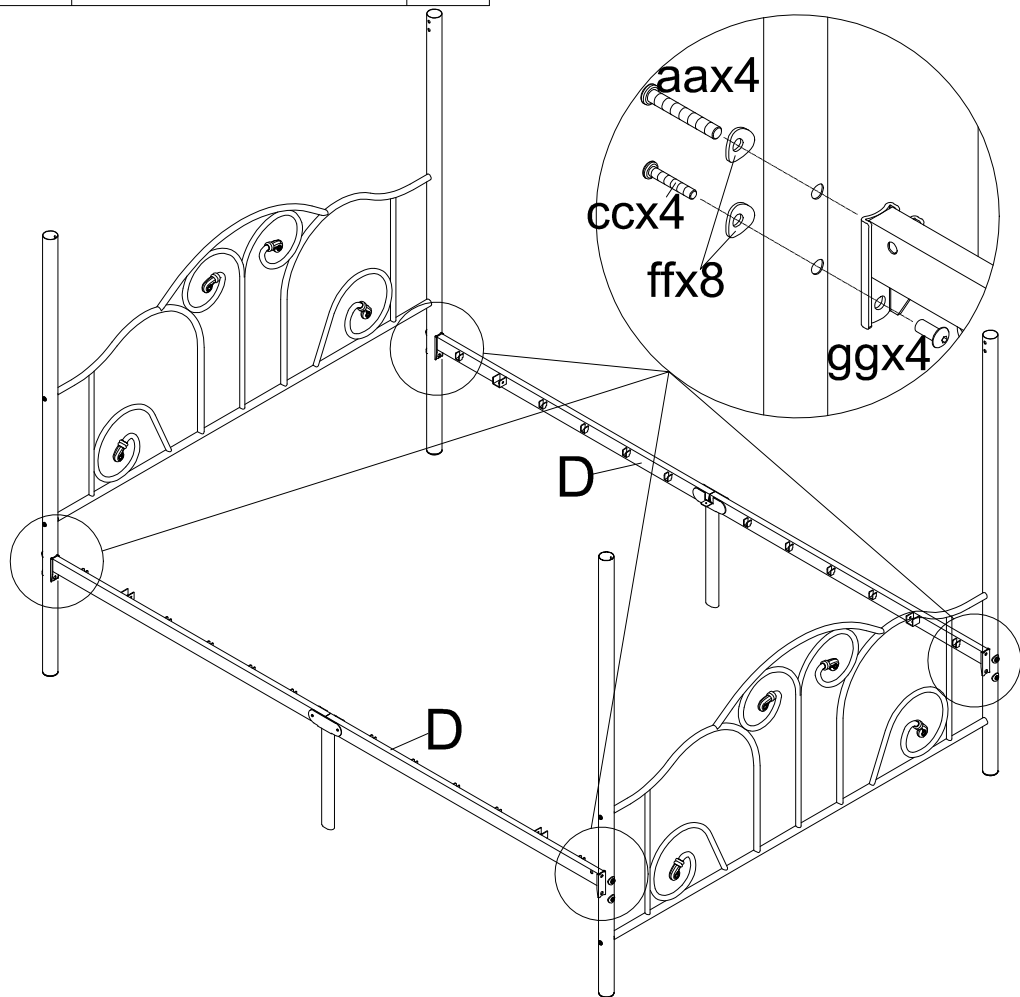


Step 2

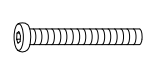



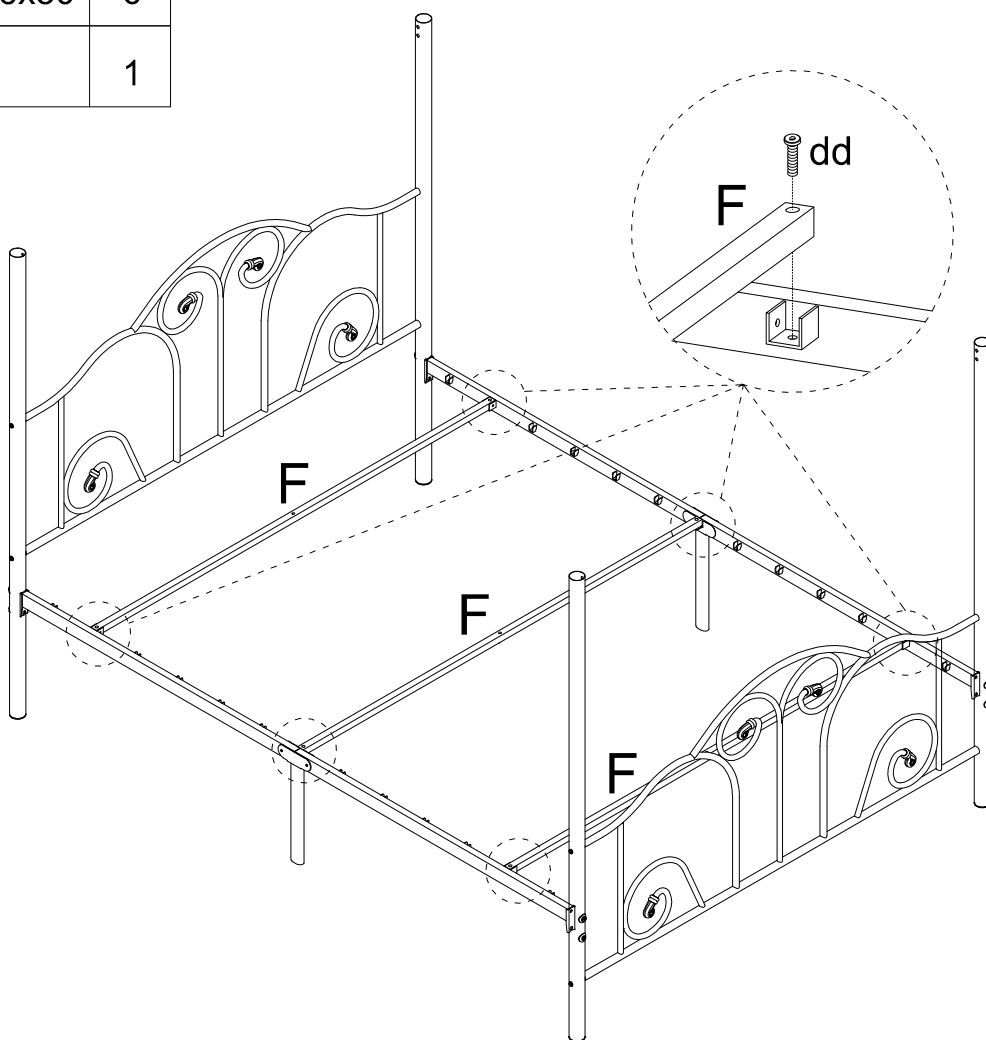
Step 3

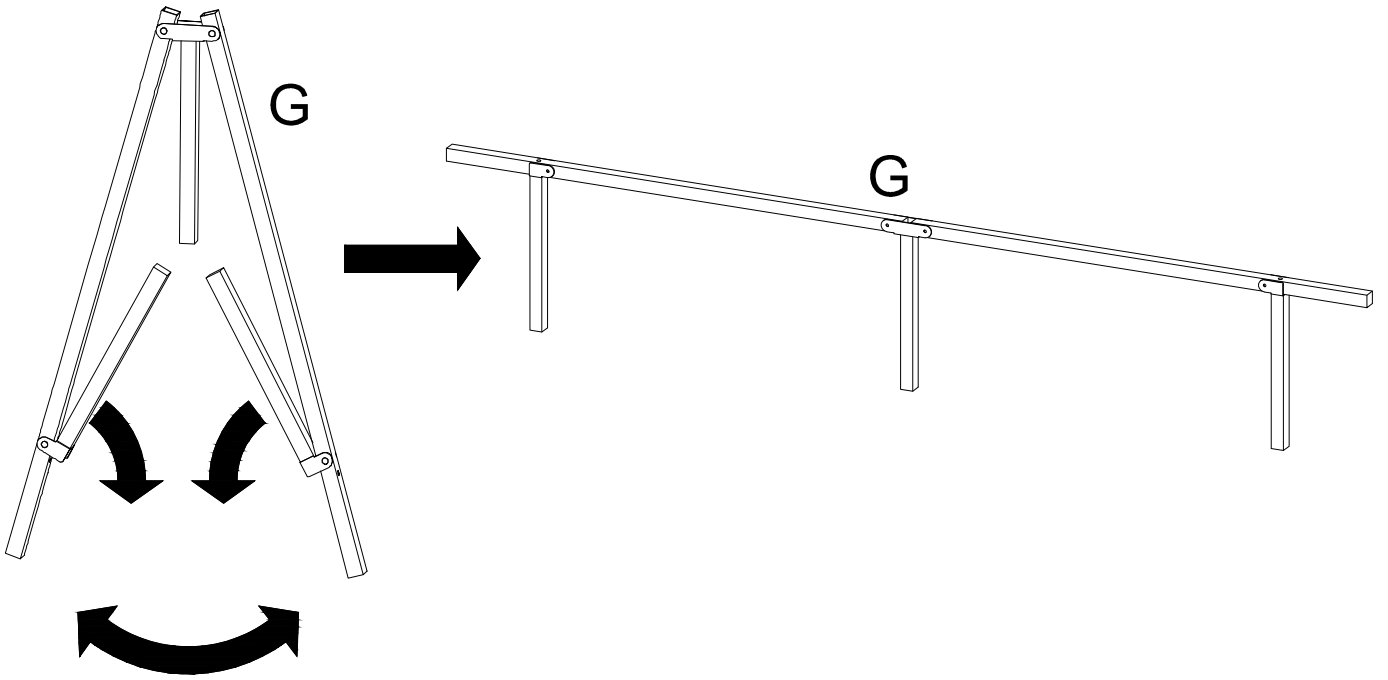
aa		M8x55	4
cc		M6x35	4
ff			8
gg			4

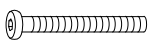

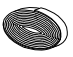


Step 4

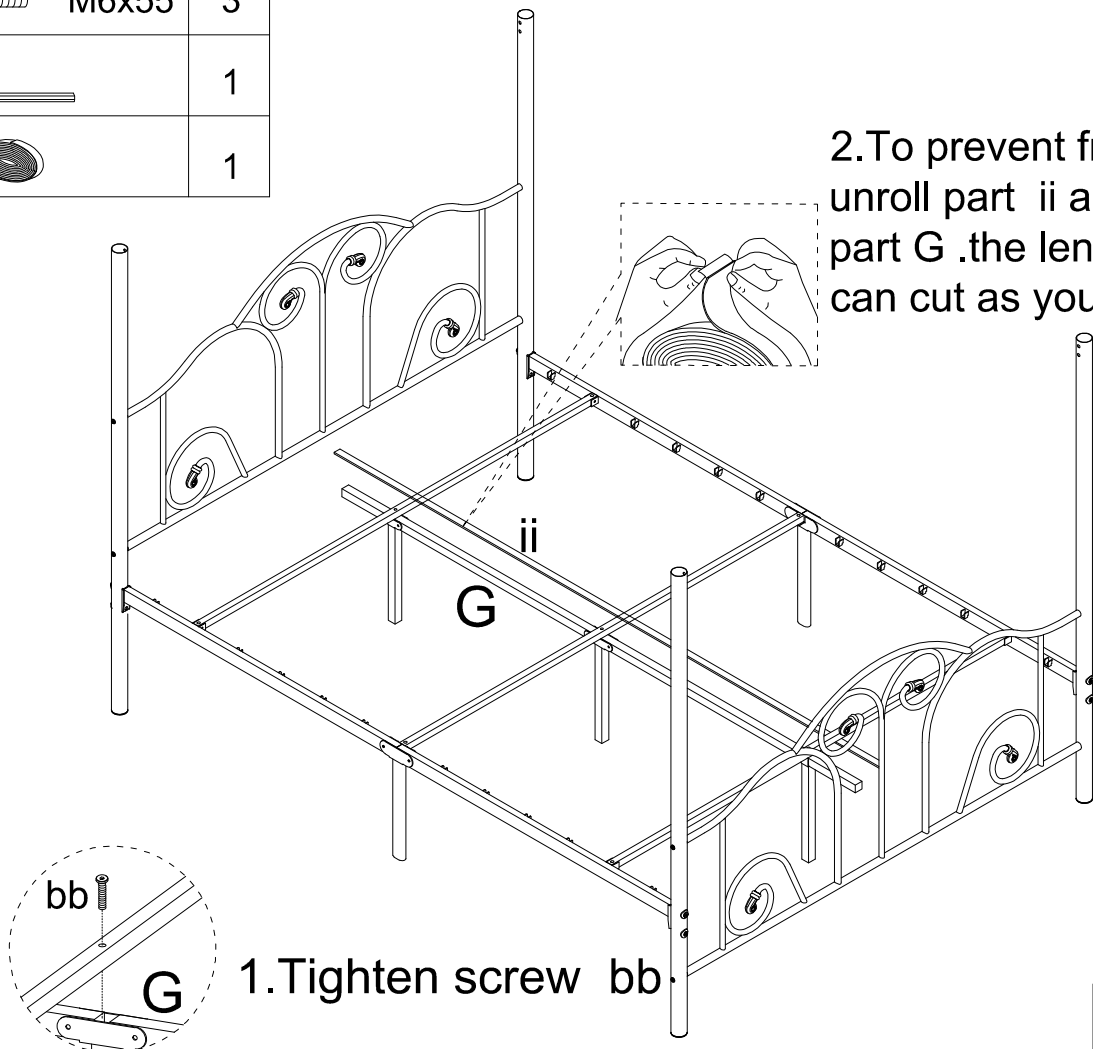
dd		M6x30	6
hh			1



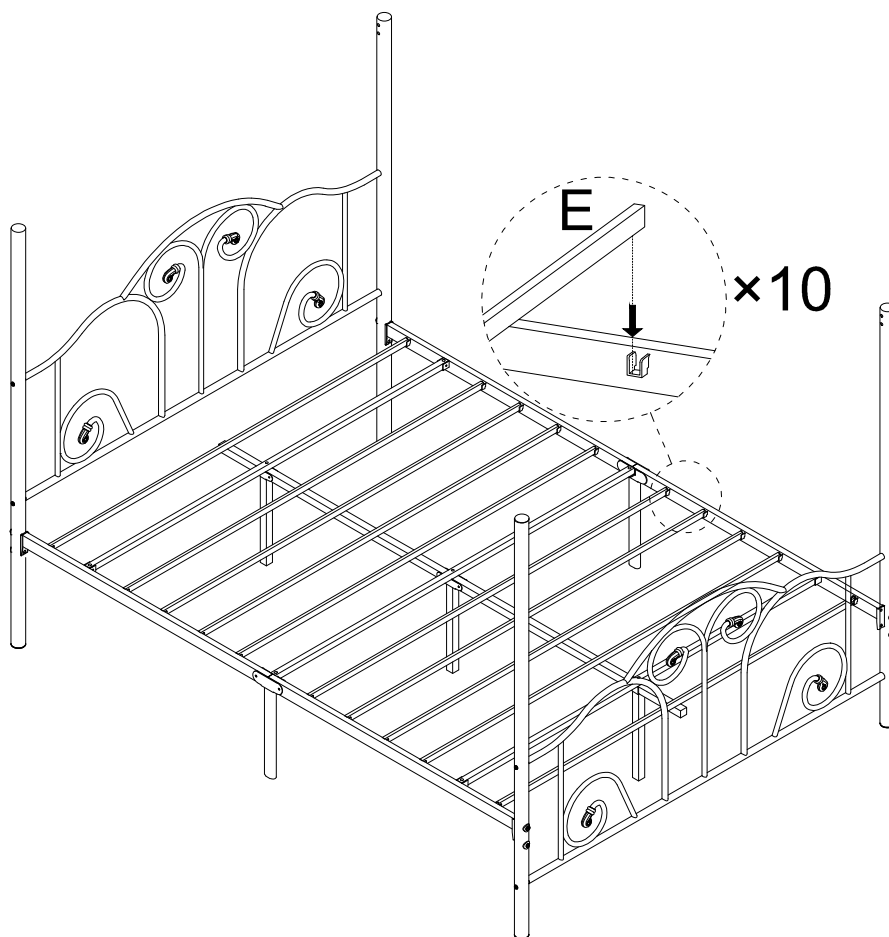


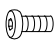

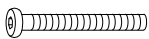

bb		M6x55	3
hh			1
ii			1

2.To prevent friction noise, unroll part ii and fit it on part G .the length of part ii can cut as you will.



1.Tighten screw bb.



ee		M6x12	12	ff		8
bb		M6x55	8			
hh			1			

