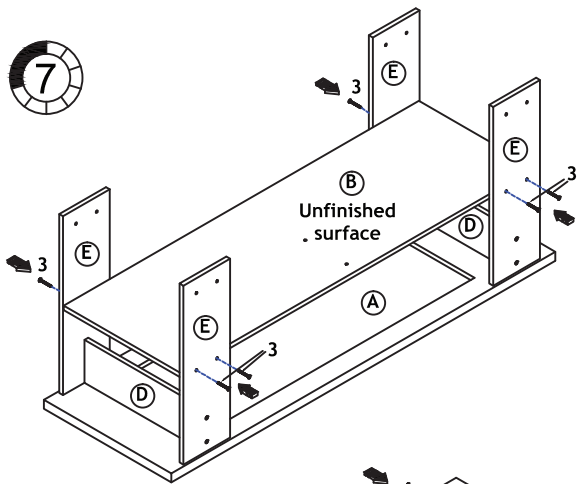
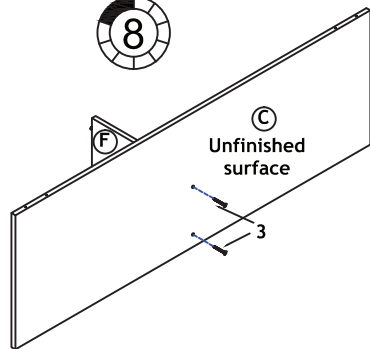


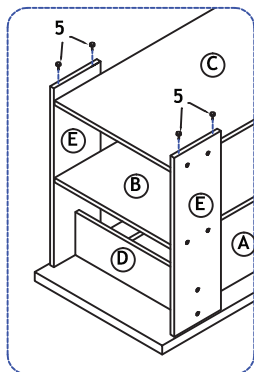
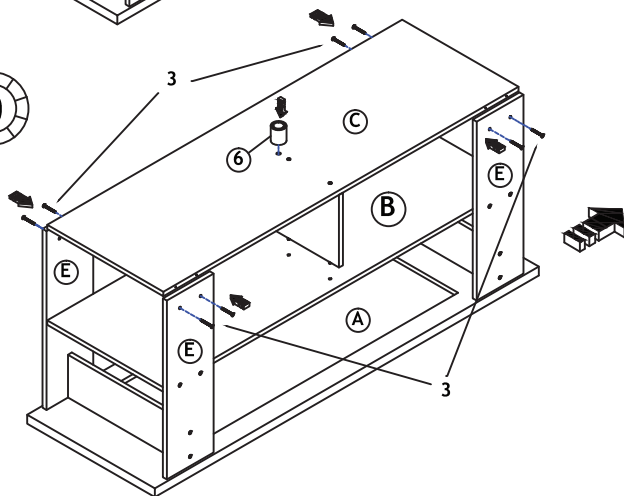
7



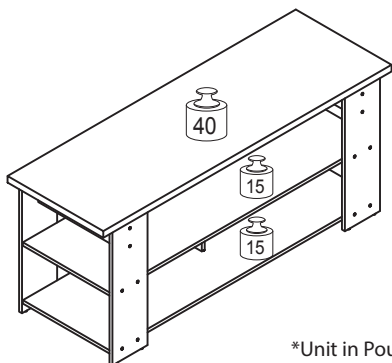
8



9



Recommended Maximum Weight



*Unit in Pound(lbs)

WARNING:

>This unit has been designed to support the maximum loads shown. Exceeding these load limits could cause sagging, instability, product collapse, and/or serious injury.

>DO NOT allow children to climb on unit.

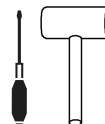
>Put heavier items on lower shelves.

00:30

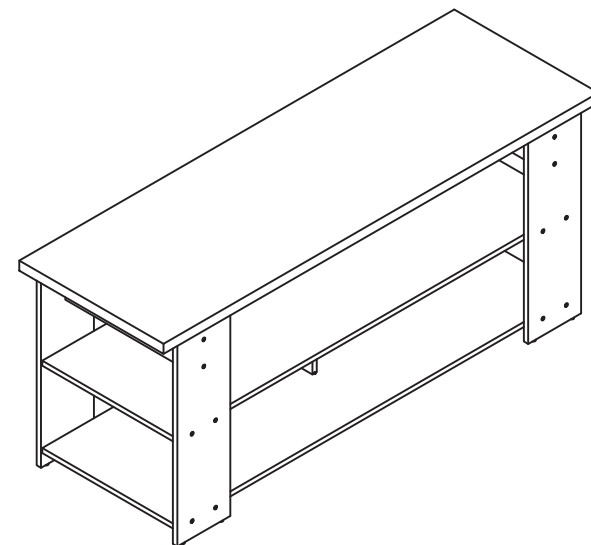
Approx. 30 minutes



Recomm. 2 Person

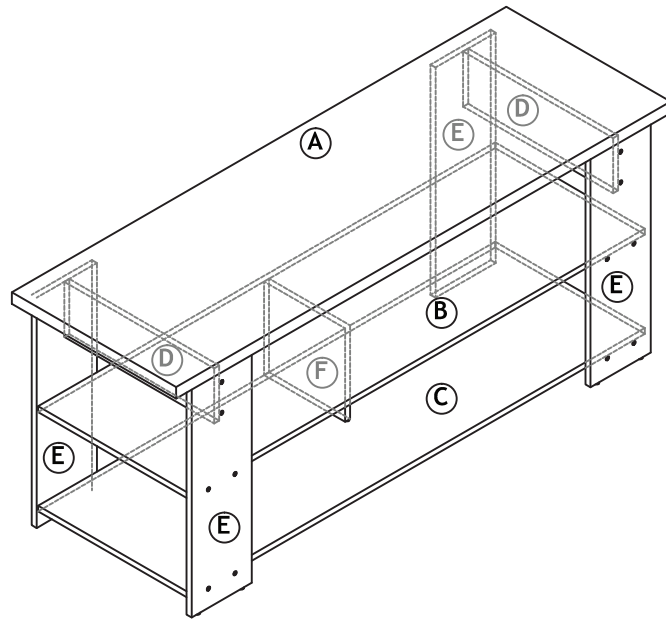


Tool Required



No	Hardware List	Qty
1	Mini Fix Bolt	4pcs
2	Mini Fix Cam	4pcs
3	Screw	26pcs
4	Dowel	10pcs
5	Nail Leg	8pcs
6	Plug Leg	1pc

No	Parts List	Qty
A	Top Panel	1pc
B	Center Panel	1pc
C	Bottom Panel	1pc
D	Upper Support Panel	2pcs
E	Leg Panel	4pcs
F	Divider Panel	1pc



USEFUL HINTS BEFORE YOU START:

1. Read each step carefully before starting.
2. It is important that each step is performed in correct order to avoid difficulties.
3. Identify, sort and count the parts before assembly.
4. Assemble your furniture on packaging cardboard to prevent scratch or damage.
5. Clean the product with mild cleanser using soft damped cloth. Do not use harsh or abrasive cleanser.
6. Using incompatible hardware might cause damage to product.

ASSEMBLY INSTRUCTION

