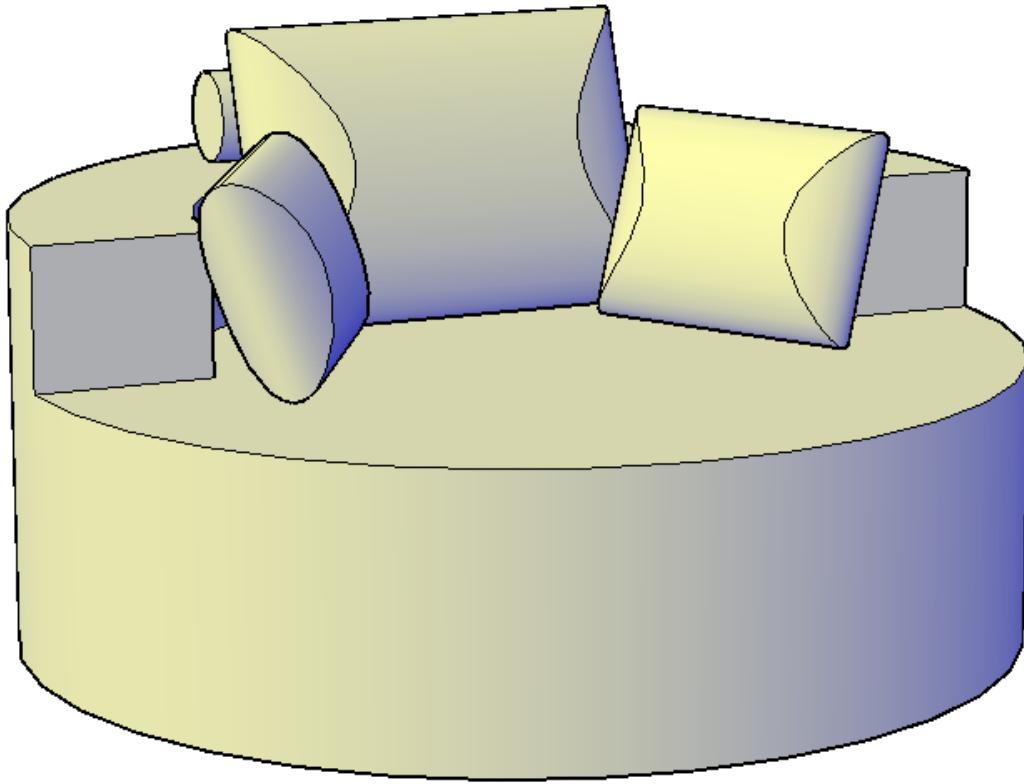
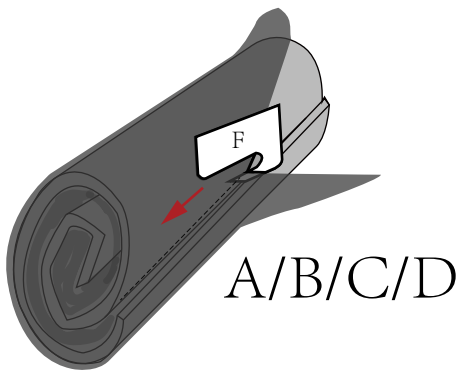


ASSEMBLY INSTRUCTIONS

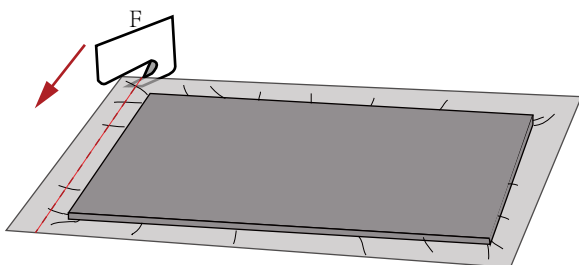
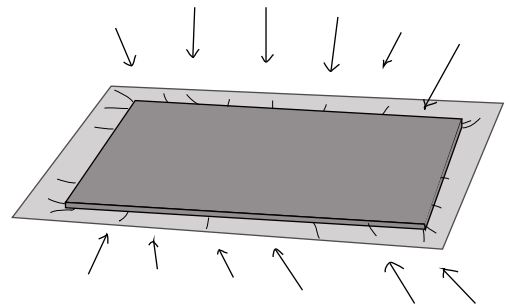
————— Thank you for choosing our product!



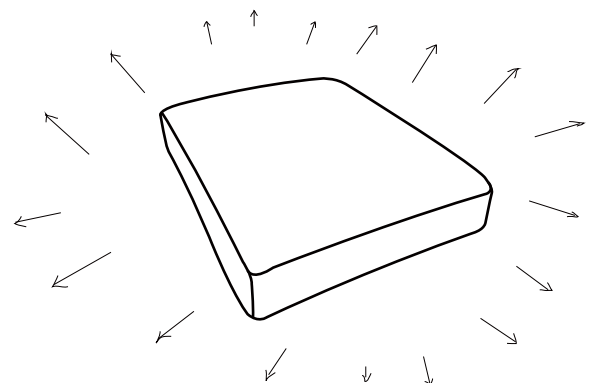
! Note: Vacuum compress it, open it carefully, and pat it with your hand a few times to let it unfold evenly, it will return to its full state after about **72 hours**. **(Refer to the full instructions that follow for details on how to do this.)**



Be careful.
Open →



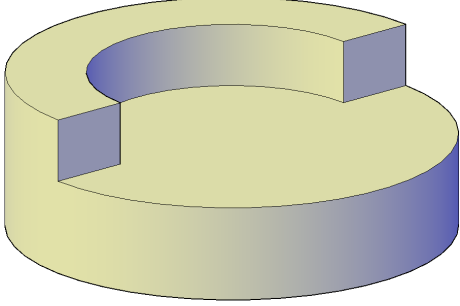
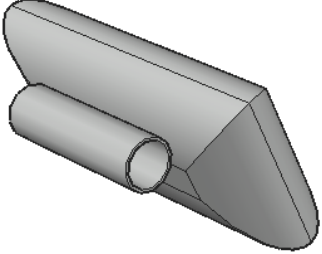
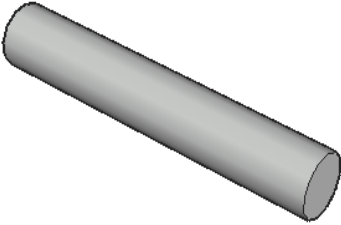
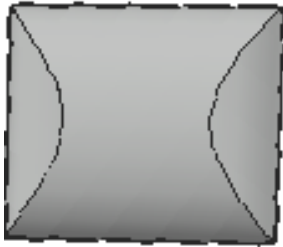
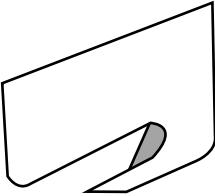
Be careful.
Open →



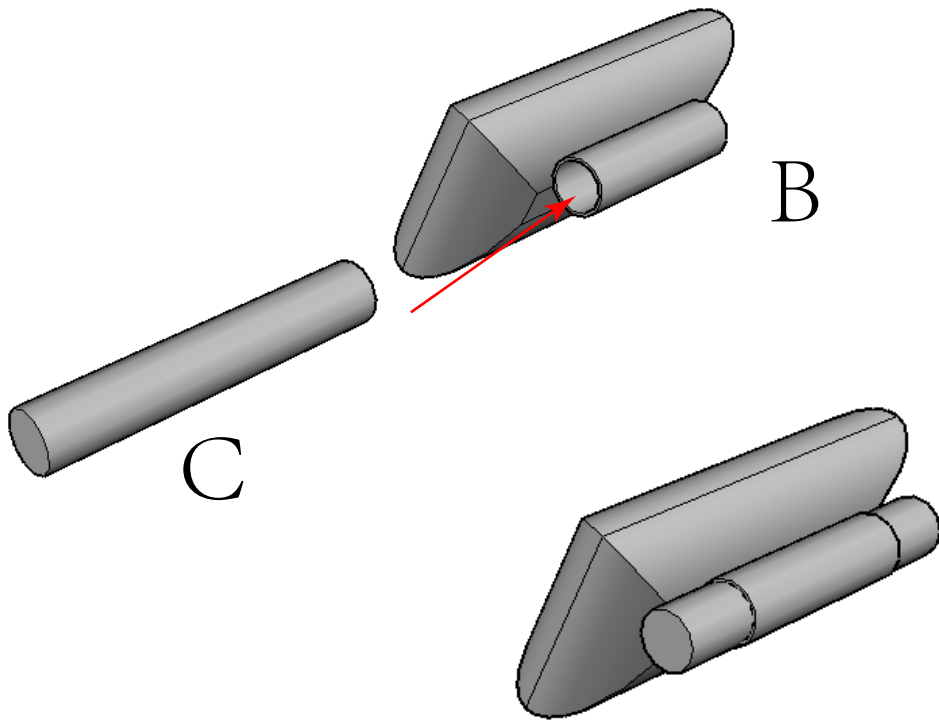
Assembly:

1. First open all compressed couches, carefully. And wait to return to fullness (see detailed instructions later).
2. Organize all the corners and pat or pull them down with your hands. After waiting 72 hours for the product to recover, the customer will need to zipper up the zipper (The zip on the compressed product part is not fully closed to allow for vacuum compression. This also allows the foam to spring back when opened).
3. then arrange all the patches in the desired way to combine them.

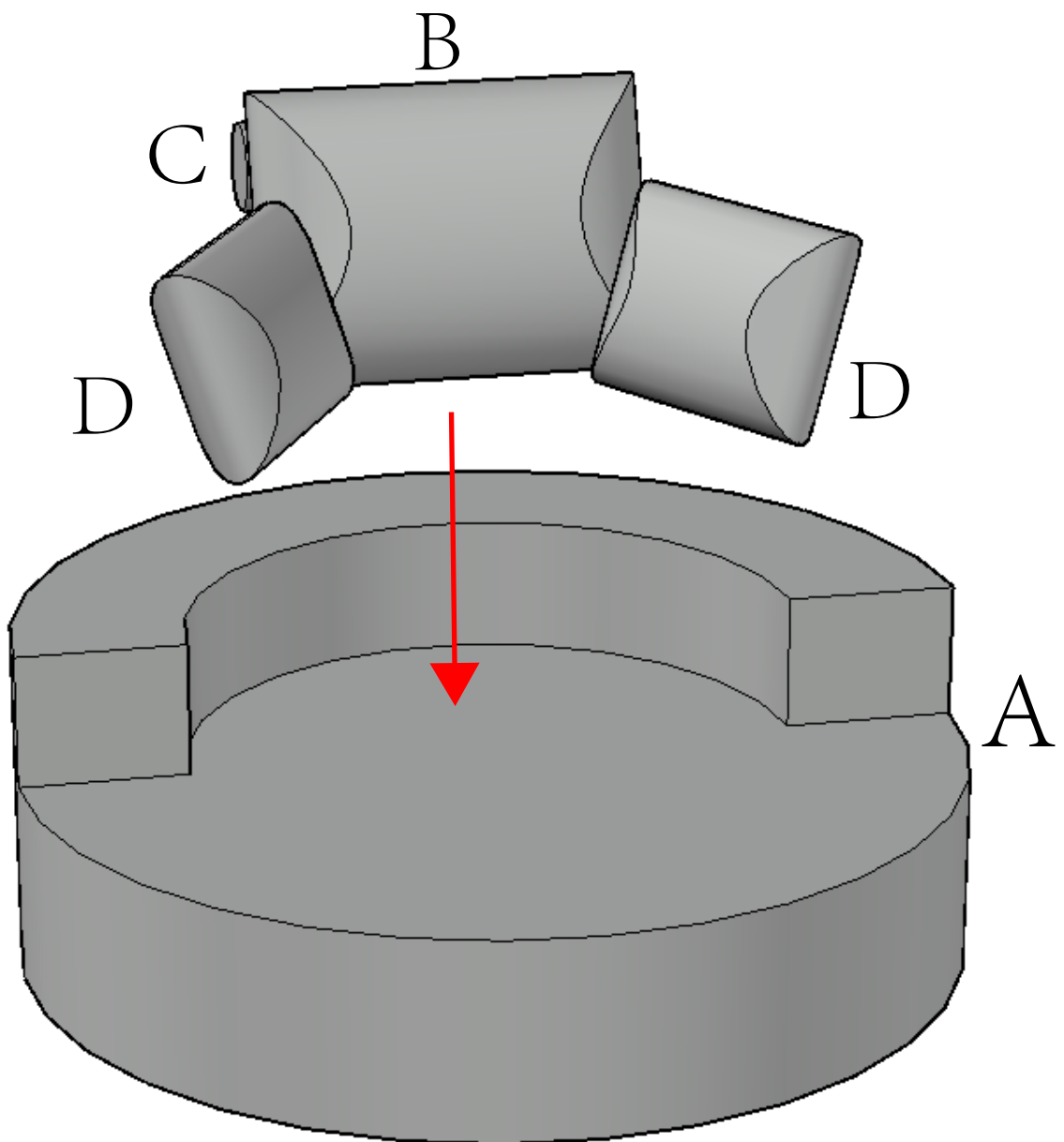
PART LIST:

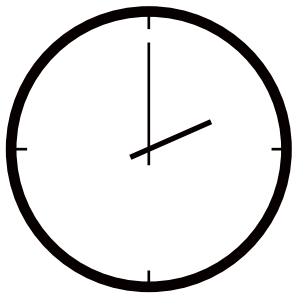
A		B	
1 PCS		D	
C	1 PCS	2 PCS	
E	 <p data-bbox="453 2069 533 2101">blades</p>		
1 PCS			

Step 1:



Step 2:



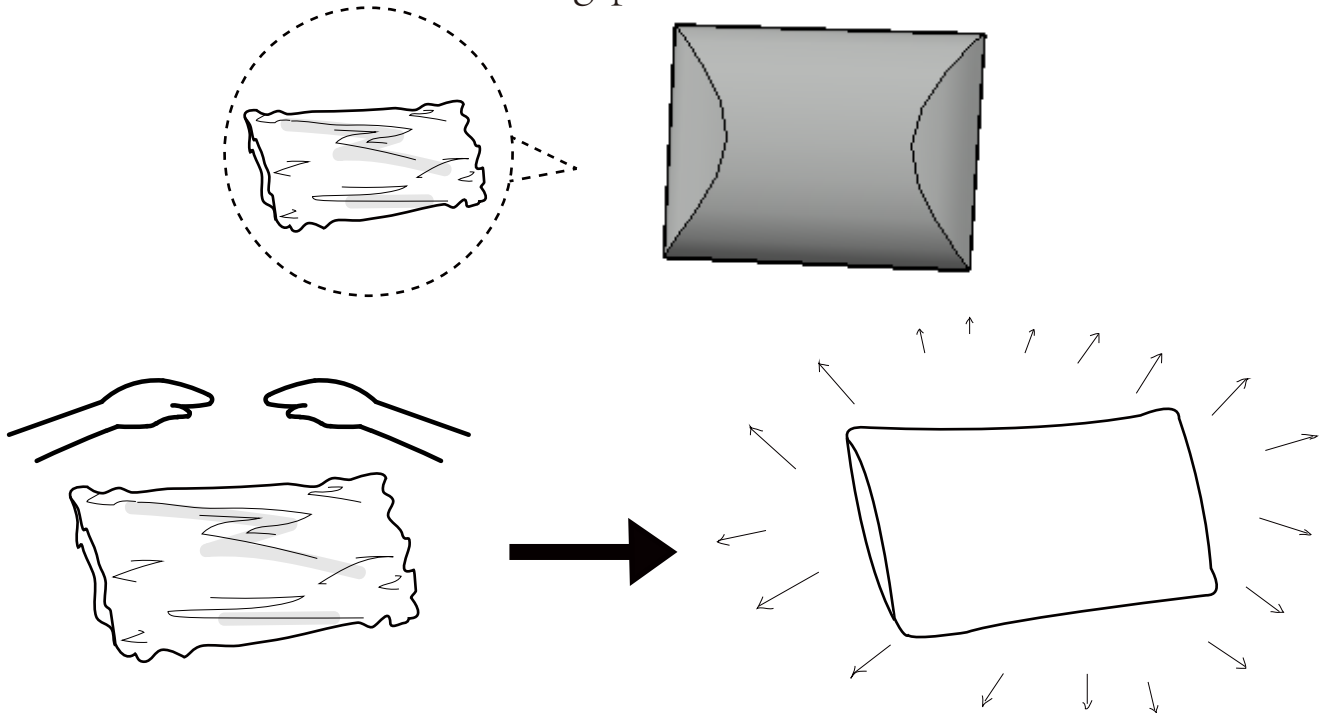


... Wait **72h**

After opening the compression bag (Note: Please do not cut with a knife, so as not to damage to the product), the corners around the cushions if there are wrinkles, you need to wait for about 72 hours, it is recommended that guests pat and knead the corners of the sofa, in order to sponge better recovery. If needed, contact the seller to provide a video of patting and finishing the sofa.

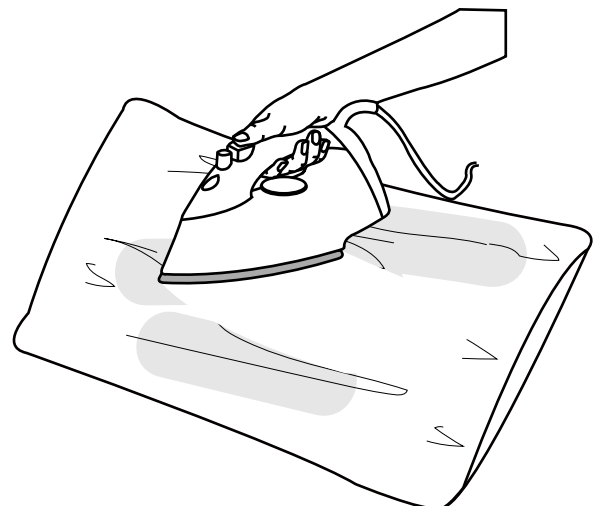
If you need any help, please take a picture and contact the seller.

—About the state of the cushion bag/pillow

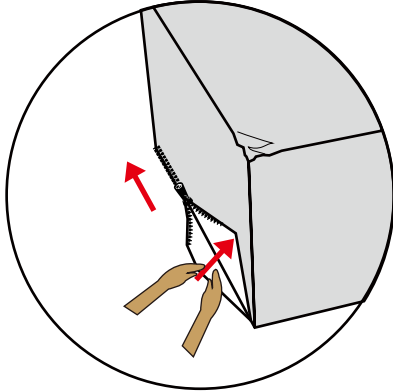
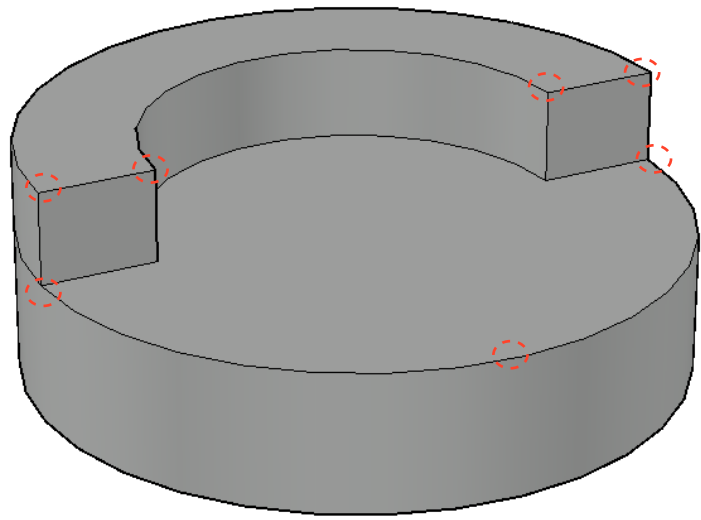
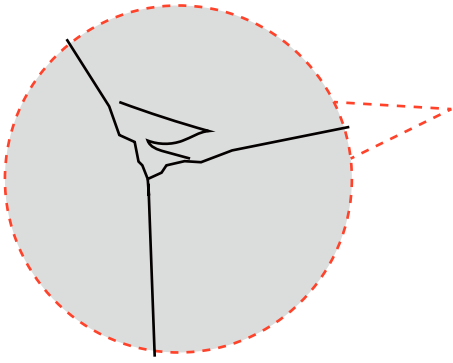


- Pat to make it rebound better and fluffy.
- Knead your cushion like giving your cushion a massage while allowing the air to flow through the foam.

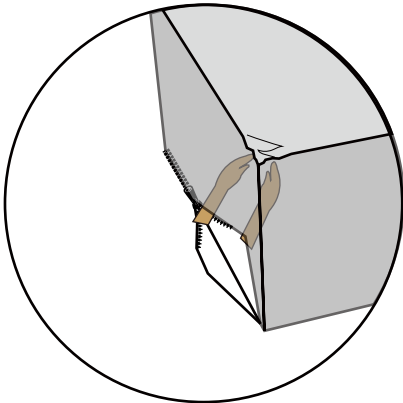
- Partial wrinkles on the surface of the fabric can be smoothed out with an iron.



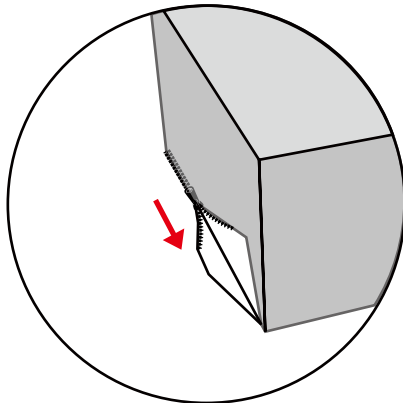
— About the sofa body



- Unzip the bottom of the product.
- Put your hand in.



- Gently pat and knead to tidy up the creased sponge.



- Wait for the sponge to become full and flat before Zip up the bottom of the product.

- Partial wrinkles on the surface of the fabric can be smoothed out with an iron.

