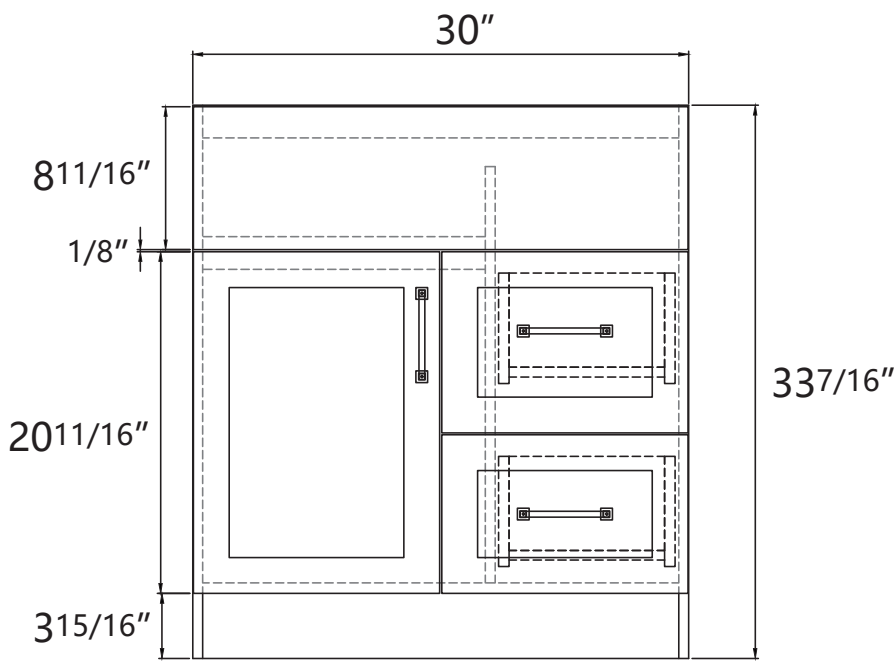


# DIMENSION DETAILS

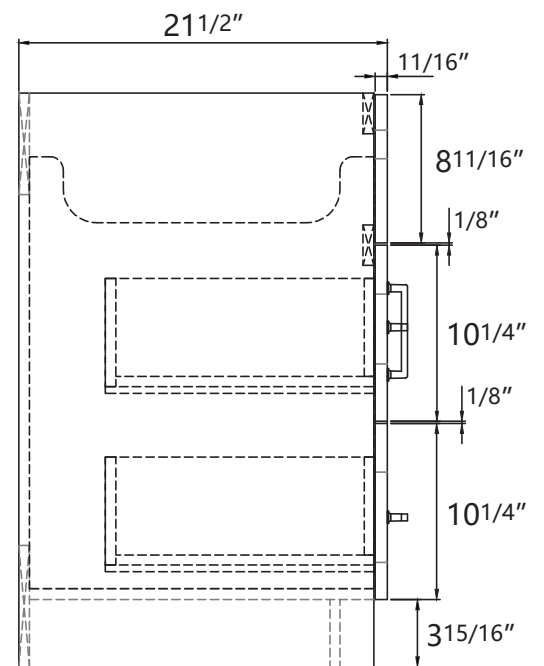
## BATHROOM VANITY



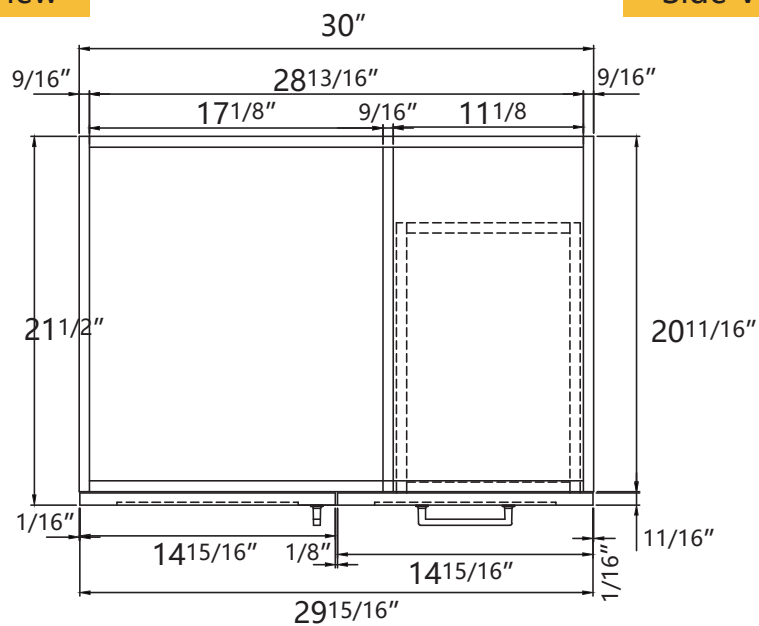
# VANITY SIZE



Front View



Side View



Top view