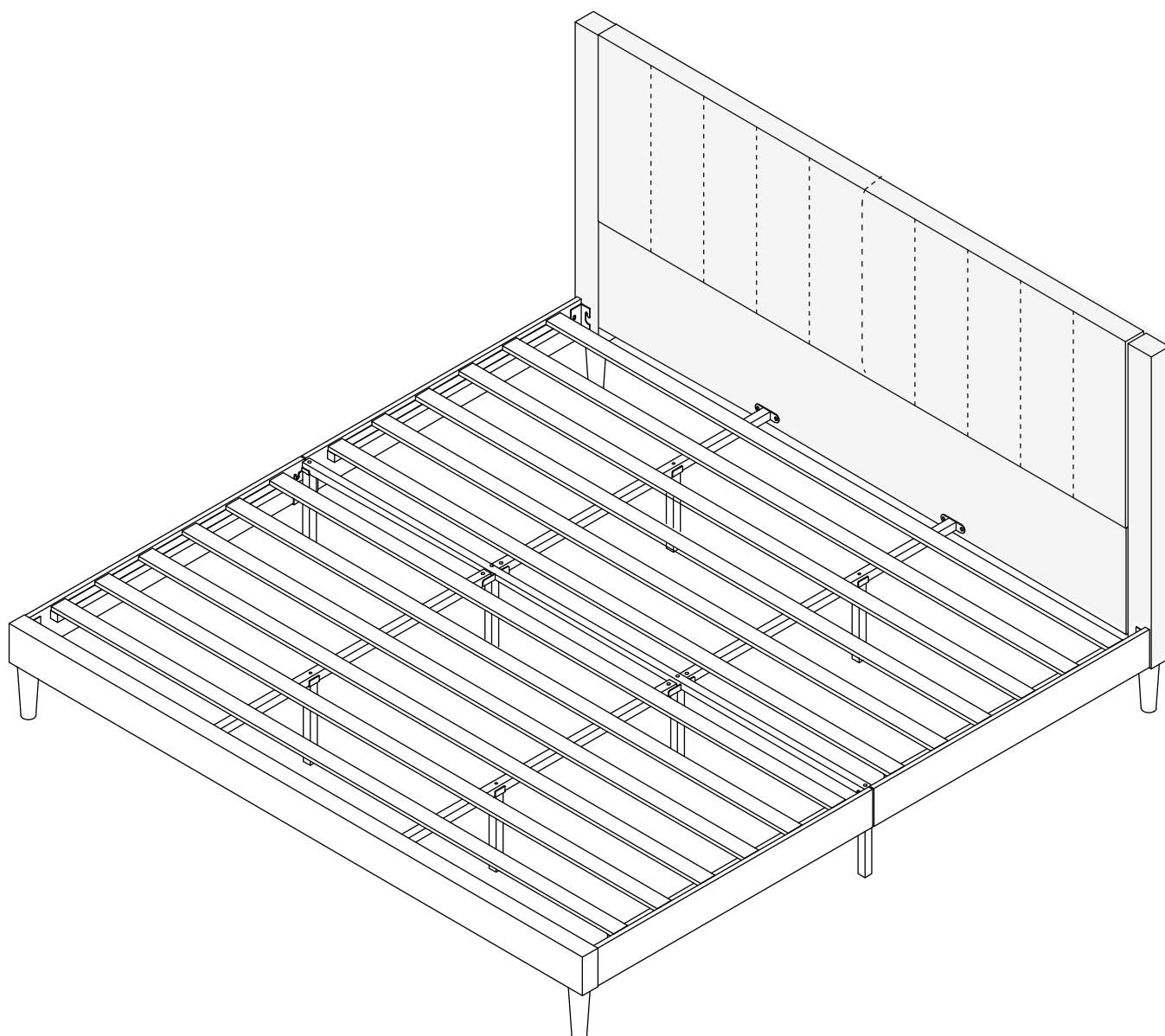


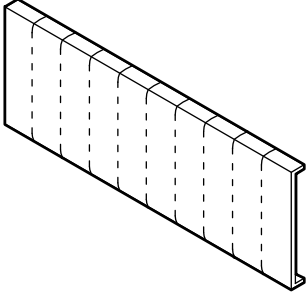
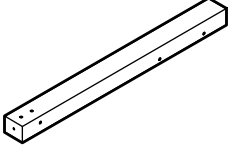
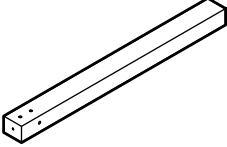
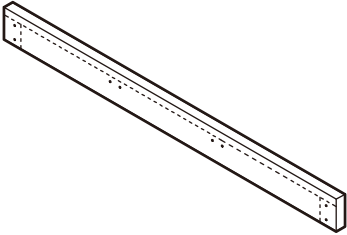
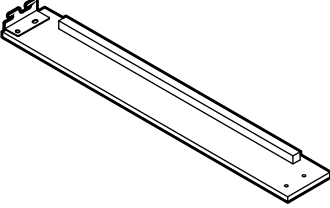
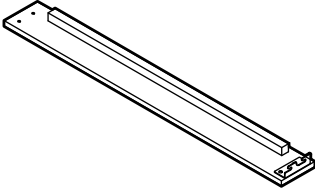
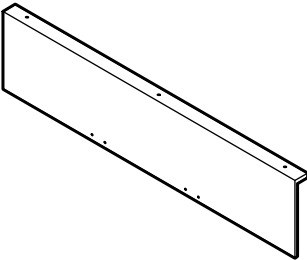
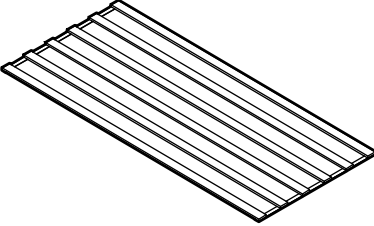
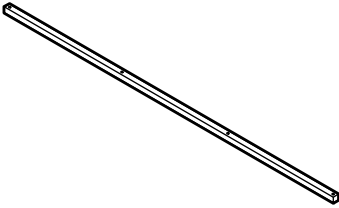
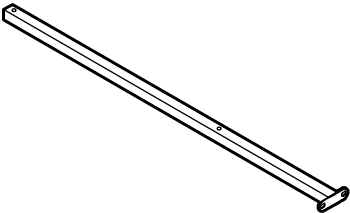

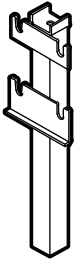
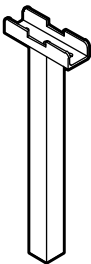
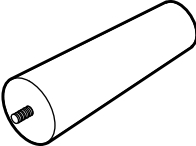
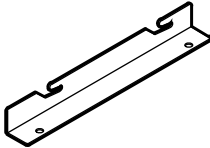
Platform Bed

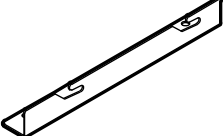
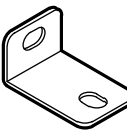
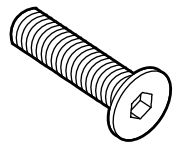
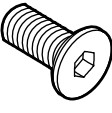
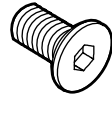
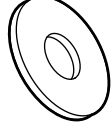

XHTJB003

ORIGINAL INSTRUCTION MANUAL

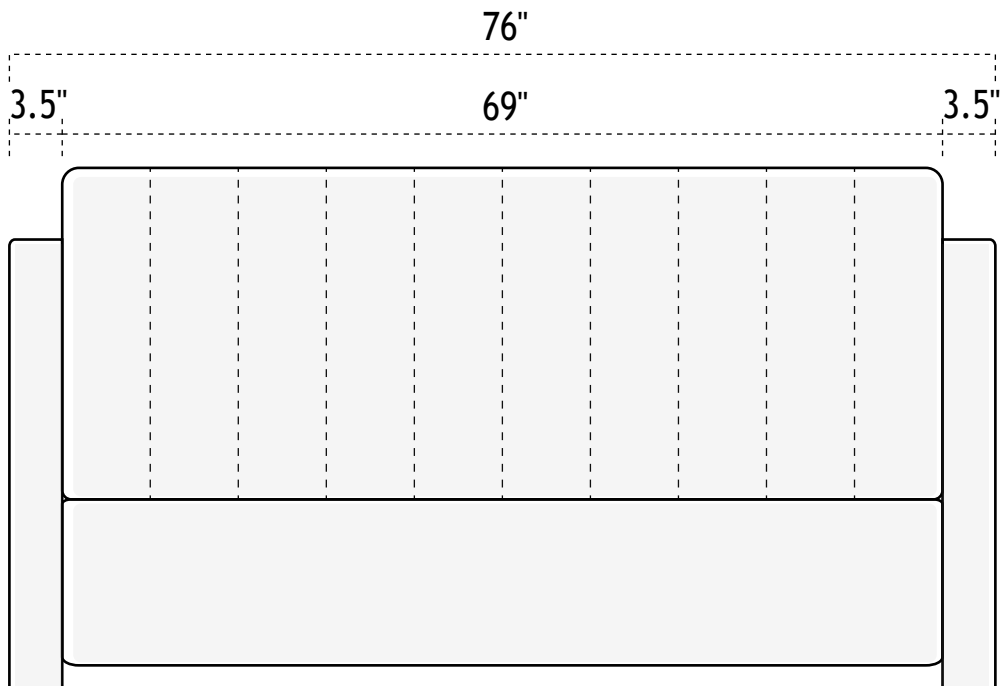


COMPONENTS

<p>A</p> 	<p>1× B1</p> 	<p>1× B2</p> 	<p>1×</p>
<p>C</p> 	<p>1× D11</p> 	<p>2× D22</p> 	<p>2×</p>
<p>E</p> 	<p>1× F</p> 	<p>2× G</p> 	<p>1×</p>
<p>H</p> 	<p>4× I</p> 	<p>4× J</p> 	<p>2×</p>
<p>K</p> 	<p>2× L</p> 	<p>4× M1</p> 	<p>1×</p>

M2  1×N	 2×	P1  M8×45MM 15×
P2  M8×16MM 34×	P3  M8×12MM 2×	
P4  M8×Ø22mm 3×	P5  M8 Spanner 1×	

Exploded View of the Headboard



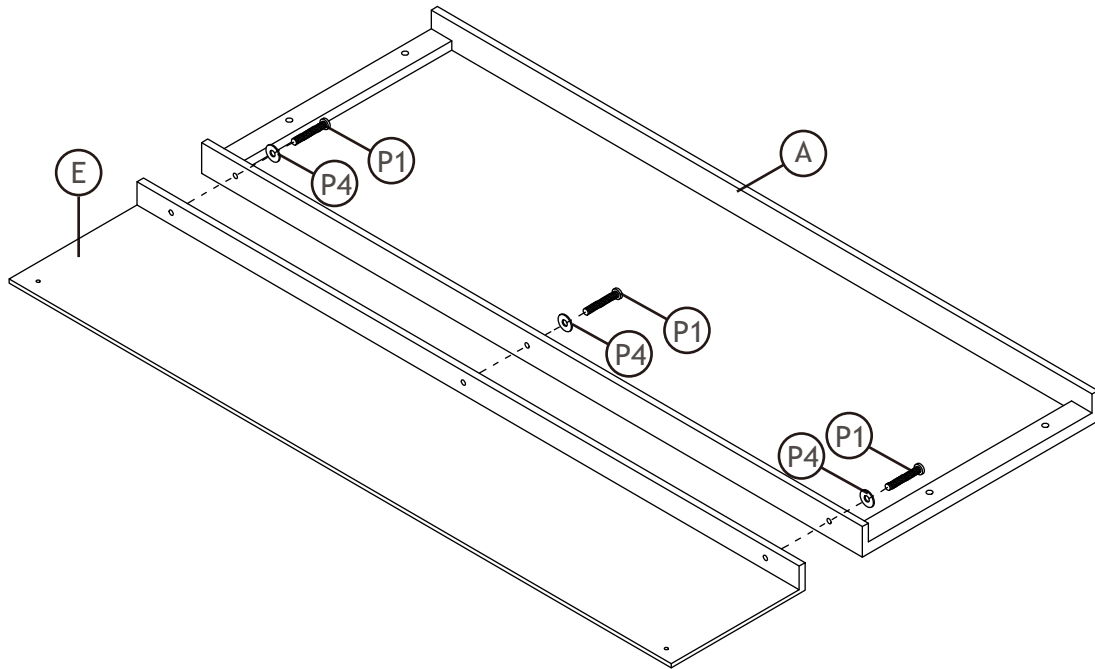
NOTICE: The complete headboard consists of 2 side posts and 2 panels.

ASSEMBLY

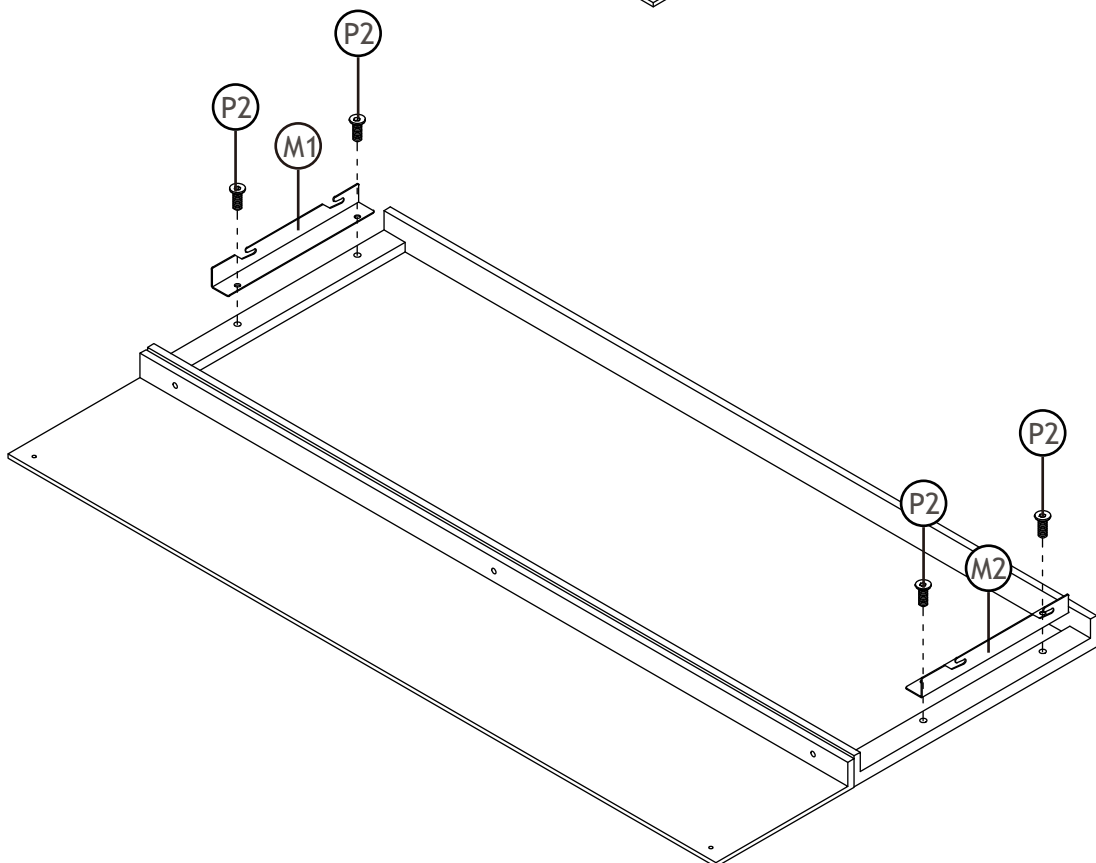
Before your installation, please make sure that you have all the parts listed on the manual. If you find something missing, stop installing and contact your supplier immediately

Please do not completely tighten all the hardware, until the entire assembly is complete, unless otherwise indicated in the step-by-step instructions.

1

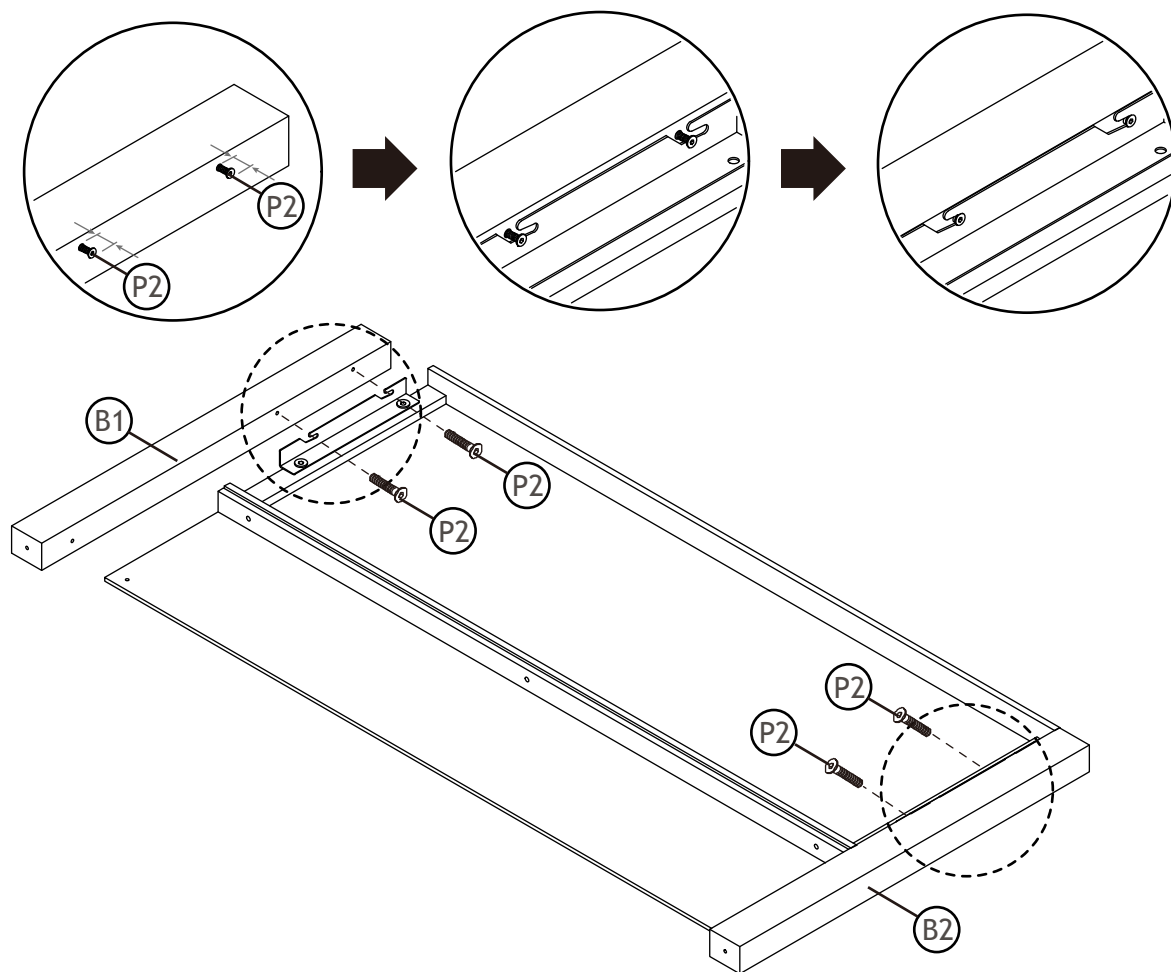


2

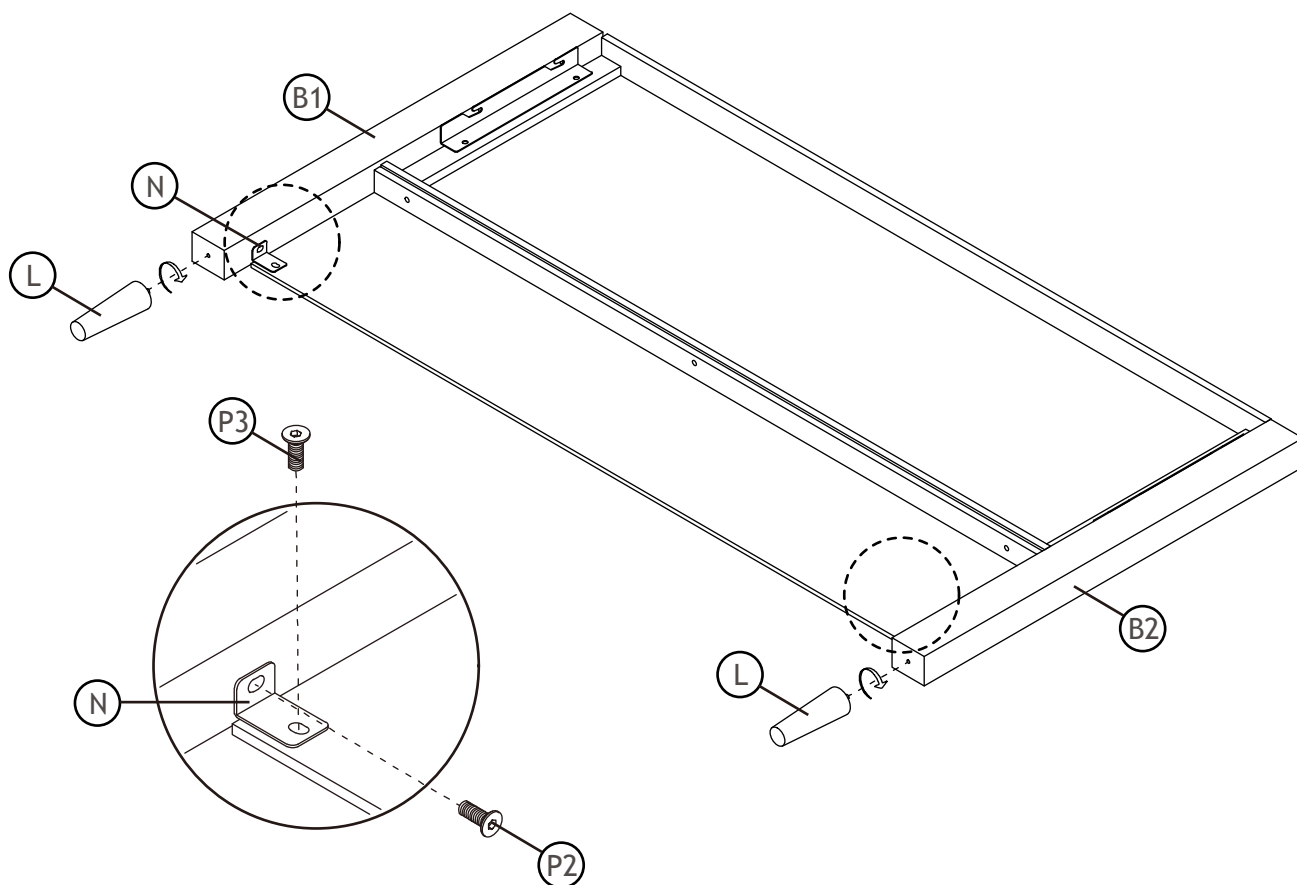


3

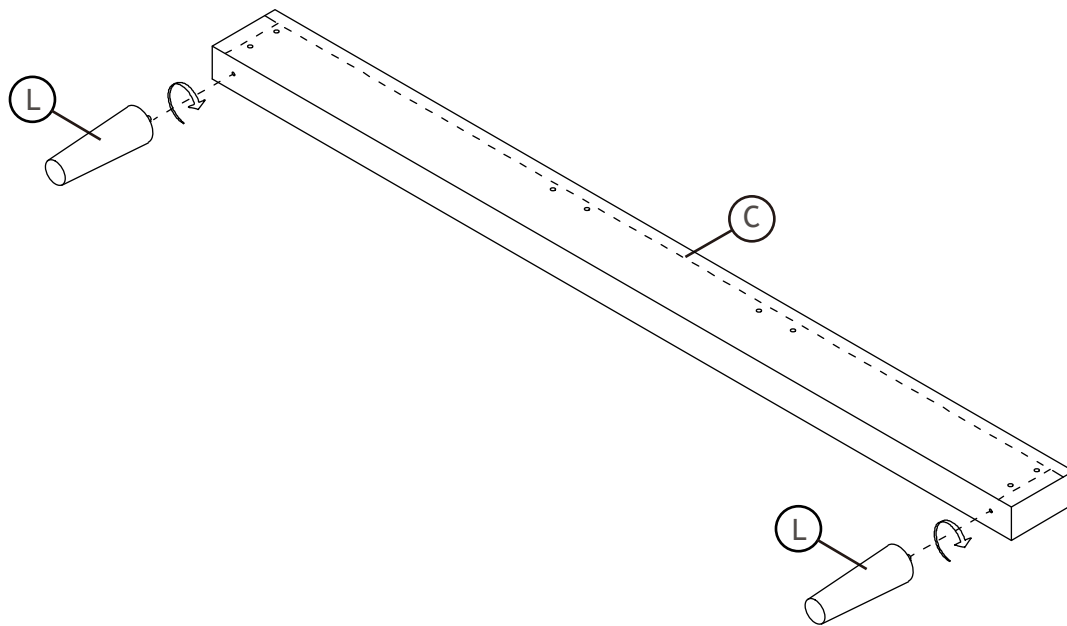
Please screw bolt in 1/2 at the marked position to make assembly easier.



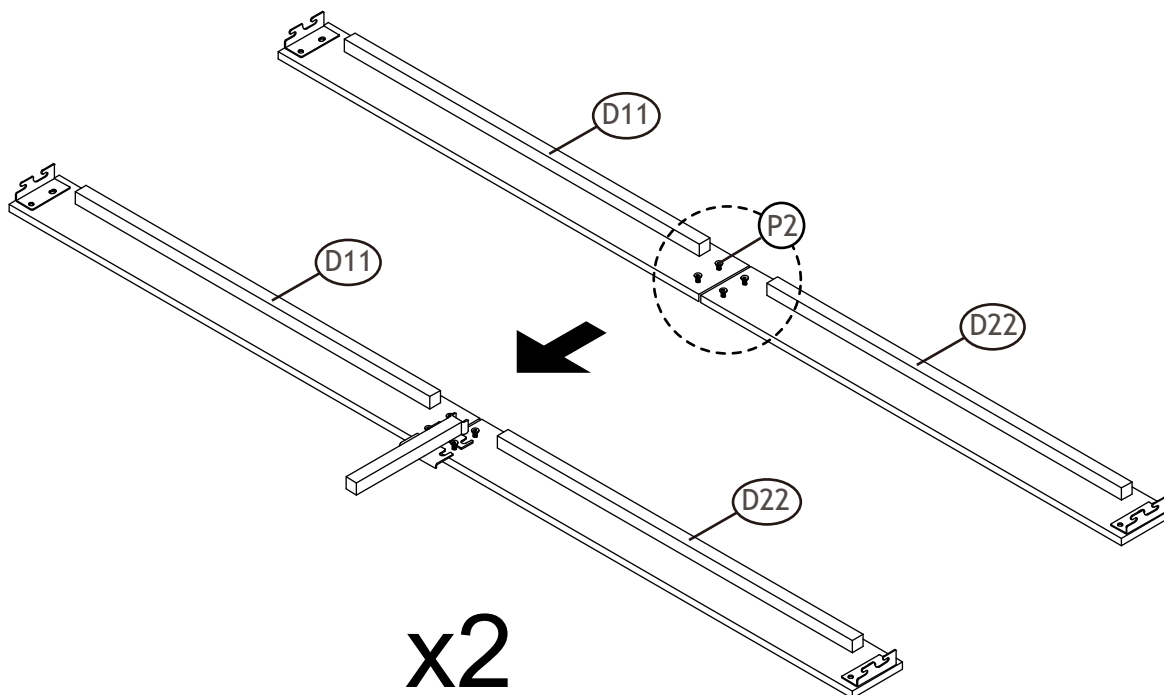
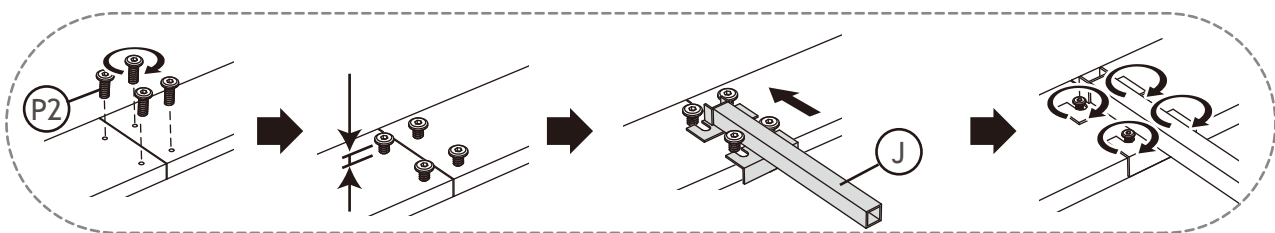
4



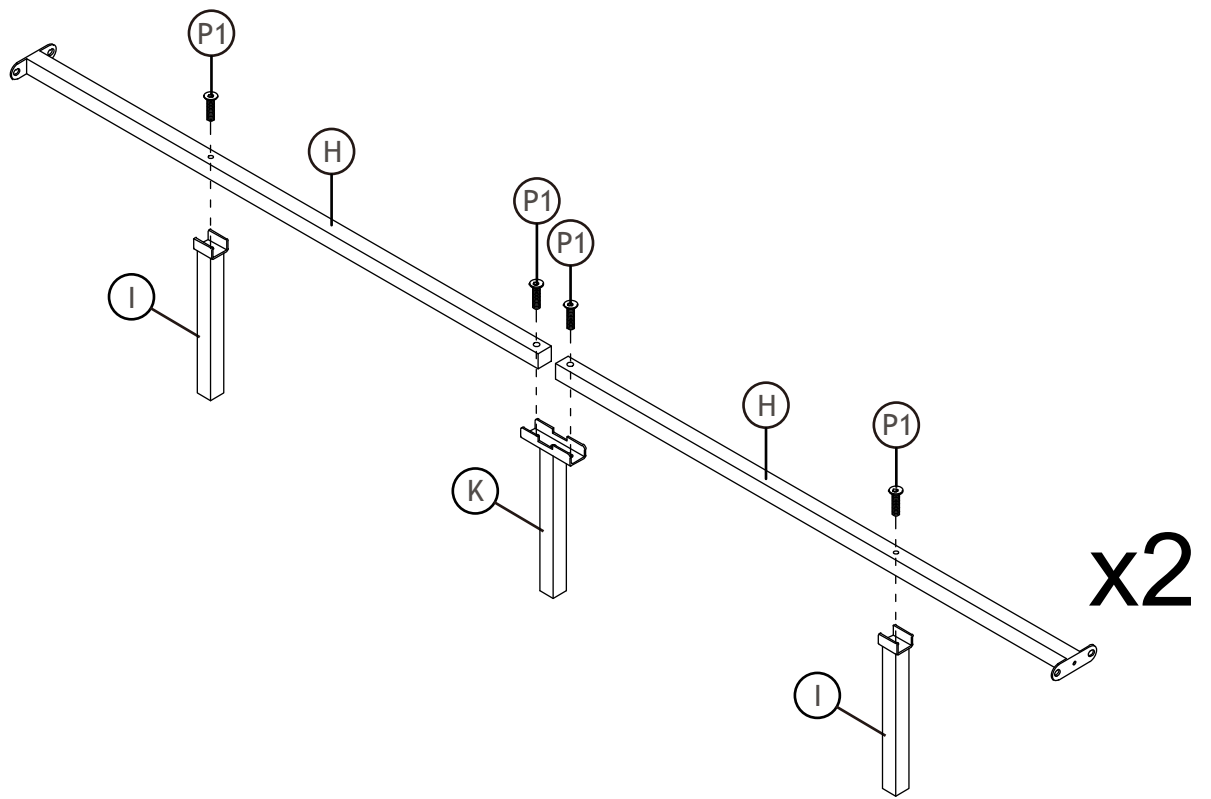
5



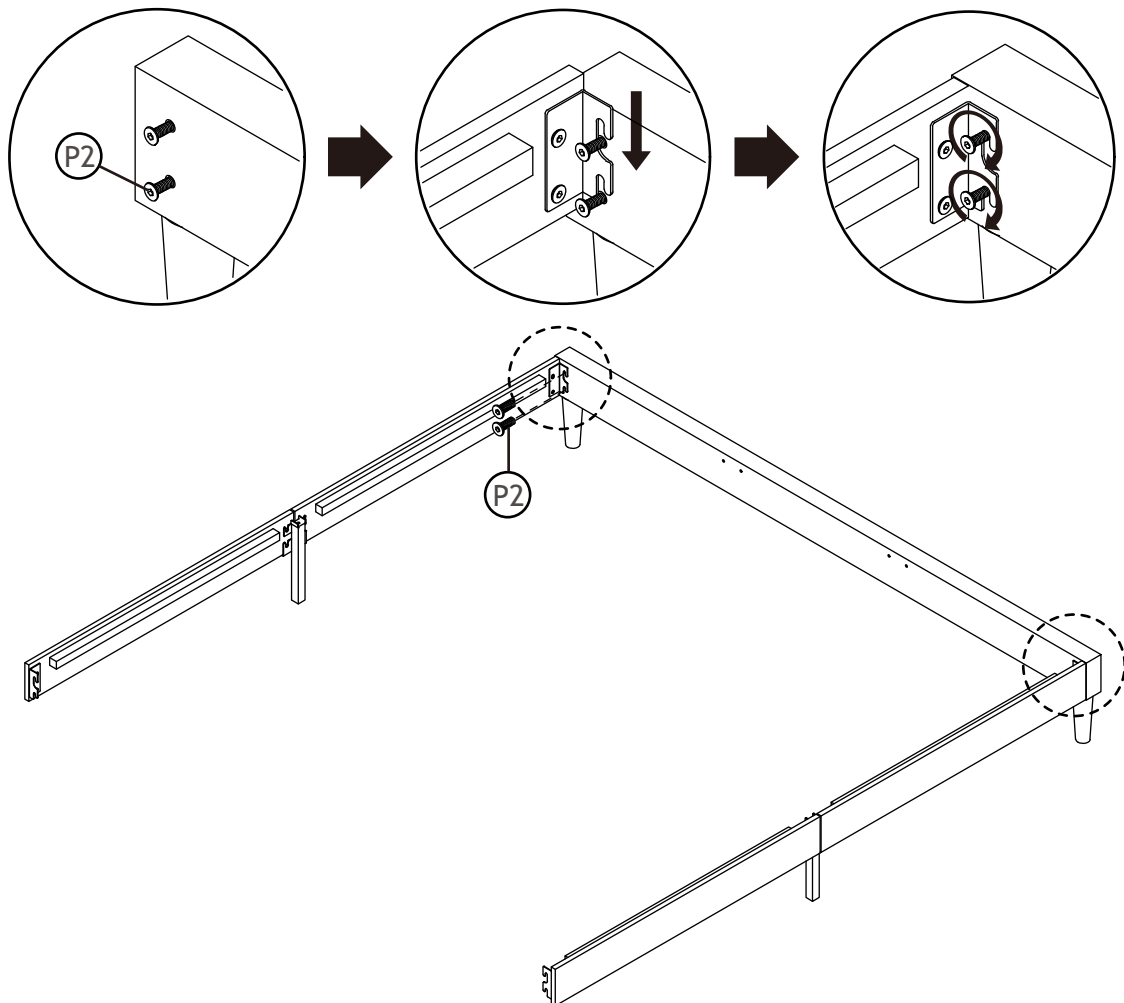
6 Please screw bolt in 1/2 at the marked position to make assembly easier.



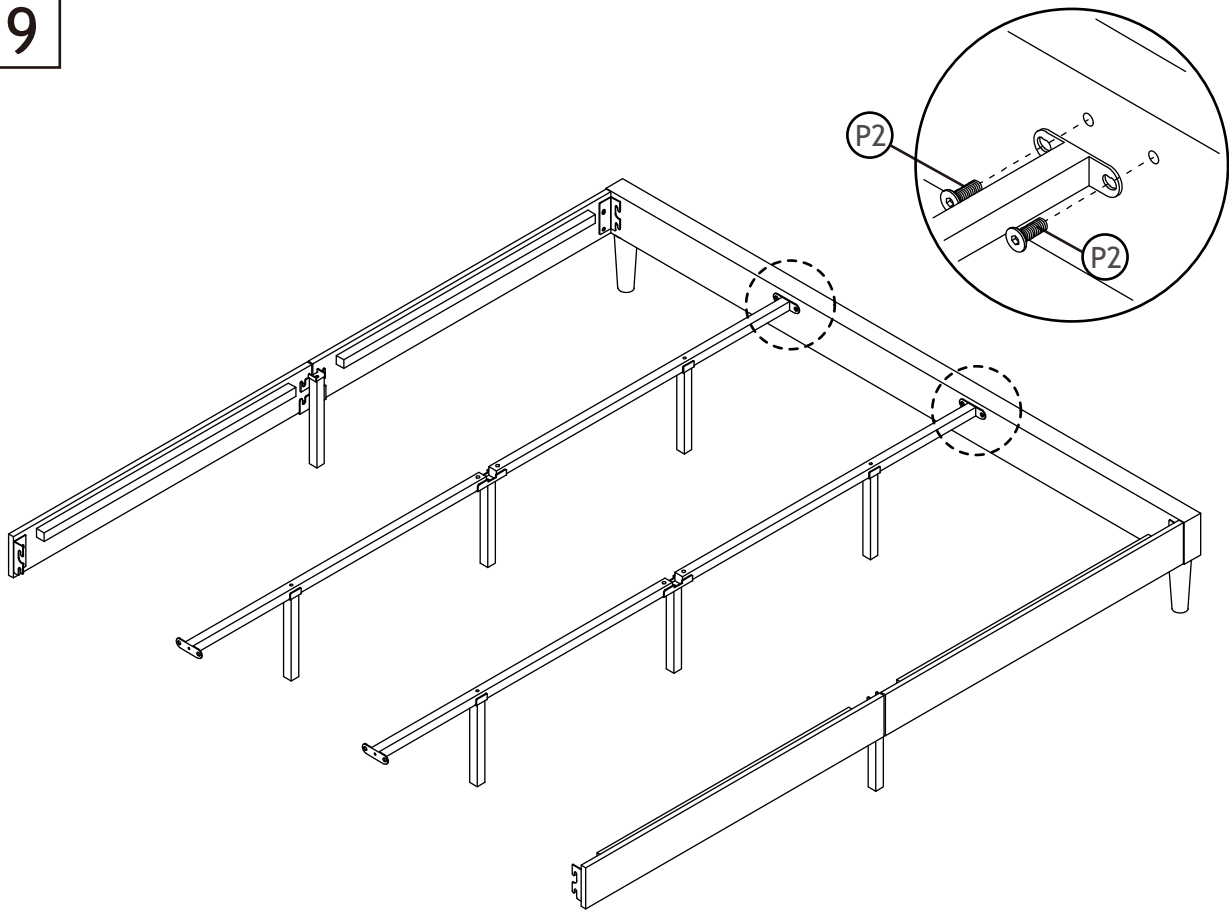
7



8 Please screw bolt in 1/2 at the marked position to make assembly easier.

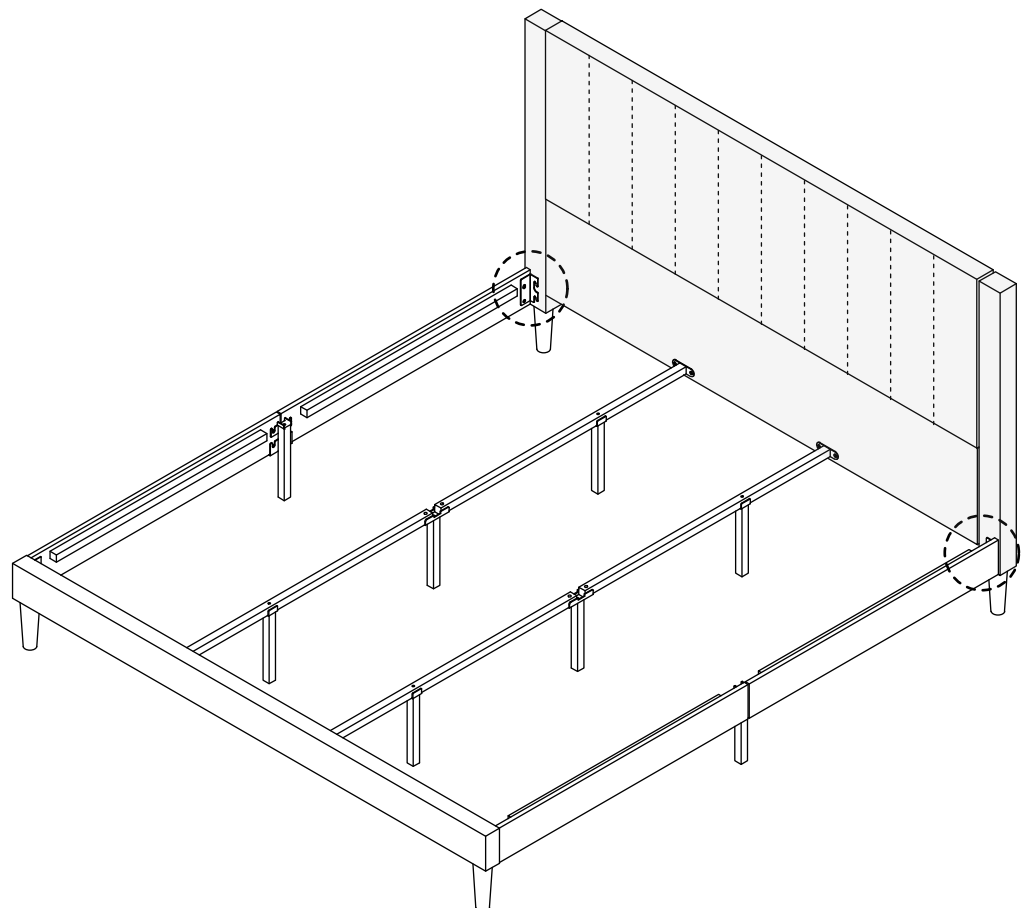
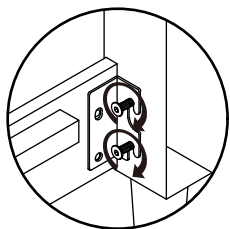
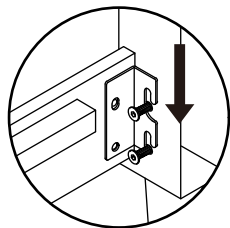
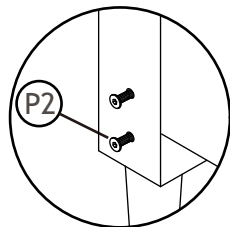


9

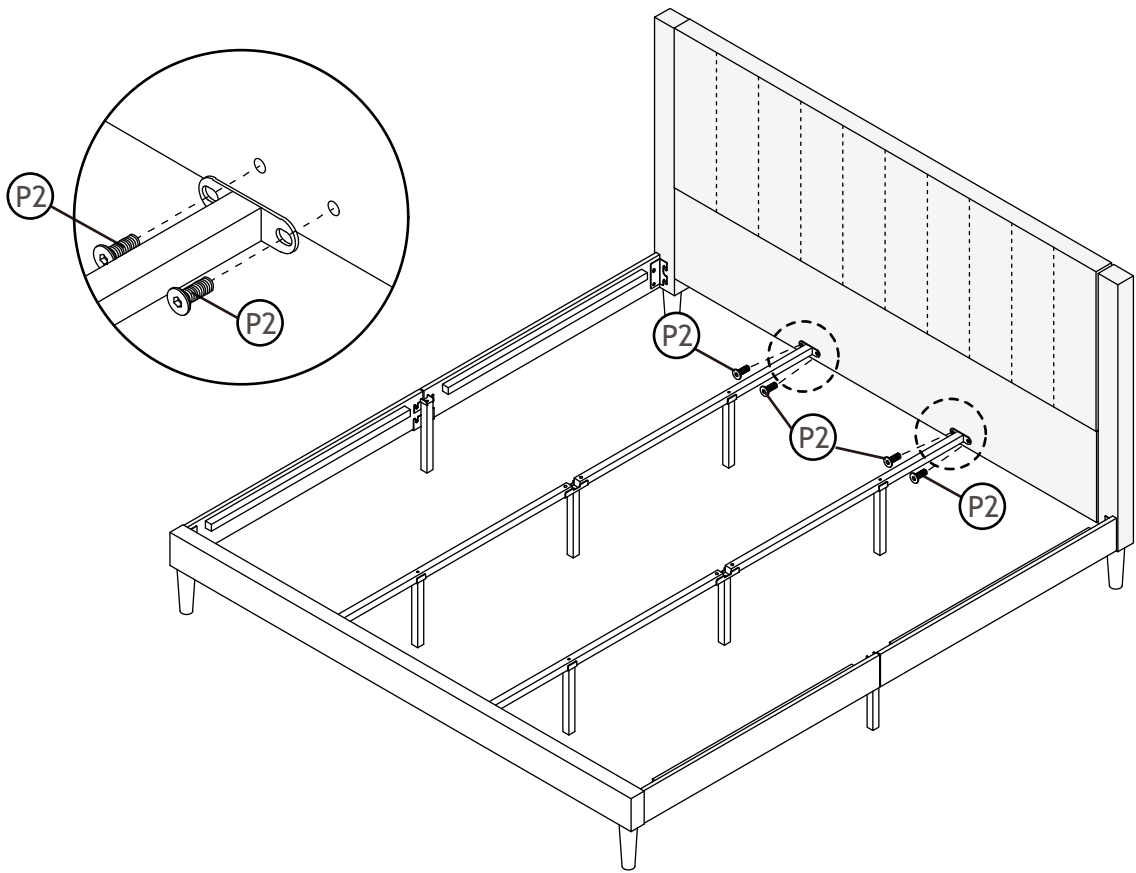


10

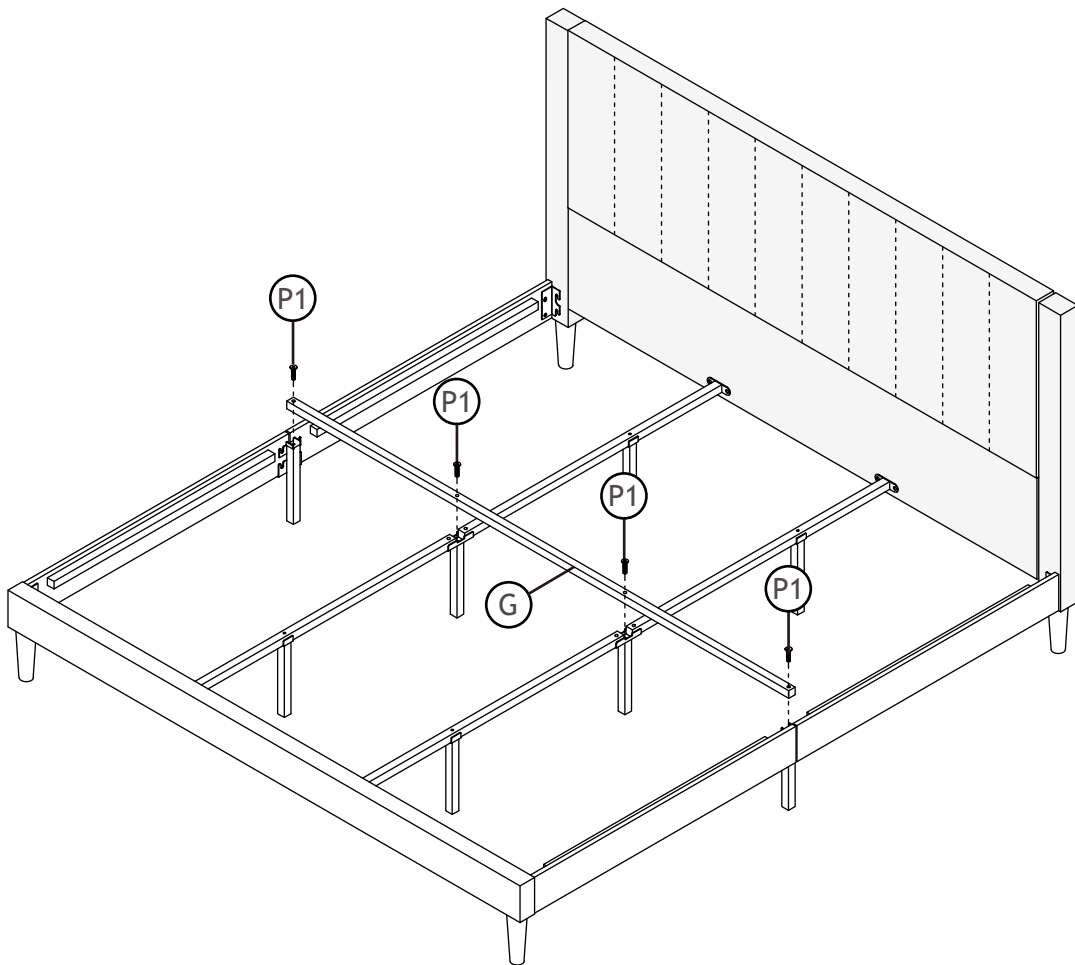
Please screw bolt in 1/2 at the marked position to make assembly easier.



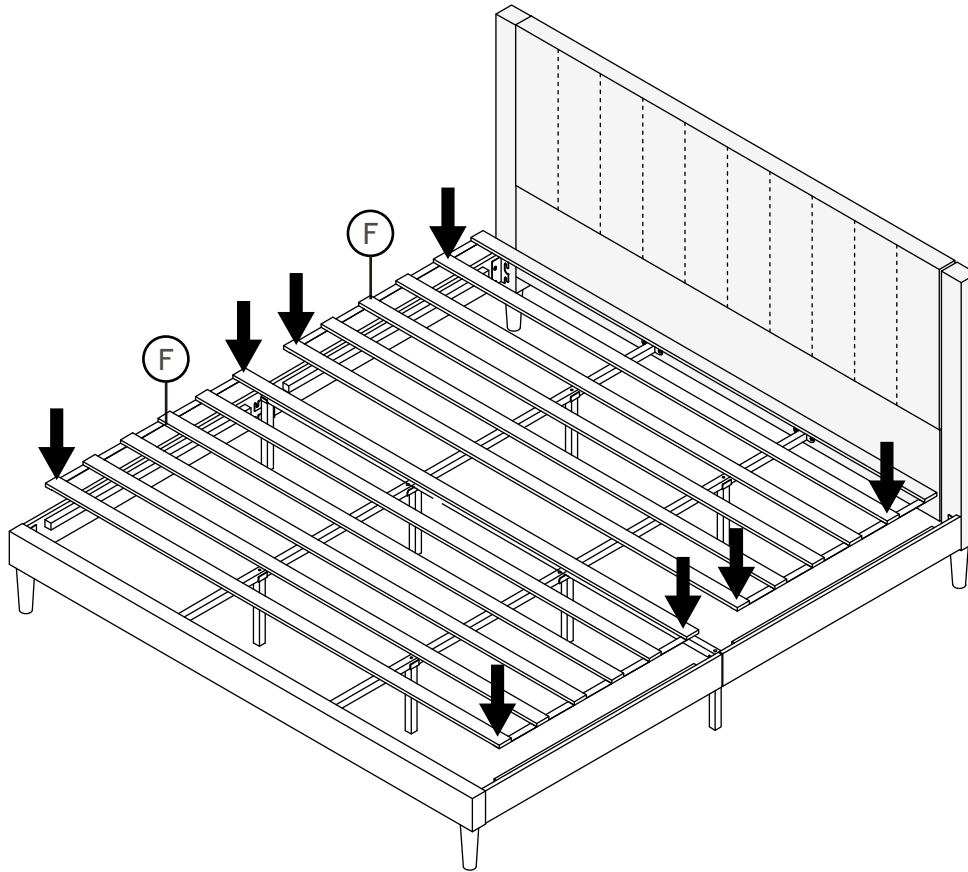
11



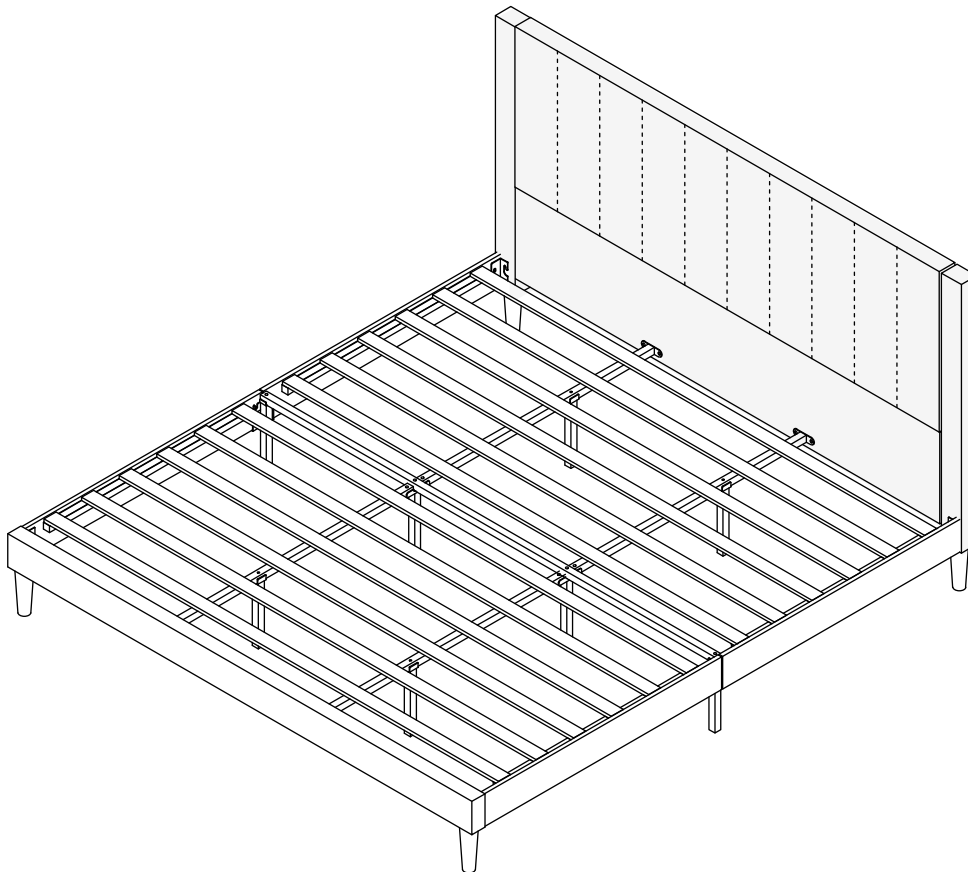
12



11



12



Made in china