



furnishing better
lives together[®]




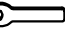
WWW.JOFRAN.COM

ASSEMBLY INSTRUCTIONS & PARTS IDENTIFICATION

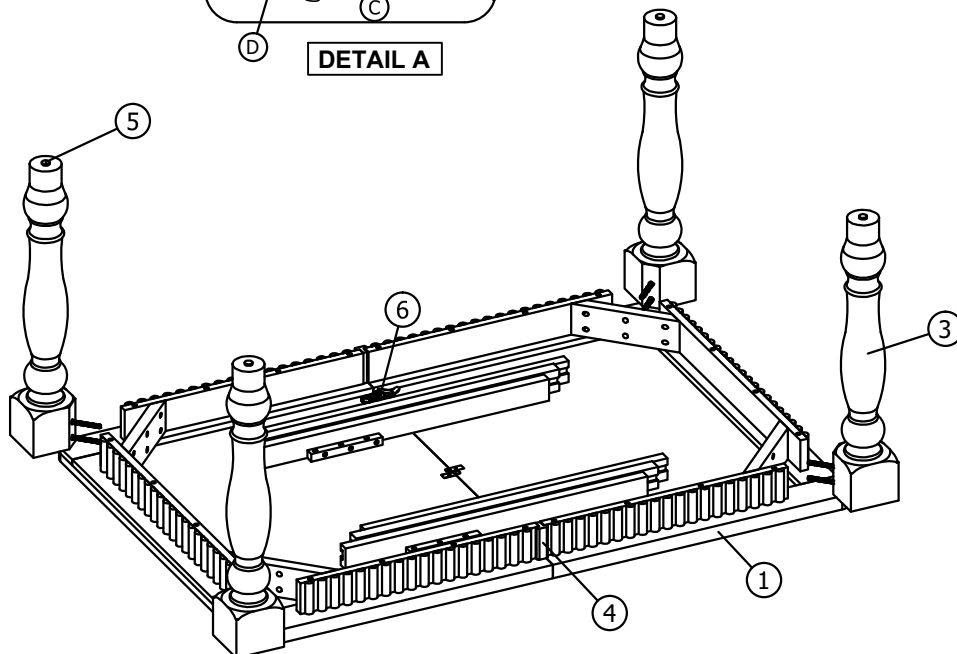
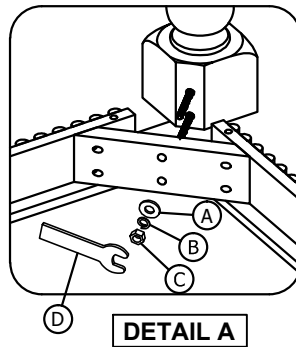
MODEL # 2545-72

WESTPORT WHITE 72" RECT EXTENSION

Thank you for purchasing this quality product. Be sure to check all packing material carefully for small parts that may have come loose inside the carton during shipment.

Hardware kit (2545-72P01)				Key Parts			
No		Description	Q'Ty	No	Code	Description	Q'Ty
A		Flat Washer Ø8.2	8 pcs	1	NOT AVAILABLE AS A PART	Table Top	1 pc
B		Lock Washer Ø8.2	8 pcs	2	NOT AVAILABLE AS A PART	Leaf Panel	1 pc
C		Nut M7.9 x 0.794	8 pcs	3	NOT AVAILABLE AS A PART	Table Leg	4 pcs
D		Key Wrench	1 pc	4	2545-72P01A	Apron Spacer	4 pcs
				5	2545P01F	Floor Glide	4 pcs
				6	2545P13L	Extension Lock	4 pcs

**TWO PERSONS ARE REQUIRED
TO SET UP THE TABLE
DO NOT USE POWER TOOLS**



STEP 1

- Carefully lay Table Top upside down on a smooth flat surface to prevent scratches.
- Attach each Leg to each corner of the Table Top as shown in illustration. Insert a Flat Washer, Lock Washer and Nut on to the insert nut of each Leg
- Once all Legs are in place, fully tighten Nuts by turning clockwise using provided Key Wrench until secure. (See Detail A)



furnishing better
lives together[®]

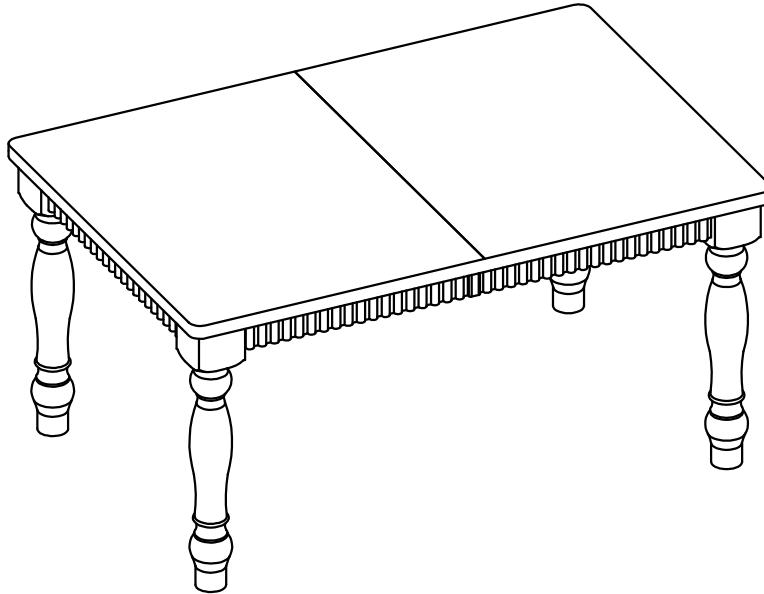
WWW.JOFRAN.COM

**ASSEMBLY INSTRUCTIONS &
PARTS IDENTIFICATION**
MODEL # 2545-72
WESTPORT WHITE 72" RECT EXTENSION

Thank you for purchasing this quality product. Be sure to check all packing material carefully for small parts that may have come loose inside the carton during shipment.

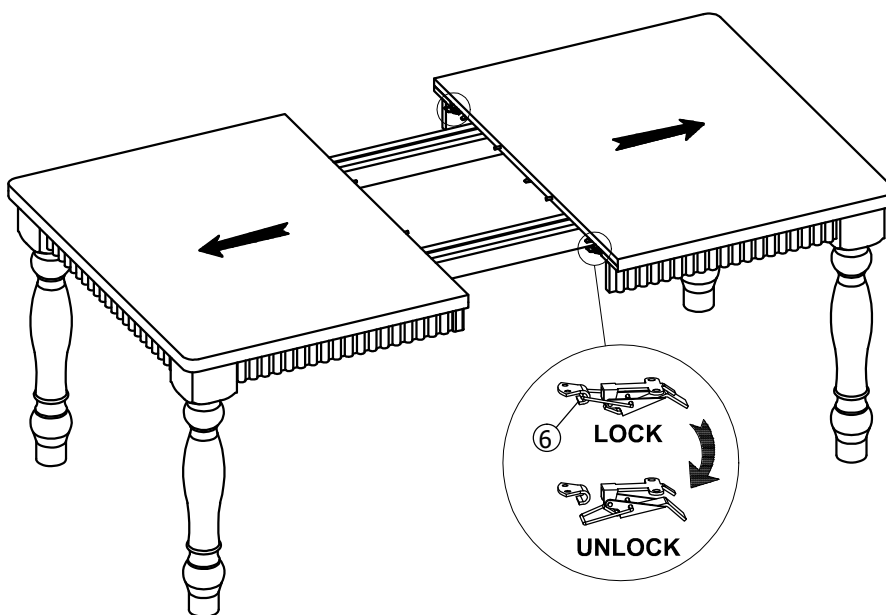
STEP 2

- With help from the second person, carefully turn the table upright.



STEP 3

- Unlock the Extension Locks.
- With two people, pull both ends of the Table Top outward.





furnishing better
lives together[®]

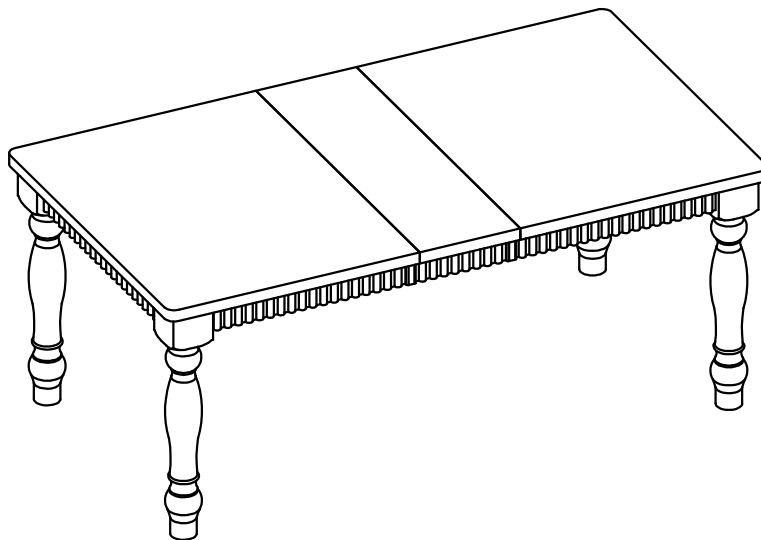
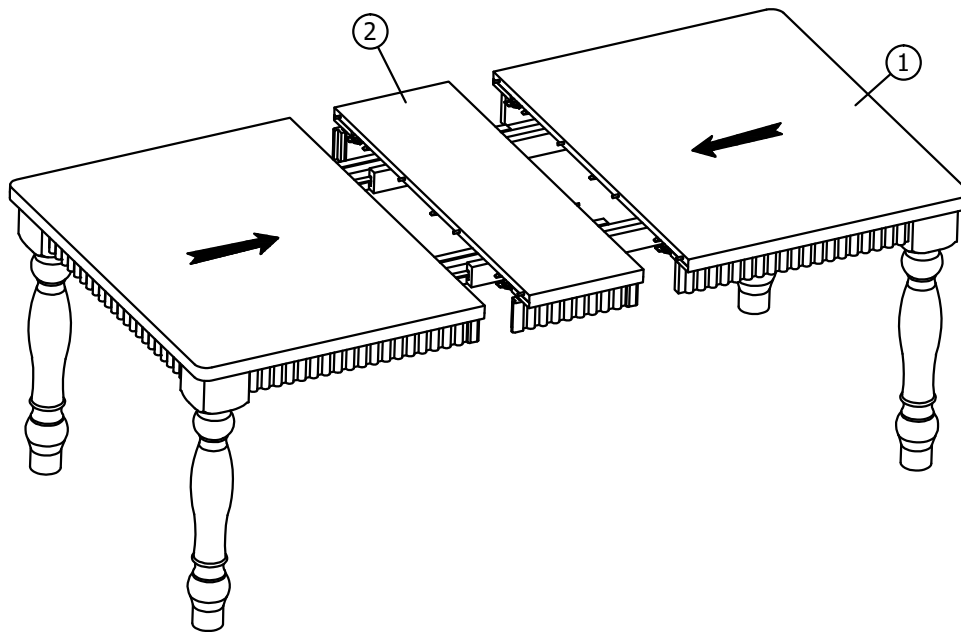
WWW.JOFRAN.COM

**ASSEMBLY INSTRUCTIONS &
PARTS IDENTIFICATION**
MODEL # 2545-72
WESTPORT WHITE 72" RECT EXTENSION

Thank you for purchasing this quality product. Be sure to check all packing material carefully for small parts that may have come loose inside the carton during shipment.

STEP 4

- Insert the Leaf Panel into the center of the Table Top.
- With two people, push both ends of the Table Top back together.
- Lock the Extension Locks.



ASSEMBLY COMPLETED