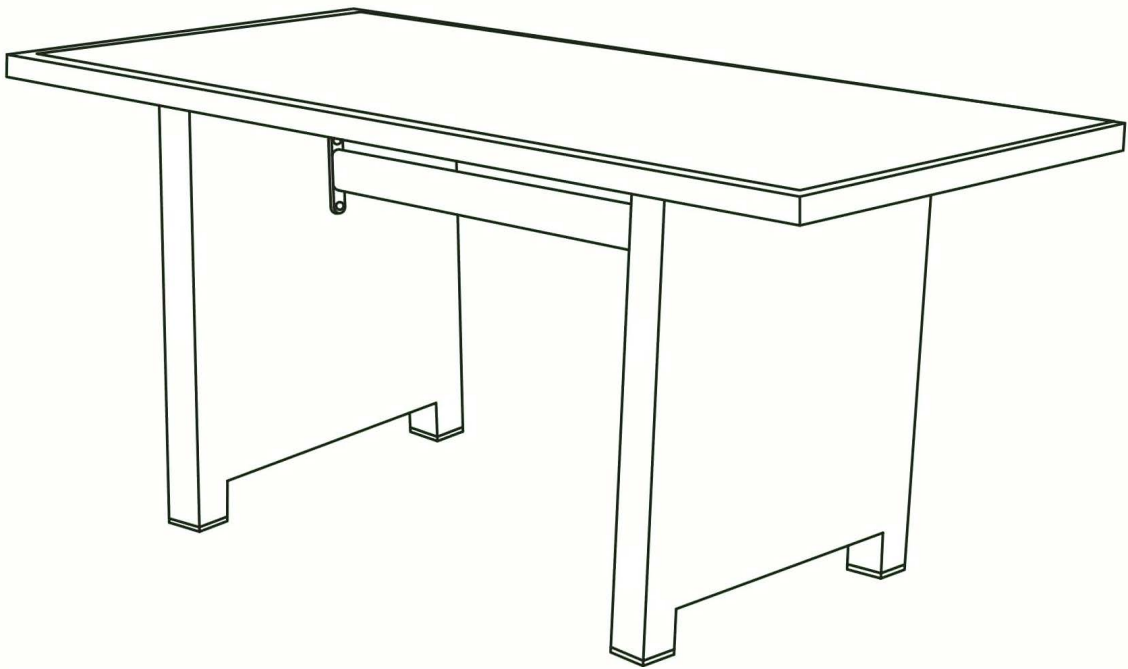


Product size:
W150*D80*H68cm



The intended use of this product is for domestic use only.

Important, please retain for future reference.

Read carefully.

150 x 80cm Dining Table

Assembly Instructions

Before you start



Warnings

IMPORTANT, RETAIN FOR FUTURE REFERENCE READ CAREFULLY

See enclosed instructions for assembly, safety and care information.

Failure to follow the warnings could result in serious injury.

Handle heavy parts with care.

Ensure that this product is fully assembled as illustrated before use.

This product should only be used on firm, level ground.

Keep small parts out of reach of children.

Do not stand or climb onto this product.

This product is intended for **domestic use** only.

Furniture can be dangerous if incorrectly used. No liability will be accepted for damage or injury caused by incorrect use of this product.

✓ Dos

When you are ready to start, make sure that you have the right tools, plenty of space and a clean, dry area for assembly.

Remove all packaging and banding and place the components carefully on suitable surfaces to prevent damaging or scratching them.

Check the pack and make sure you have all of the parts listed.

Check all screws and bolts are tightened and inspect regularly.

This product is suitable for all year outdoor use, but we recommend that a furniture cover be used to add additional protection to your product when not in use.

During severe weather conditions and in the winter months we recommend moving your furniture inside into a cool, dry place.

Before storage, ensure that the product is clean and dry.

To clean, wipe down with a sponge and warm soapy water and wipe with a clean, dry cloth.

✗ Don'ts

Do not use scourers, abrasives, washing powders, chemical cleaners or any other substances containing abrasives since these substances can damage the product, including the glass panel.

Do not place very hot or very cold items on the glass surface

unless adequately thick table-mats are used to prevent such items from coming into contact with the glass.

Do not use the glass as a chopping surface. Do not strike glass with hard or pointed items.

Do not strike the glass with hard or pointed items.

Do not use power tools to construct this product.

Do not use this product if parts are missing, damaged or worn.

Do not sit or lean on the table.

Do not stand or climb onto the product and do not use it as a ladder, as this could lead to it unbalancing and overturning.

Never drag furniture when moving it, always lift it.

Number of people required for assembly

Two people.



Time to assemble



40 minutes

Tools required



Tips:

Do NOT fully tighten bolts before all components are connected.

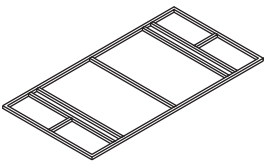
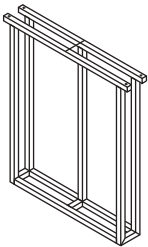
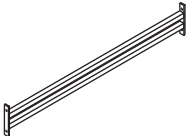
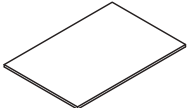
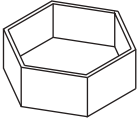
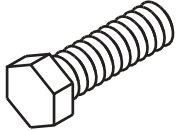
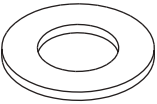
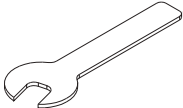
Only fully tighten once you are satisfied with the alignment of all components.

Do not overtighten bolts.

150 x 80cm Dining Table

Assembly Instructions

Components, fixtures & fittings (not actual size)

Table Parts List					
Part No.	Diagram	Qty.	Part No.	Diagram	Qty.
A	 Table Top Frame	1 PC	B	 Leg	2 PCS
C	 Connecting Bar	1 PC	D	 Glass Top	1 PC
F2	 Bolt Head Cap	12 PCS	W35	 M6*35mm Bolt	12 PCS
F3	 Flat Washer	12 PCS	S1	 Spanner	1 PC



150 x 80cm Dining Table

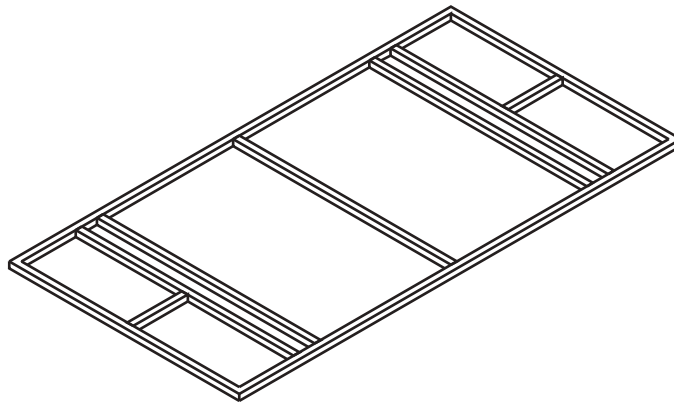
Assembly Instructions

Step by step assembly instructions

Step One

Open the packaging with the glass face down on a flat surface. Leave the glass on the carton until the rest of the table is fully assembled.

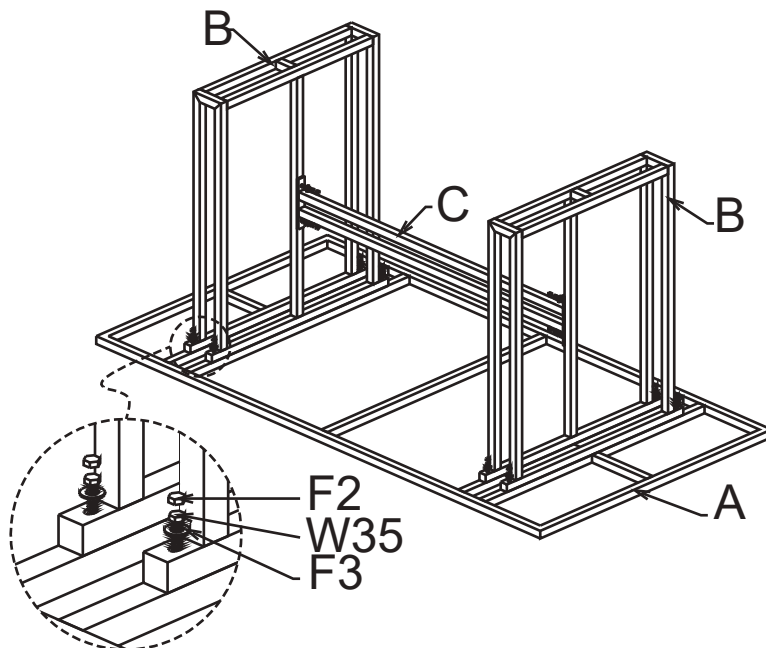
With the help of another person, place the Table Top Frame (A) upside down on a flat, non-abrasive surface to avoid scratching the table surface or rim.



Step Two

Do NOT assemble the Table Legs (B) to the Table Top Frame (A) while it is still resting on the Glass Top (D).

Place the Table Legs (B) onto the Table Top Frame (A), aligning all holes in each part. Loosely attach the Table Legs to the Table Top Frame using Flat Washers (F3) and Bolts (W35).



150 x 80cm Dining Table

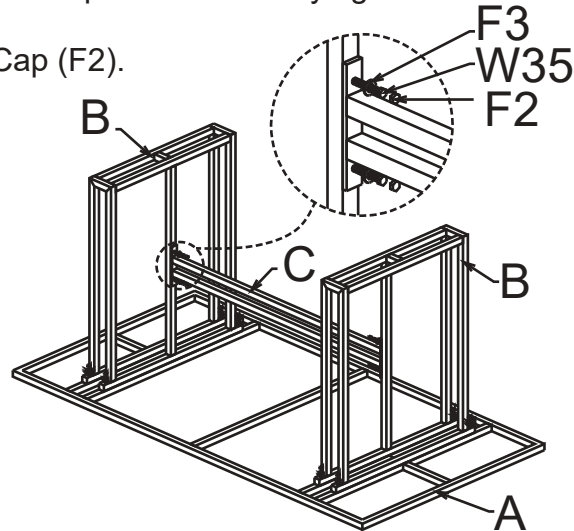
Assembly Instructions

Step Three

Loosely attach the Connecting Bar (C) onto The Table Legs (B), aligning all holes in each part, using Flat Washers (F3) and Bolts (W35).

Only tighten the bolts when all bolts and washers are in place and turn freely. Once you are satisfied with the alignment of the components carefully tighten all bolts using Spanner (S1). Do not over-tighten.

Cover each bolt with Bolt Head Cap (F2).



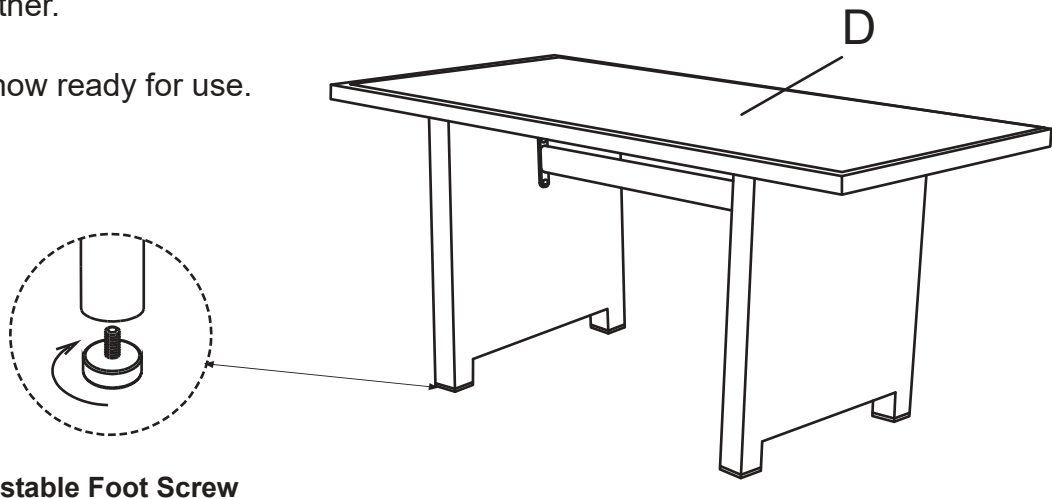
Step Four

With the help of another person, carefully turn the table in the upright position.

Note: There are adjustable feet screws under the legs, adjust the feet screws to ensure the table is evenly placed on the level ground.

Carefully place the Glass Top (D) on the Table Top Frame (A) and make sure they match each other.

Your table is now ready for use.



Adjustable Foot Screw

PLEASE KEEP THESE INSTRUCTIONS FOR FUTURE REFERENCE