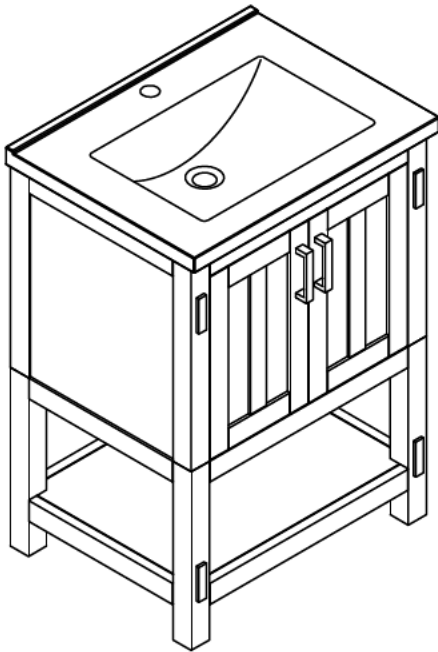


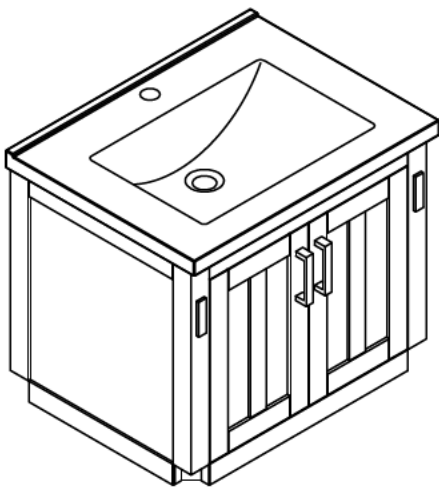
# Assembly Instructions

---

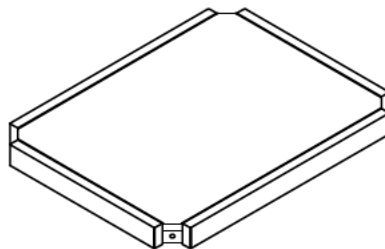


## Parts List

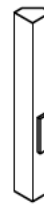
---



**A x 1**



**B x 1**



**C x 1**



**D x 1**



**E x 2**

## Hardware

---



**(H1) x 8**



**(H2) x 8**



**(H3) x 8**



**(H4) x 1**

# Assembly Instructions

---

## Step 1

