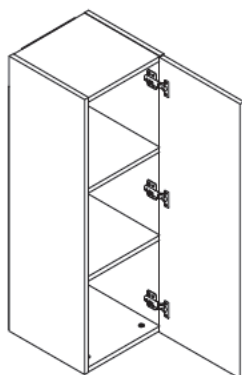
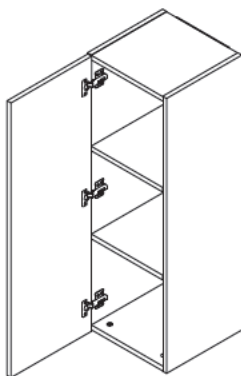


I



II





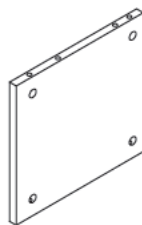
Ax1



Bx2



Cx1



Dx4



Ex16



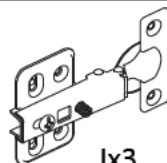
Fx16



Gx16



Ix18
M3.5x $\frac{12}{0.6}$



Jx3



Kx4
M3.5x $\frac{30}{1.2}$



Lx28



Mx2



Nx2



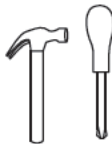
Ox4



Px4



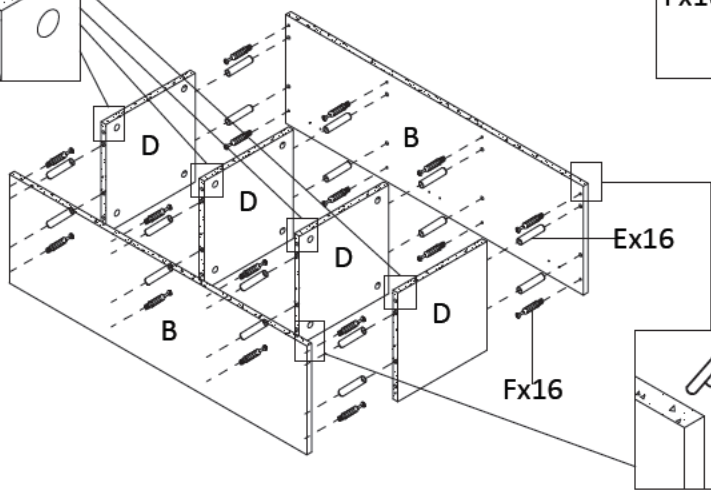
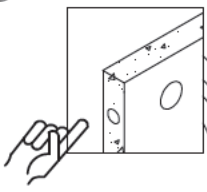
€\$£



mm
inch

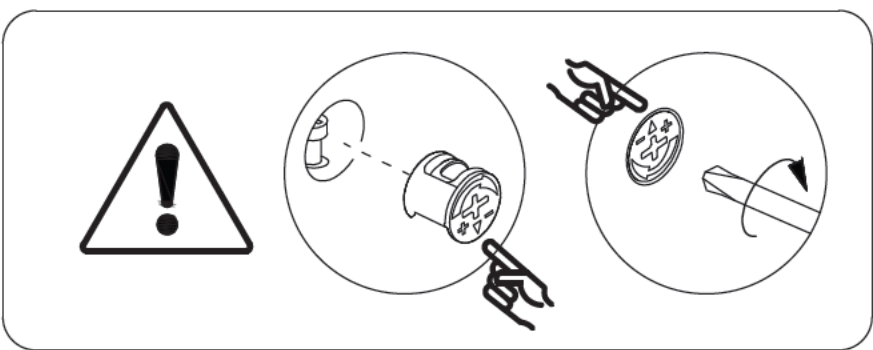
x2

1



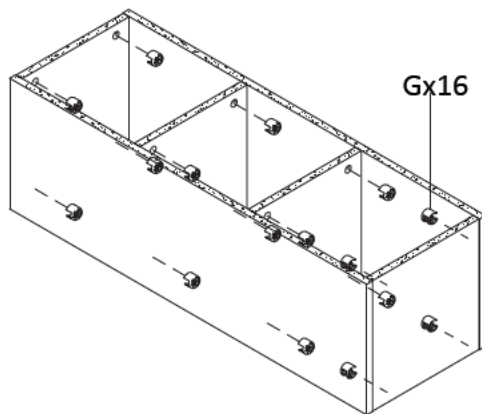
Ex16

Fx16

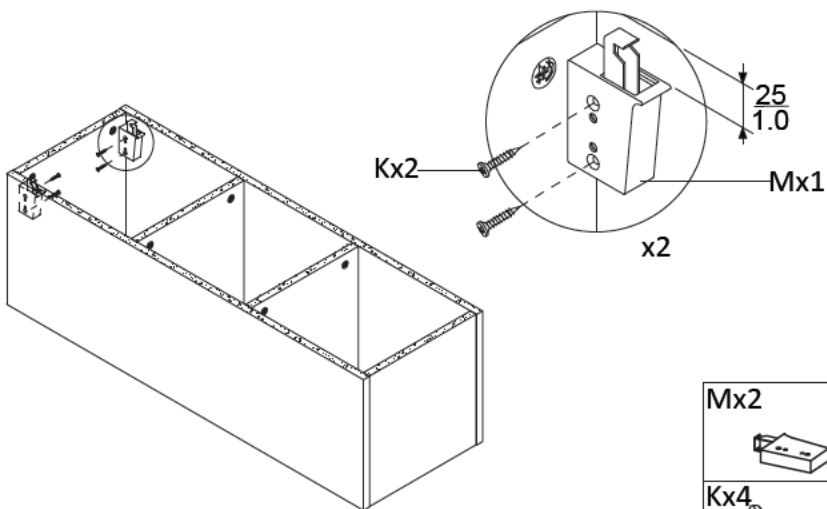


2

Gx16



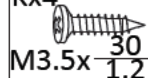
3



Mx2

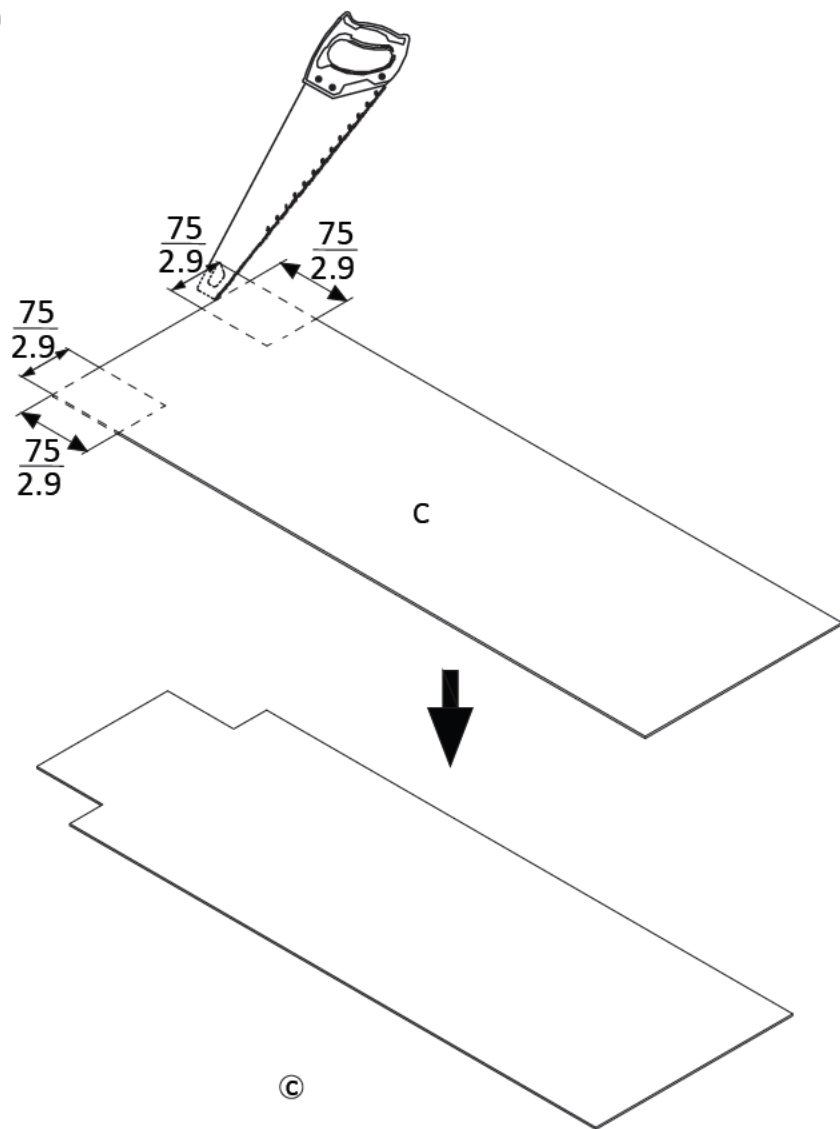


Kx4



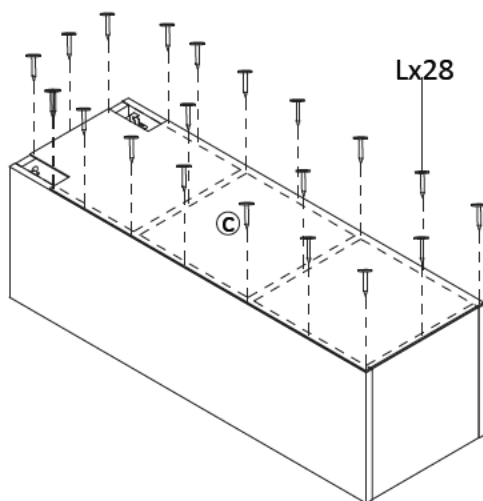
M3.5x 30
1.2

4

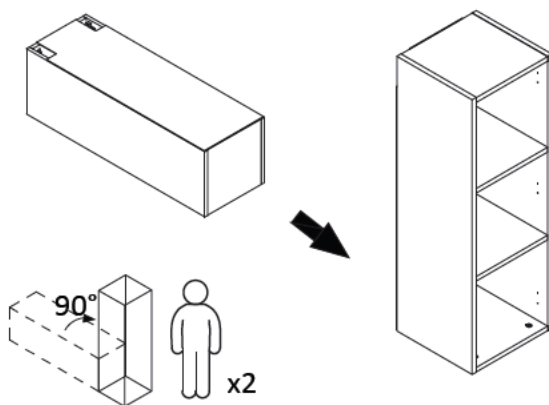


5

Lx28



6



7

Jx3



lx6

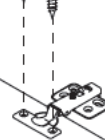
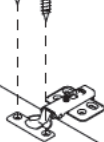
M3.5x $\frac{12}{0.6}$



lx6

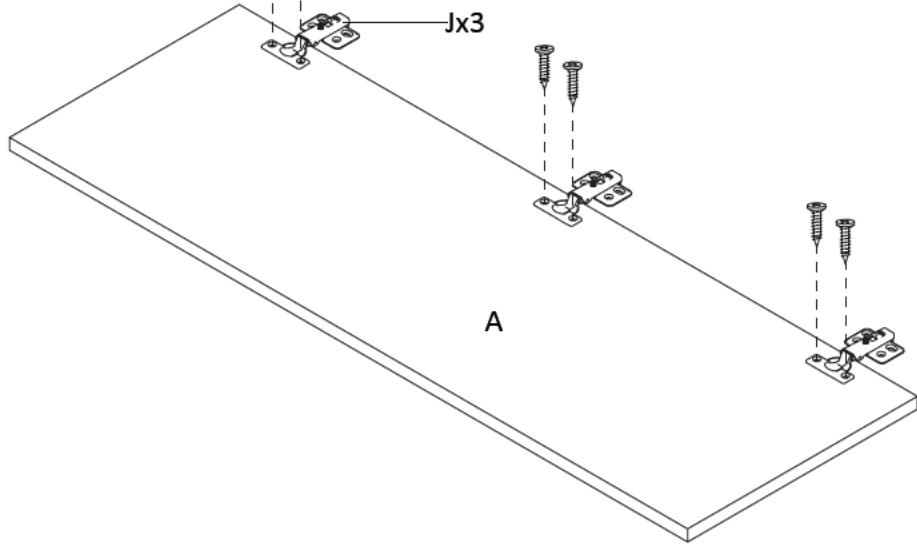


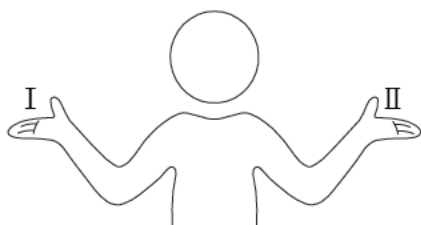
Jx3



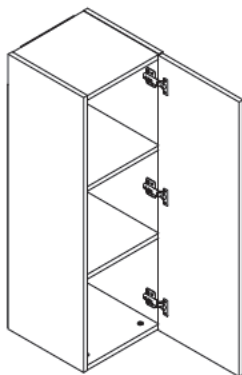
A

a

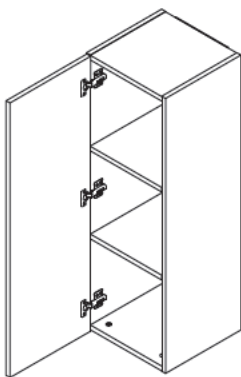




I

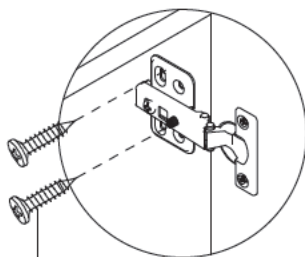
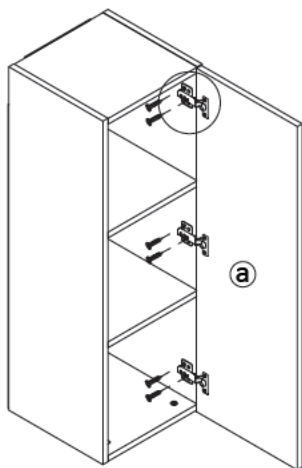


II



⑧ - I

lx6
M3.5x $\frac{12}{0.6}$

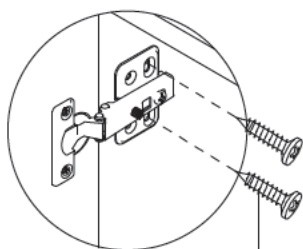


lx2

x3

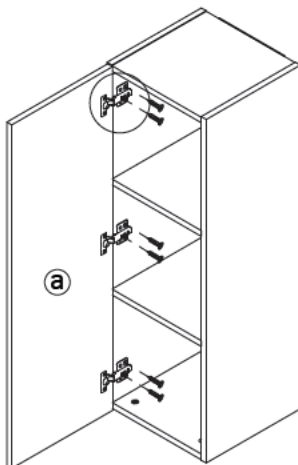
⑧ - II

lx6
M3.5x $\frac{12}{0.6}$

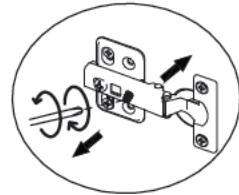
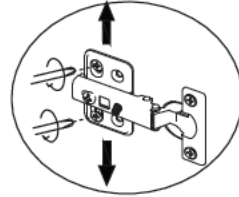
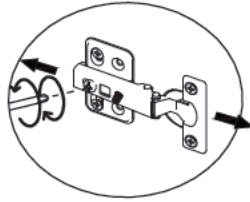
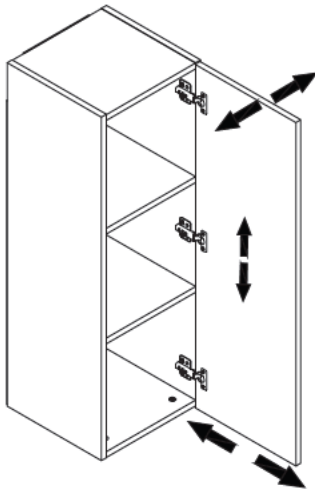


x3

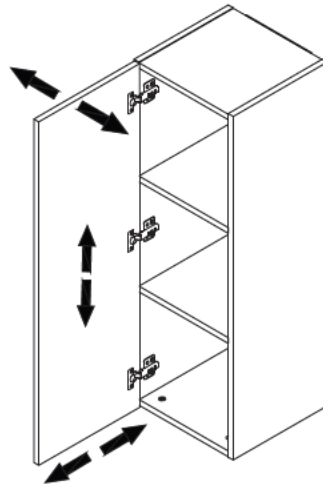
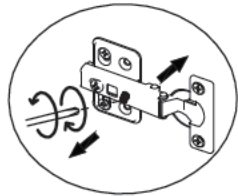
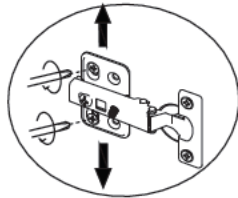
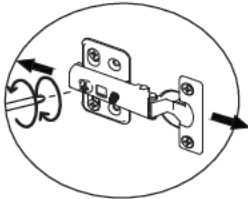
lx2



9 - I

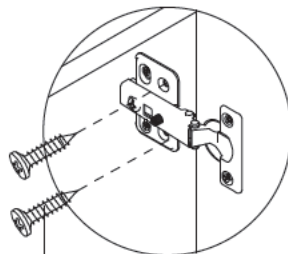
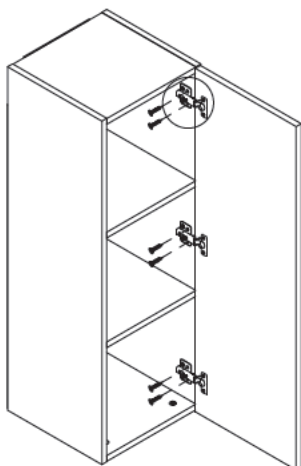


9 - II



10 - I

1x6
M3.5x $\frac{12}{0.6}$

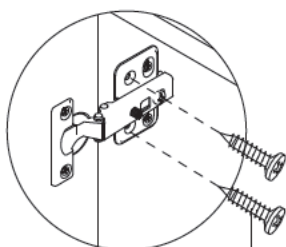


1x2

x3

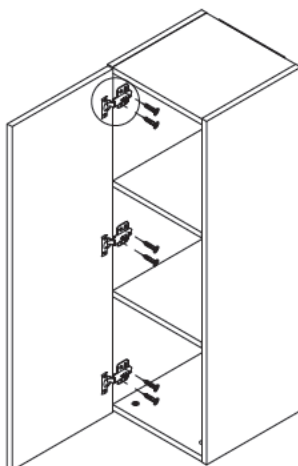
10 - II

1x6
M3.5x $\frac{12}{0.6}$

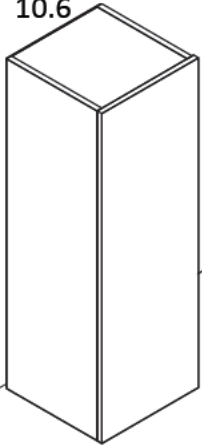
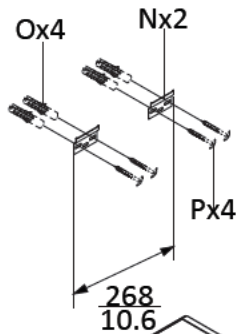
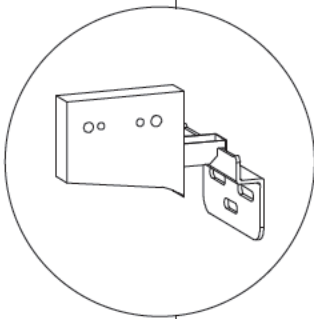
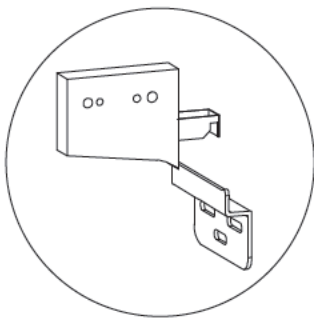


x3

1x2



11



Nx2	
Ox4	
Px4	

12

