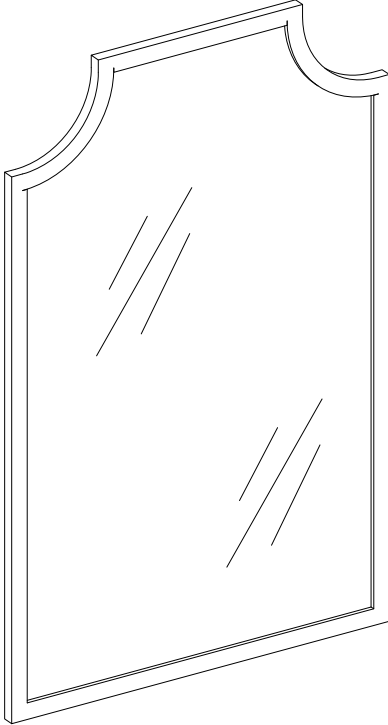
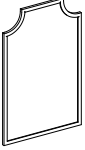
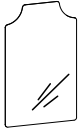
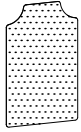



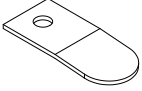
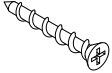
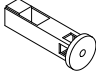
Bath Mirror



PART LIST

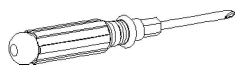
A 	B 	C 
Frame 1 PC	Mirror 1 PC	Back Panel 1 PC

HARDWARE LIST

#1 	#2 	#3 	#4 
Short Screw 12 PCS (Extra 2)	Clip 12 PCS (Extra 2)	Screw 1 PC	Wall Anchor 1 PC

ADDITIONAL TOOLS (Not Provided)

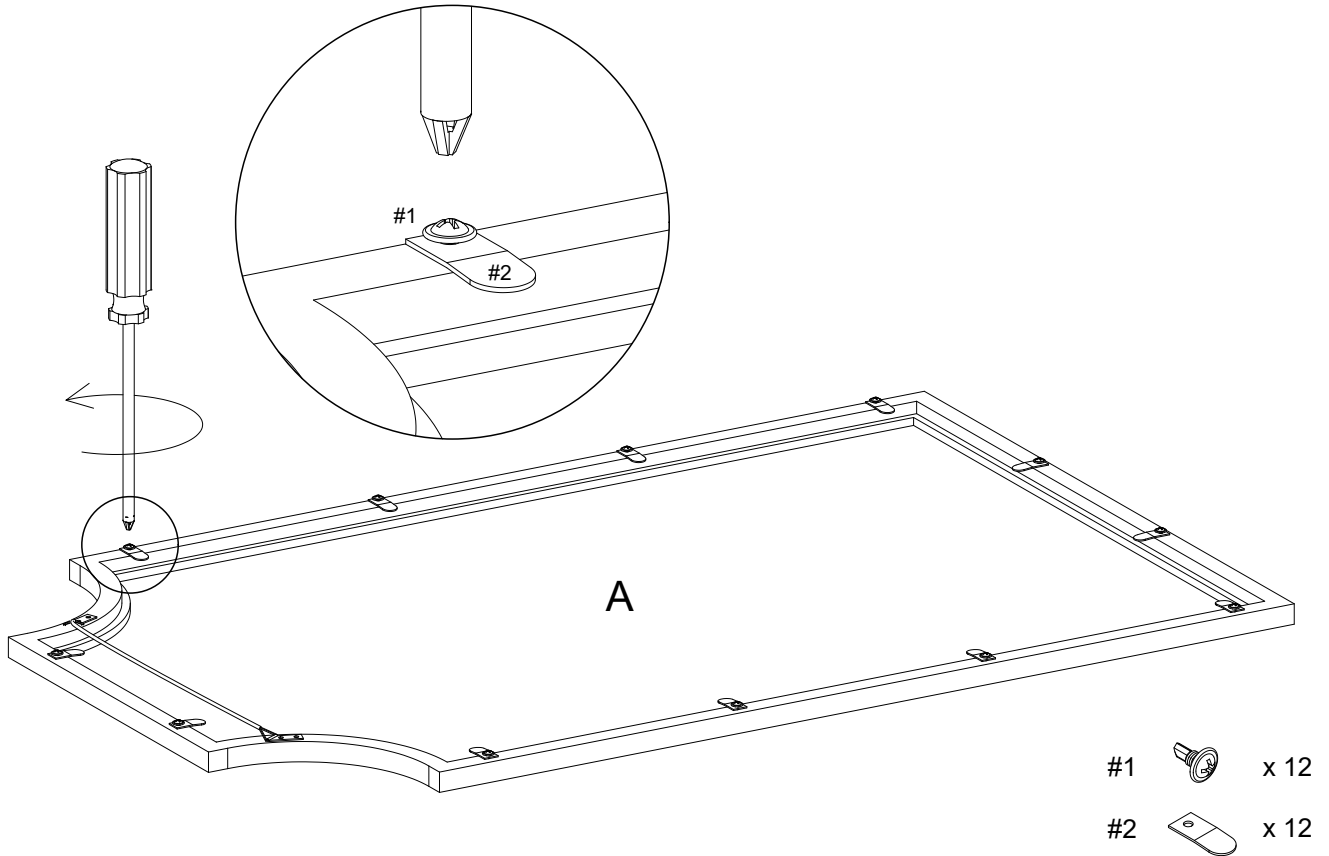
Note: It is not recommended to use power tools during assembly.



Phillips Head Screwdriver

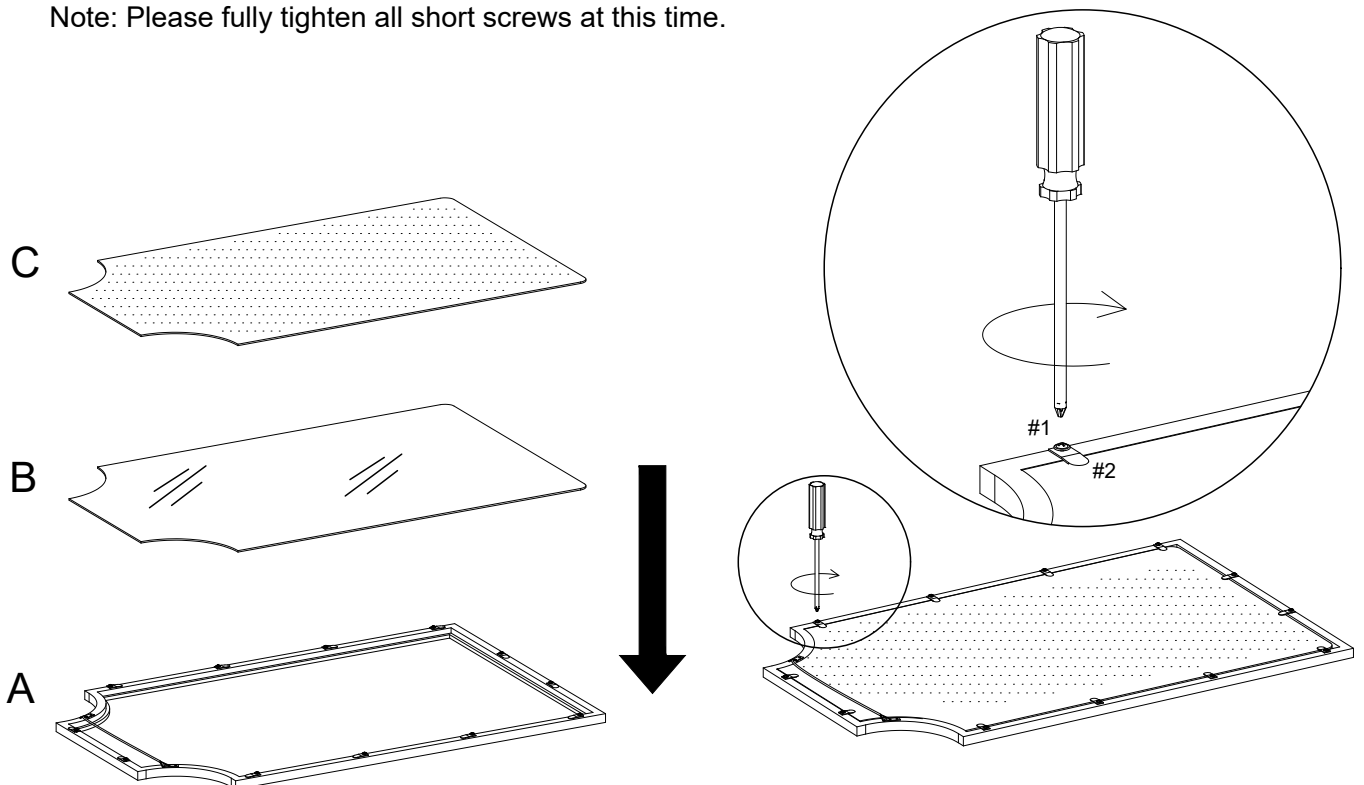
Step 1. Lay frame (part A) upside down on a flat, soft surface, such as carpet. Loosen short screws (part #1) and clips (part #2) using phillips head screwdriver.

Note: Please do not fully remove short screws and clips, only loosen.



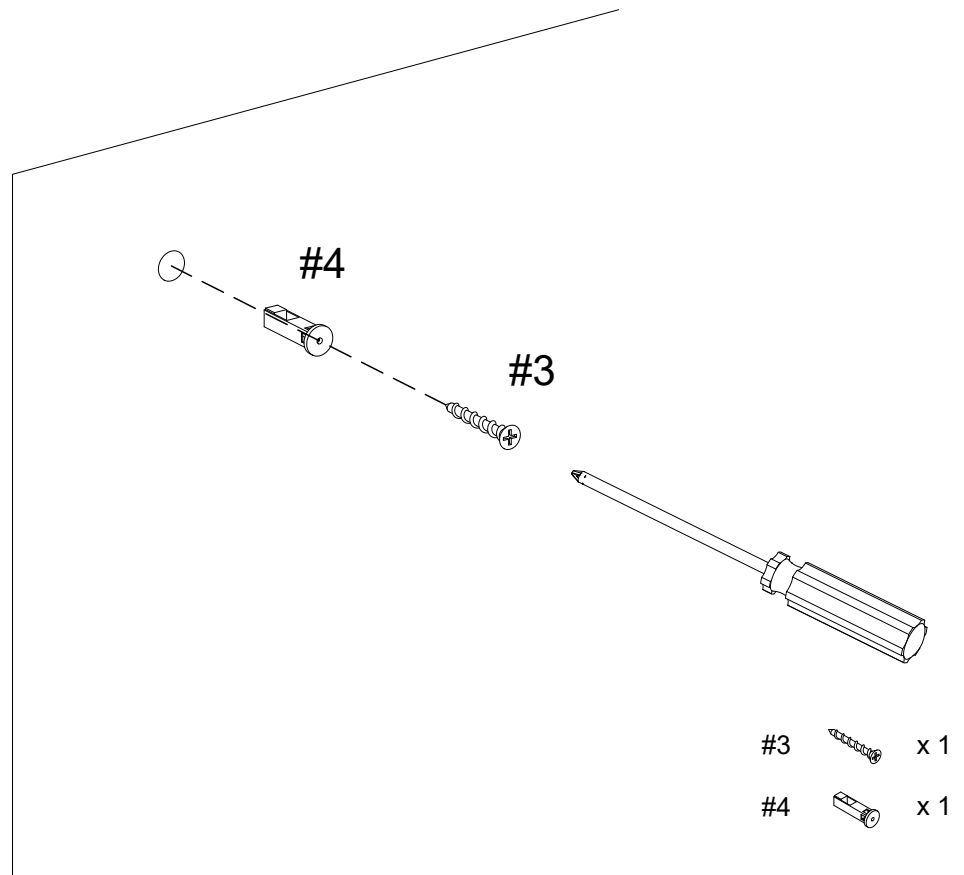
Step 2. Carefully insert mirror (part B) into frame (part A). Attach back panel (part C) to assembled unit (parts A & B) using short screws (part #1), clips (part #2) and phillips heads screwdriver.

Note: Please fully tighten all short screws at this time.



Step 3. Drill a 11/32" hole in the wall where this unit will be secured. Tap wall anchor (part #4) into the drilled hole. Tighten screw (part #3) into wall anchor (part #4) using phillips head screwdriver.

Note: Please reserve 1/4" space between wall and screw (part #3).



Step 4. Carefully install assembled unit on the wall.

