

NOTICE

- * Please make sure that you have all parts indicated and they are in good condition before you begin assembly of this item. Refer to part list and hardware list below for guidance.
- * This item should be assembled on a soft surface to prevent scratching the finish during assembly.
- * This item may require periodic tightening.
- * If you are having difficulty, our friendly Customer Care team is always here to help.













PREPARATION

- * Before beginning assembly of product, make sure all parts are present. Compare parts with part contents list and hardware contents list.
- * If any part is missing or damaged, do not attempt to assemble the product.
- * Estimated Assembly Time: 60 minutes.
- * Tools Required for Assembly : Phillips screwdriver (not included)

CARE AND MAINTENANCE

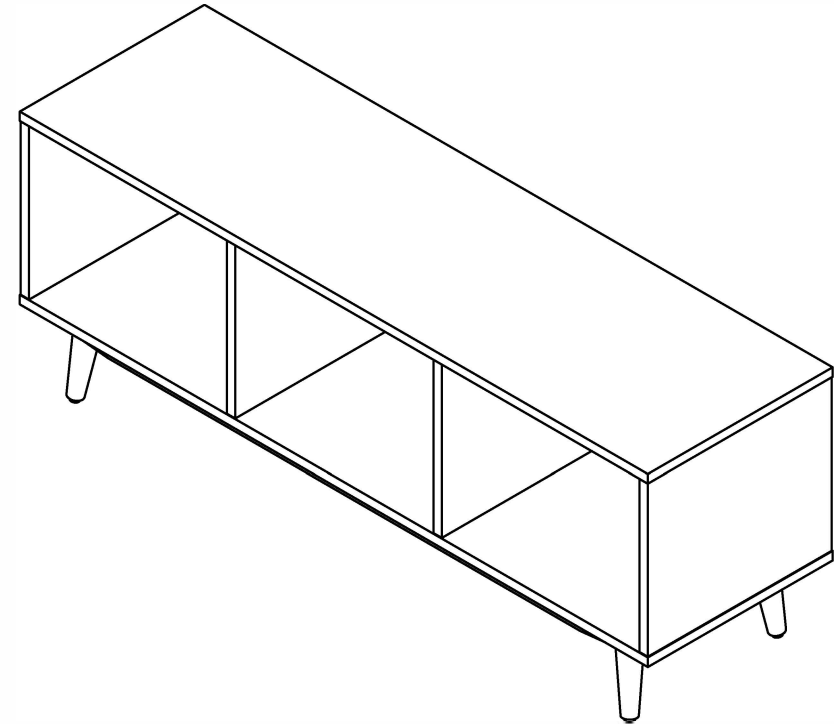
Adhesive felt pads should always be applied to areas of furniture which make direct contact with flooring, said application will prevent damage to the furniture and or surfaces on which the furniture lies. Objects placed on articles of furniture should rest on non abrasive material as to prevent damage to the wood finish. Wipe up spills immediately and avoid common hazards such as hot dishes, harsh solvents and abrasives. Cleaning should be done with a soft lint free cotton cloth dampened with water or furniture polish.

Part List and Hardware List

PIECE	DESCRIPTION	PICTURE	QUANTITY
A	TOP PANEL		1X
B	LEFT PANEL		1X
C	RIGHT PANEL		1X
D	DIVIDER		2X
E	BACK UPPER FRAME		1X
F	BACK LOWER FRAME		1X
G	BASE ASSEMBLY		1X
H	LEG		4X
HW1	ROUND HEAD SCREW 4 x 1 x 32 MM		22X
HW2	CAMBOLT		12X
HW3	CAMLOCK		12X
HW4	DOWEL		24X

Owner Manual

Product Dimenions: 47.6" W x 14" D x 18" H



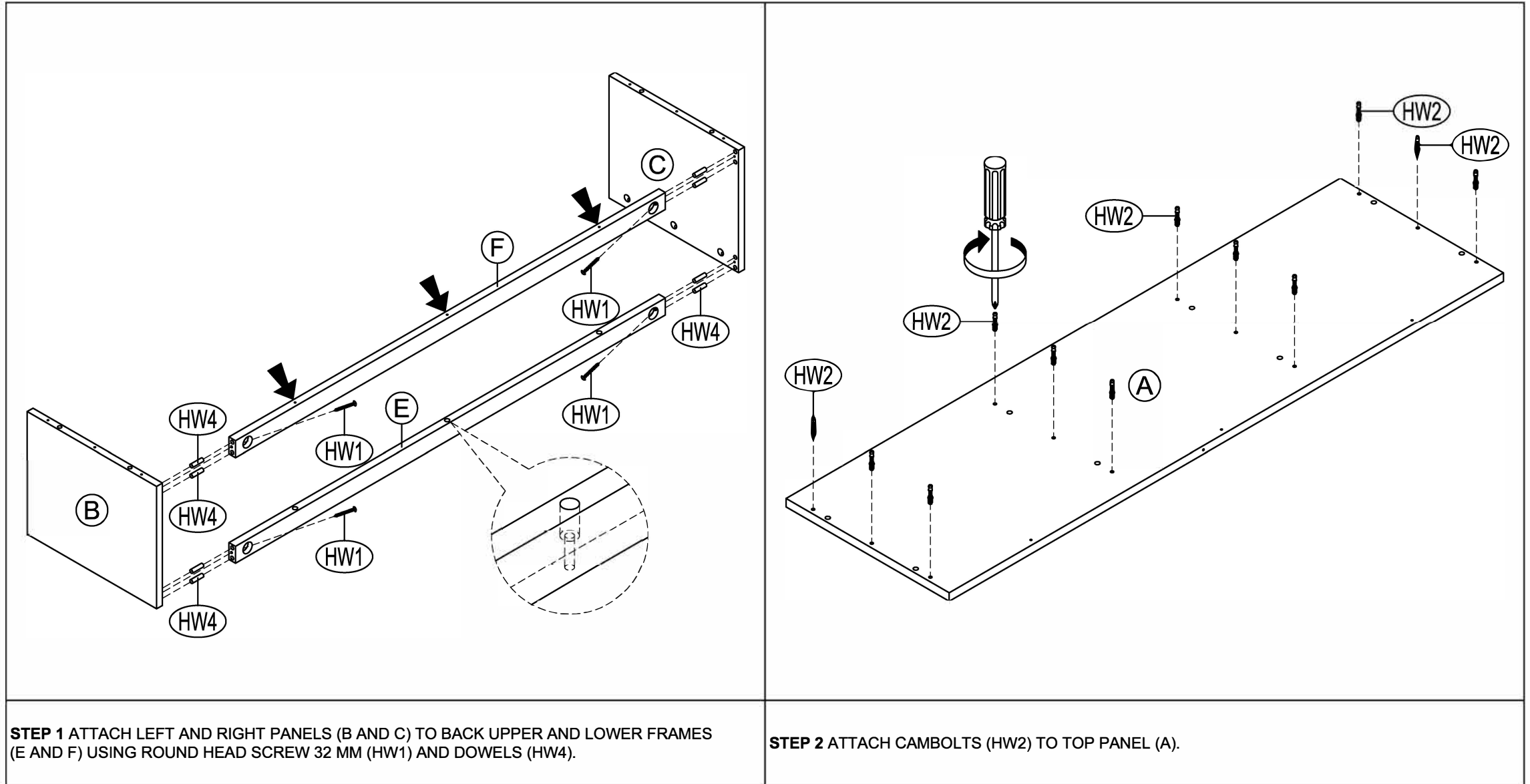
WEIGHT CAPACITY: 100 LBS

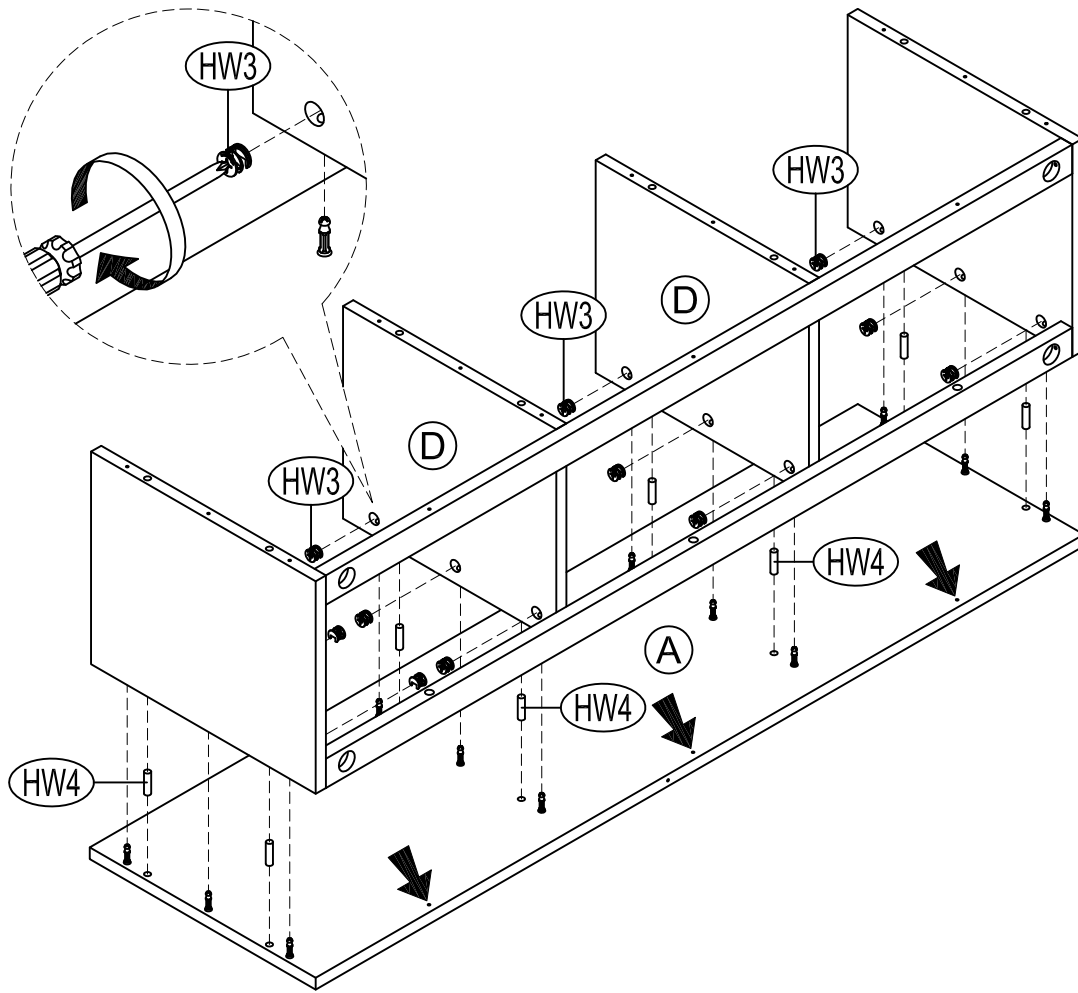
WARNING: DO NOT STAND ON THE TV STAND

WARNING: DO NOT OVER TORQUE BOLTS/SCREWS

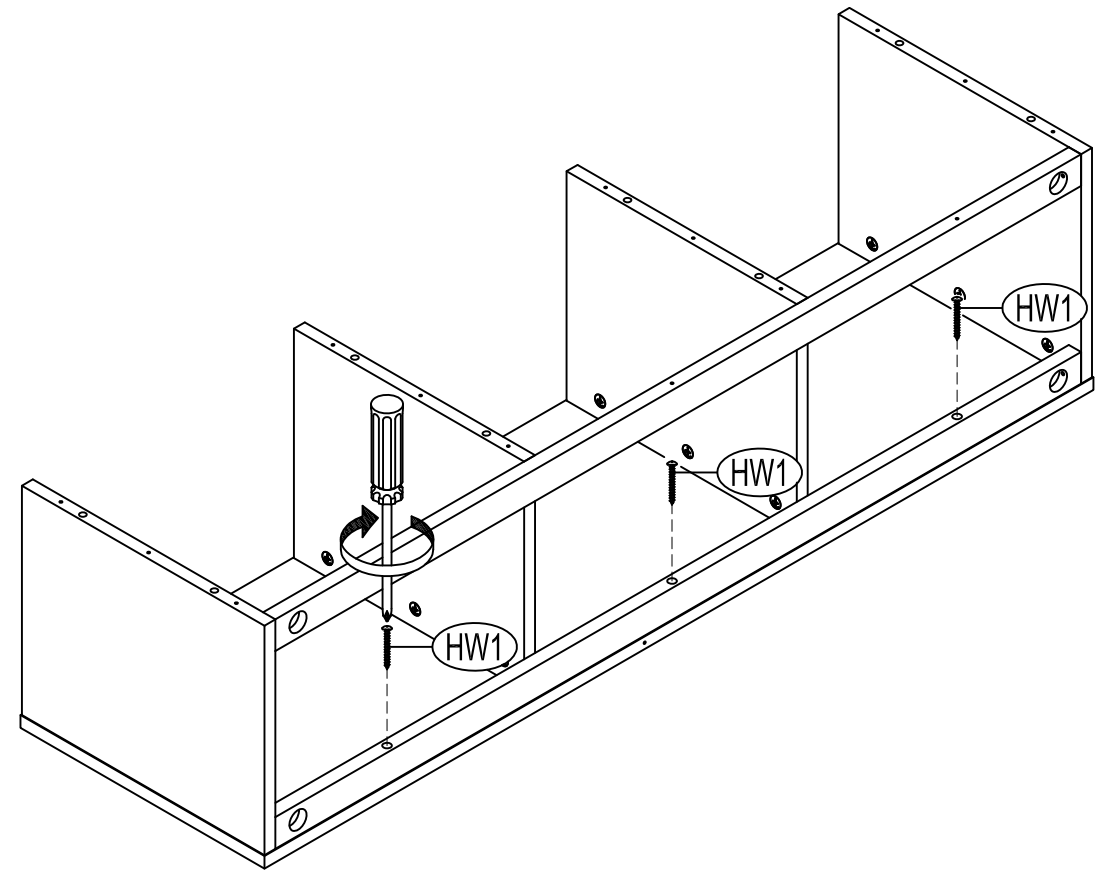
PREPARATION

- * Before beginning assembly of product, make sure all parts are present. Compare parts with package contents list and hardware contents list.
- * If any part is missing or damaged, do not attempt to assemble the product.
- * Estimated Assembly Time: 60 minutes.
- * Tools Required for Assembly : Phillips screwdriver (not included)
- * If you are having difficulty, our friendly Customer Care team is always here to help.

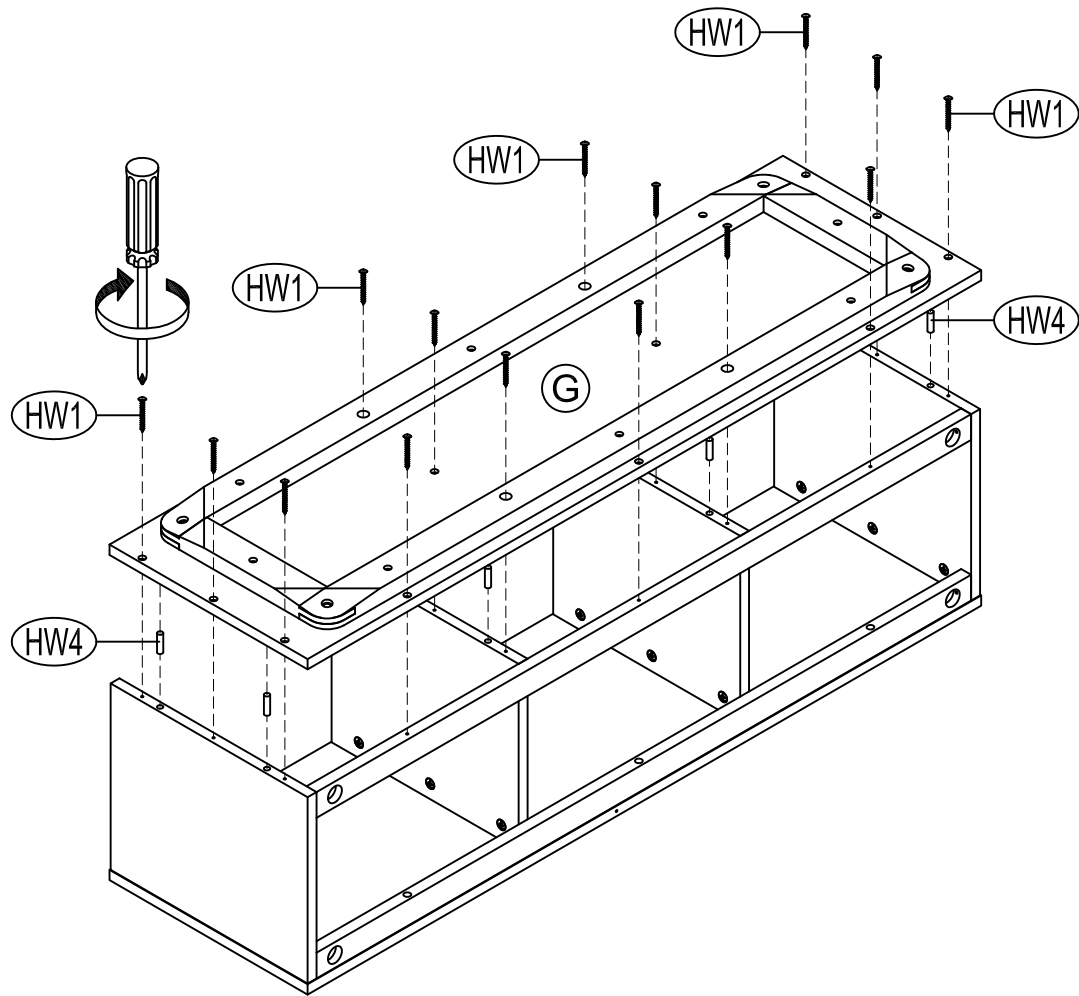




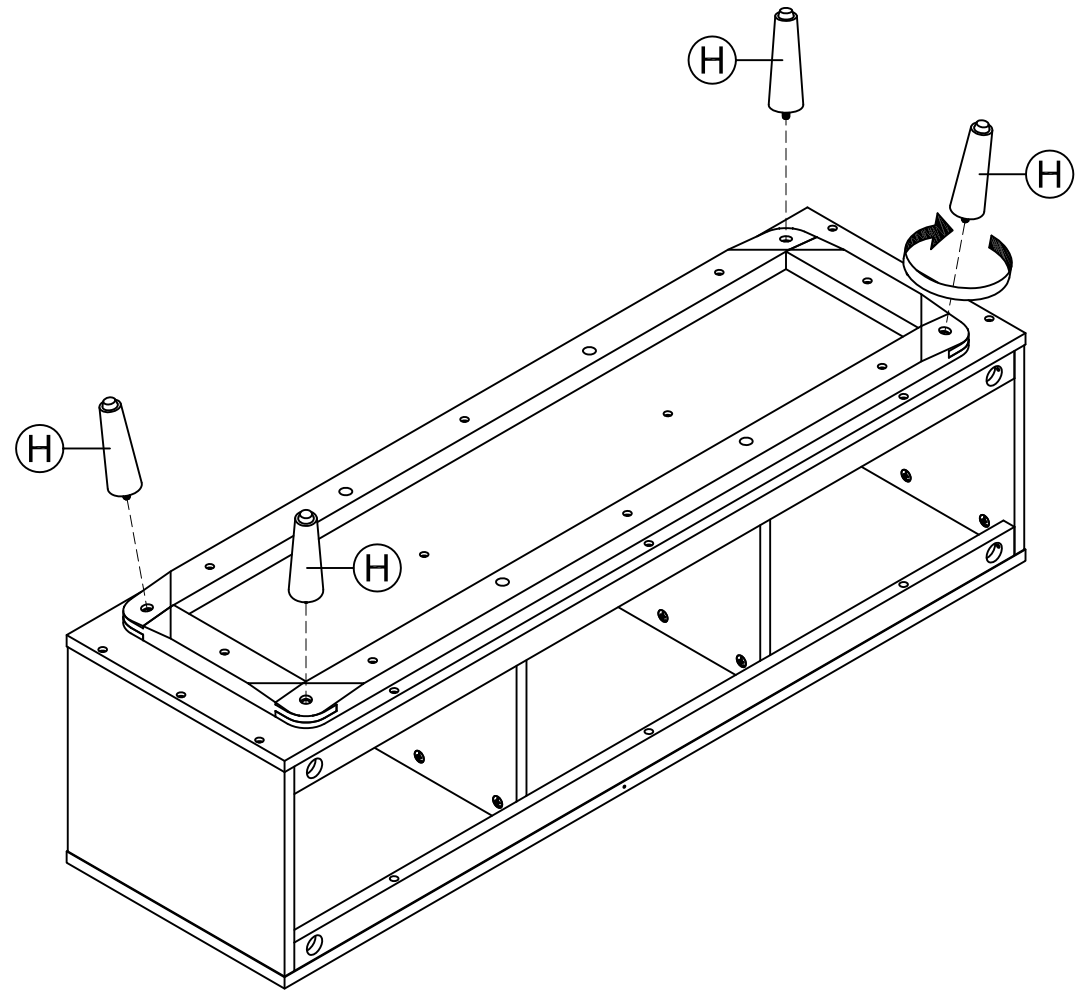
STEP 3 ATTACH UNIT FROM STEP 1 AND DIVIDERS (D) TO TOP PANEL (A) USING CAMLOCKS (HW3) AND DOWELS (HW4).



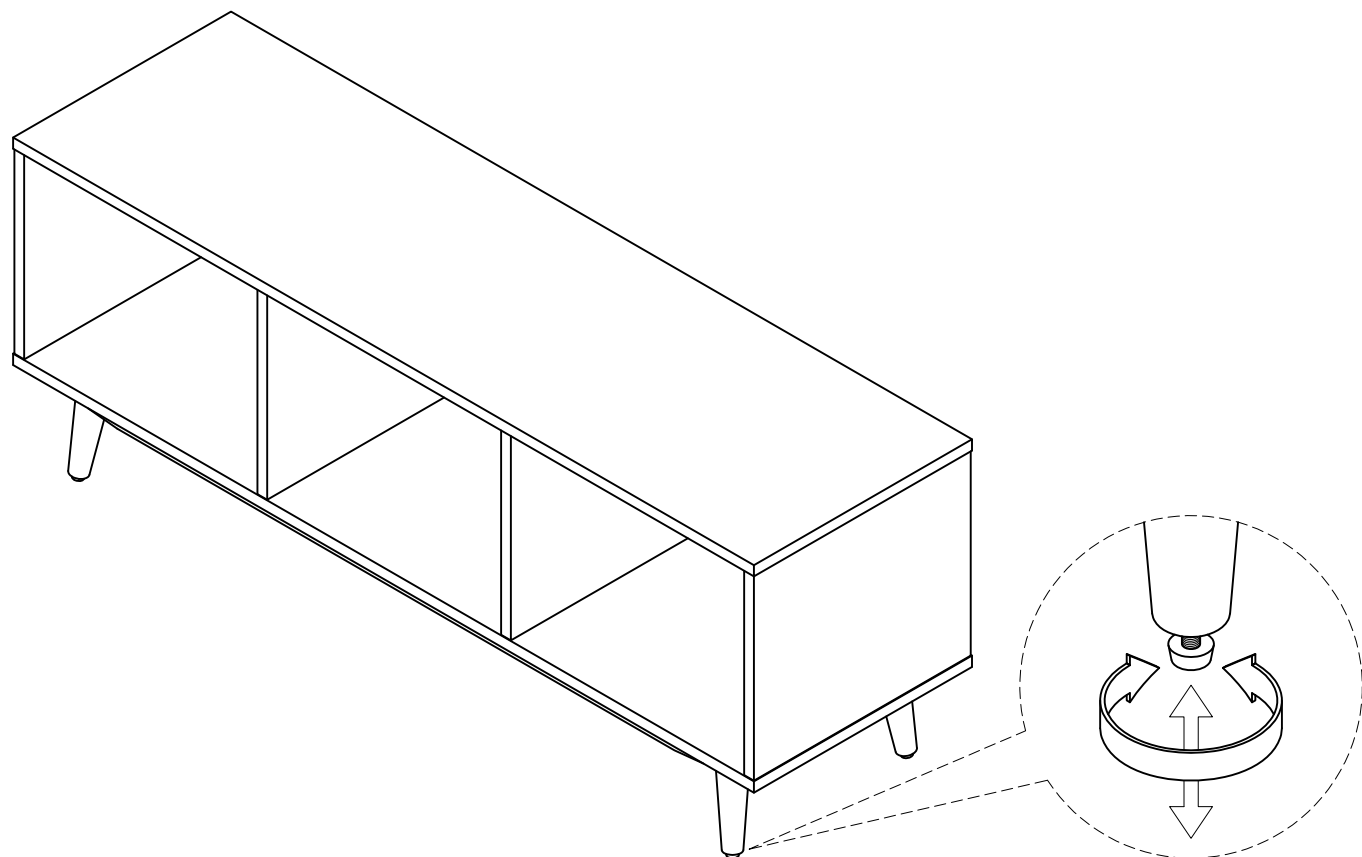
STEP 4 ATTACH ROUND HEAD SCREW 32 MM (HW1) TO UNIT.



STEP 5 ATTACH BASE ASSEMBLY (G) TO UNIT USING ROUND HEAD SCREW 32 MM (HW1) AND DOWELS (HW4).



STEP 6 ATTACH LEGS (H) TO UNIT, THEN TIGHTEN.



STEP 7 ADJUST THE ADJUSTER BOLT THAT HAS ALREADY ASSEMBLED TO THE LEGS TO STABILIZE YOUR UNIT