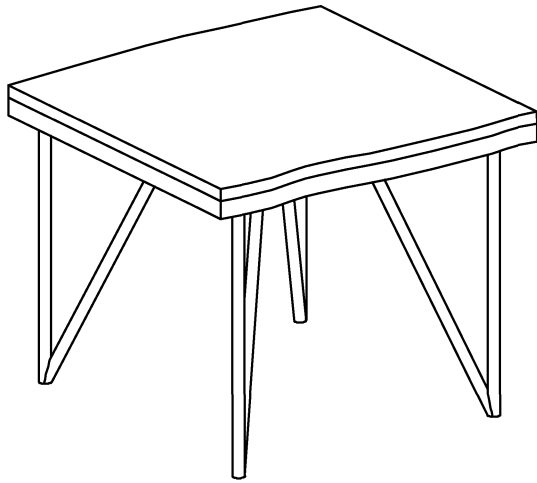


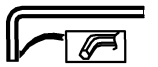
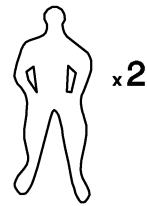
END TABLE



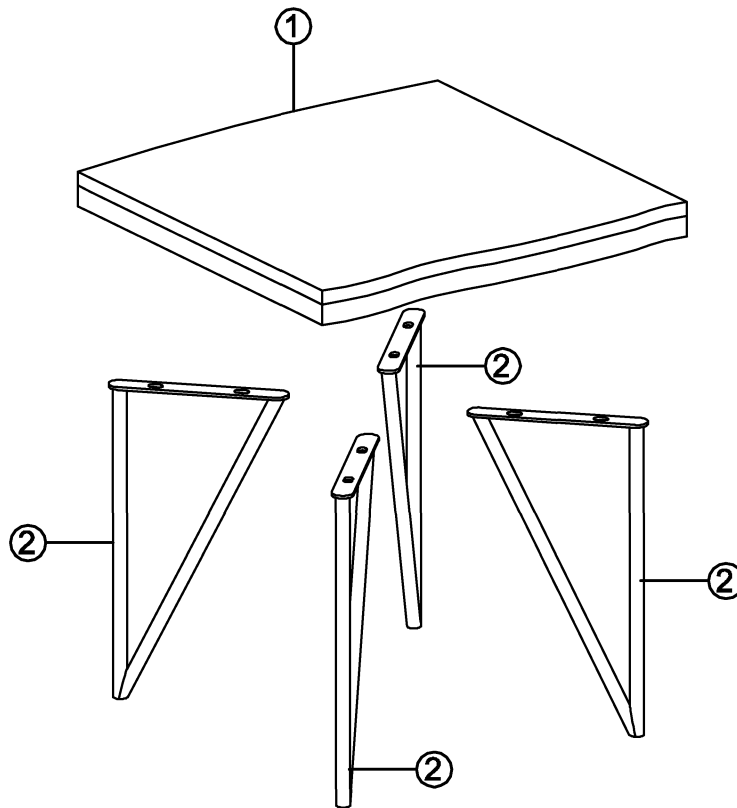
ASSEMBLY INSTRUCTIONS







30 MIN



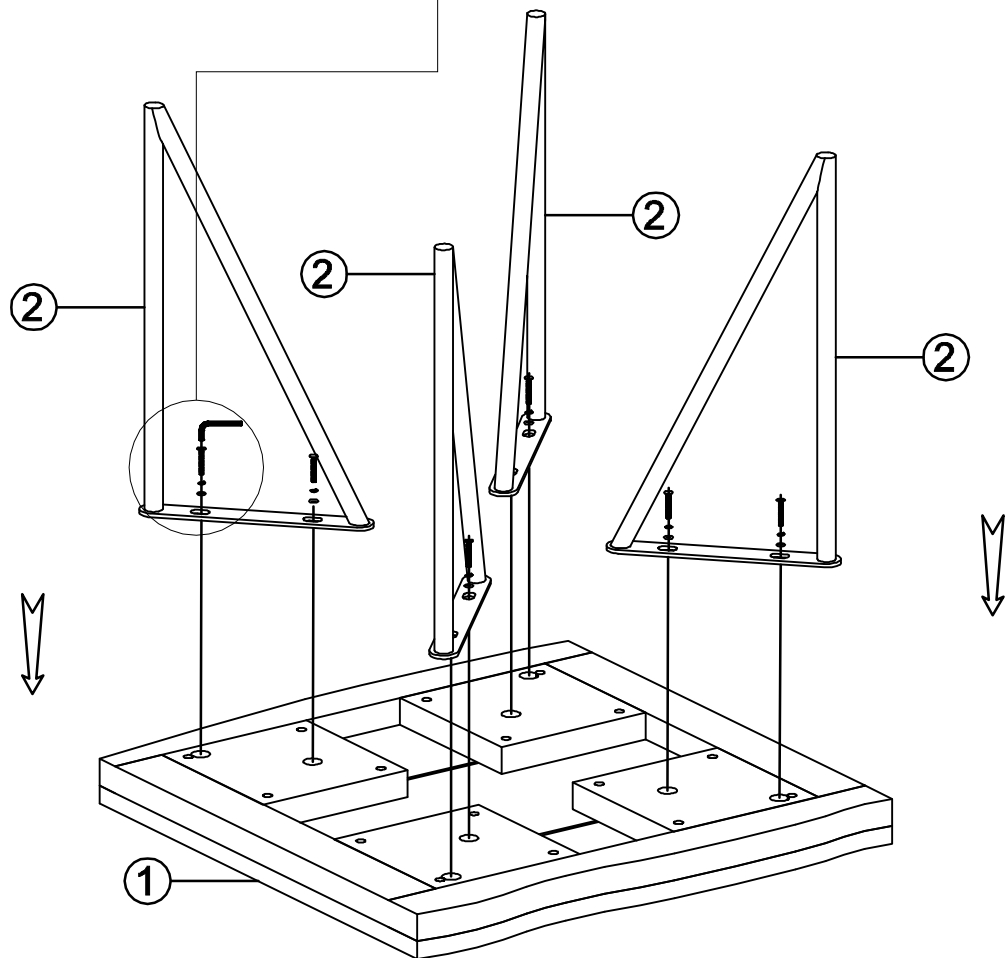
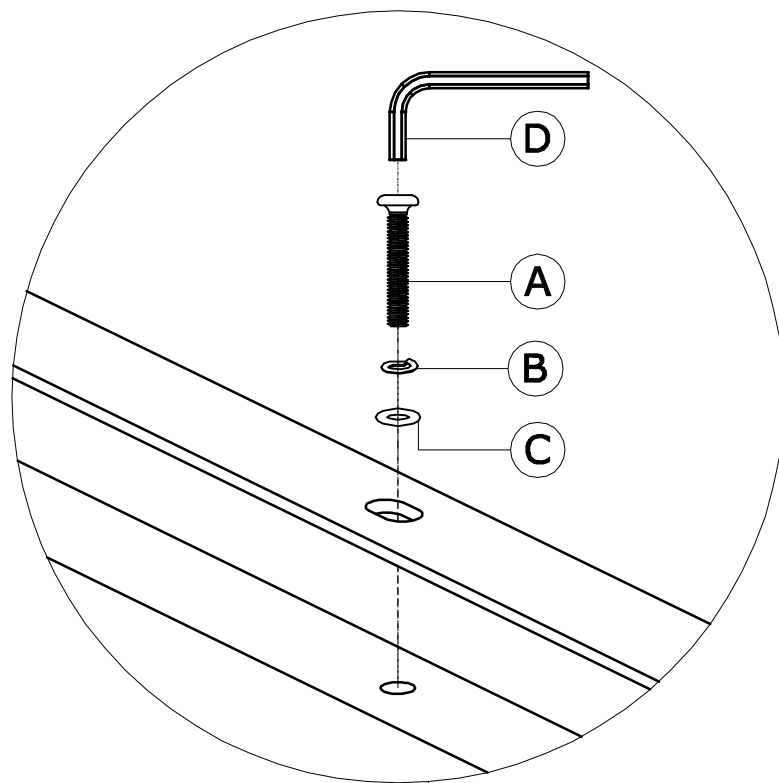
1	TOP	01 PC
2	LEGS	04 PCS






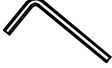
A	BOLT Ø15 x M8 x 30 mm		08 PCS
B	SPRING WASHER M8 x Ø13 x 1.2 mm		08 PCS

C	WASHER M8 x Ø19 x 2 mm		08 PCS
D	ALLEN KEY Ø4 x 60 mm		01 PC

I



A	BOLT Ø15 x M8 x 30 mm	 08 PCS
B	SPRING WASHER M8 x Ø13 x 1.2 mm	 08 PCS

C	WASHER M8 x Ø19 x 2 mm	 08 PCS
D	ALLEN KEY Ø4 x 60 mm	 01 PC

ASSEMBLY IS COMPLETE

