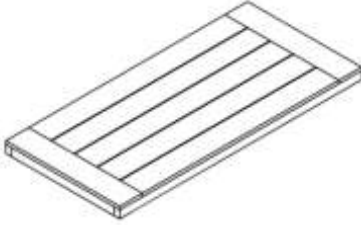
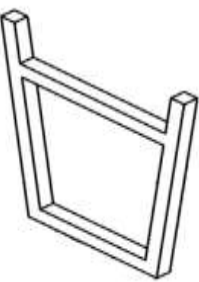
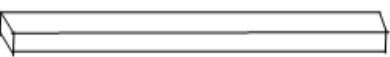


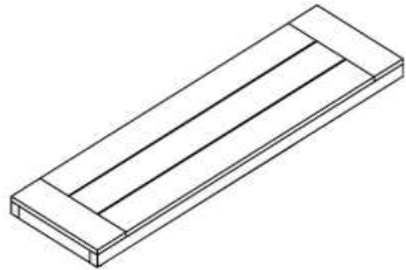
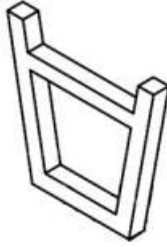
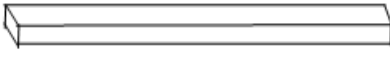
ASSEMBLY INSTRUCTION

PACKING DETAILS: TOTAL 2 BOXES

BOX-1/2

NO.	PARTS	QTY
3		1
4		2
5		1

BOX-2/2

NO.	PARTS	QTY
1		2
2		4
6		2

HARDWARE

(A)



Ø8x80mm
18 pcs

(B)



Ø8x60mm
6 pcs

(C)



18 pcs

(D)



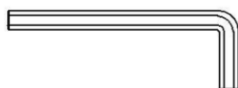
18 pcs

(E)



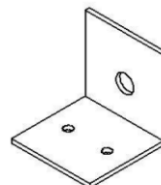
1 pcs

(F)



Ø4mm
1 pcs

(G)



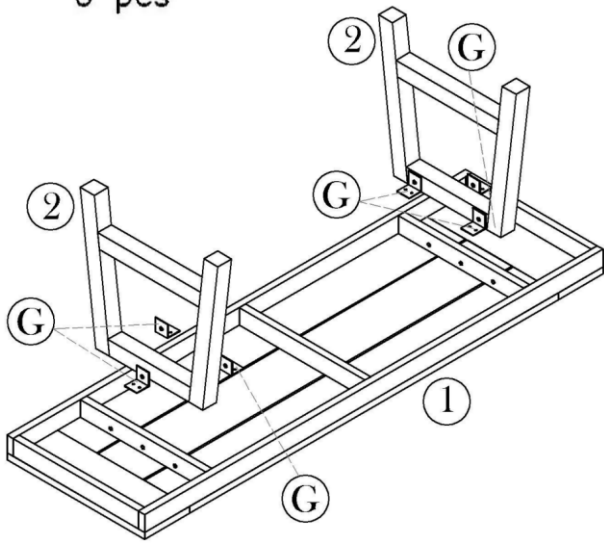
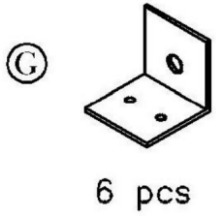
18 pcs

(H)



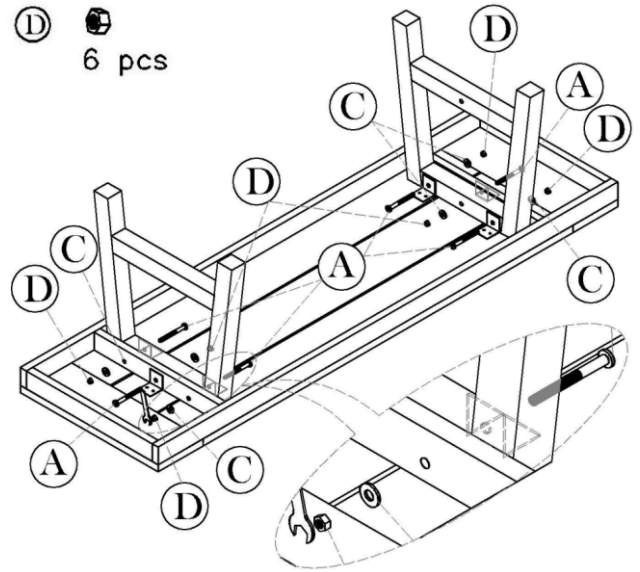
36 pcs

01



02

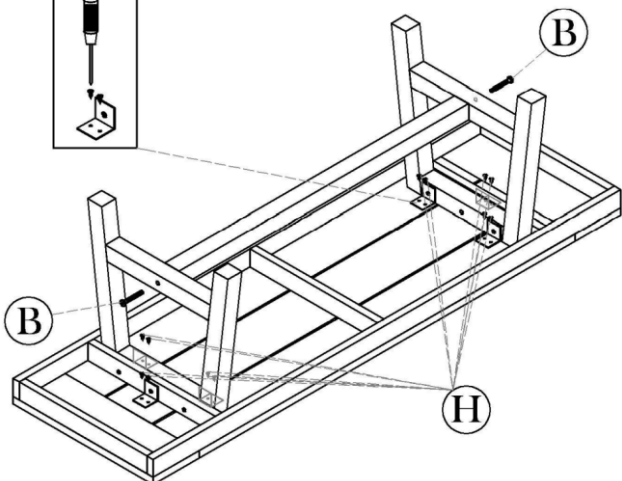
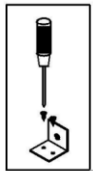
- (A) $\varnothing 8 \times 80 \times 6$ pcs
- (C) 6 pcs
- (D) 6 pcs



03

- (B) $\varnothing 8 \times 60 \times 2$ pcs
- (H) 12 pcs

The screwdriver is not included.



04

