

Installation operation guide

Model Specifications: Horseshoe ø500*H430mm L5

Please use Figure 1 for this lamp. Installation operation guide for ceiling lamp

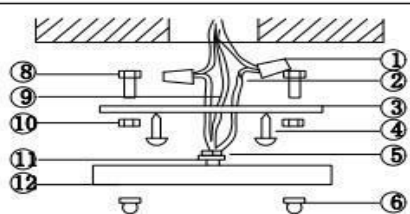


Figure 1 Ceiling lamp

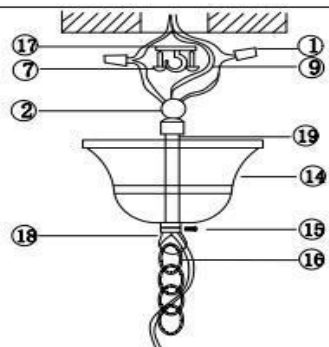


Figure 2 Chandelier

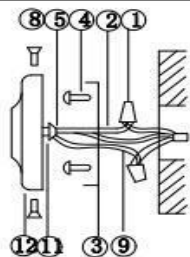
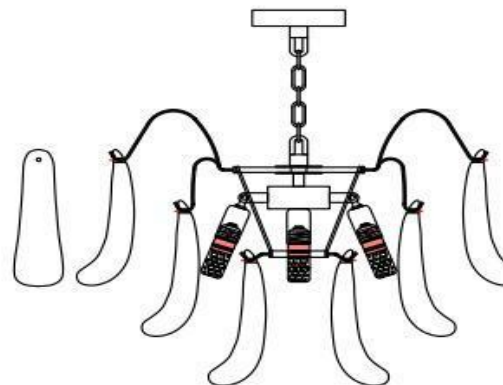


Figure 3 Wall lamp

- (1) Wiring pads
- (2) Power cord
- (3) hanging board
- (4) Self-tapping screws
- (5) Nut
- (6) bald nut/beauty
- (7) Beautiful
- (8) Hanging plate screws
- (9) Grounding wire
- (10) Hanging plate nut
- (11) Toothed washer
- (12) Ceiling tray
- (13) Beautiful
- (14) Hang Bell
- (15) Safety screw
- (16) Chain
- (17) Hanging board
- (18) Ring
- (19) Boom



A	70 * 210 horseshoe glass	22
---	--------------------------	----

B	E12 LED three-color light bulb	5
---	--------------------------------	---

Figure 1 Installation method:

1. Fix the hanging plate (3) to the ceiling with self-tapping screws (4) (to be firmly fixed and safe)
2. Wiring operation: First connect one of the black wires of the lamp body power cord with the live wire, and connect the other with the sin wire.
Connect the wire with the yellow-green logo with the connecting wire.
After connecting, pull hard and the wiring particles will not fall off.
3. Pass the two hanging board screws (8) on the hanging board through the two small holes on the lamp body ceiling plate (12), and then use the hanging board screw and the bald nut/Midea to fix the ceiling plate.