


Assembly Instructions

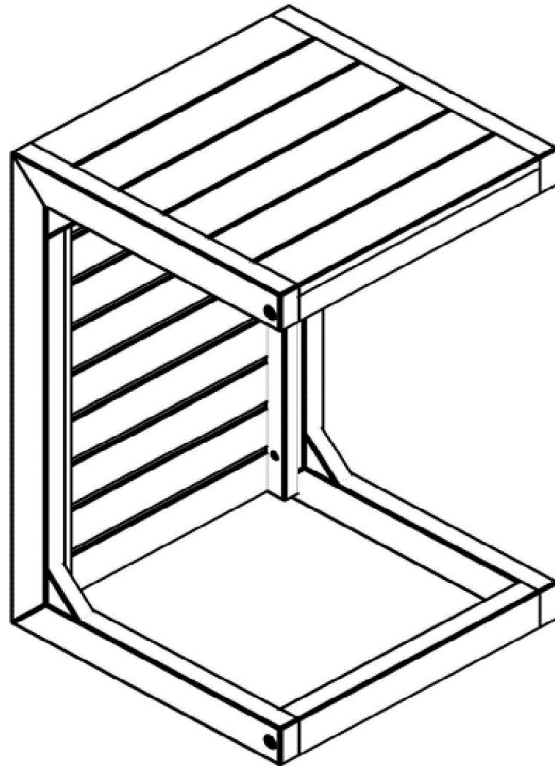
Caution: You must read this before you proceed

Care & Maintenance

-  • Not for commercial use. For residential use only.
-  • Do not put hot items directly on furniture surface.
-  • Do not clean furniture with harsh cleansers or polish.
-  • To obtain the longest lifespan of your outdoor product minimizing exposure to direct sunlight is recommended.
-  • Children should not climb or jump on the furniture.
-  • Do not write on furniture without a padded barrier to protect the surface.
-  • To obtain the longest lifespan of your outdoor products, avoid extended and lengthy exposure to rain, snow, and direct sunshine. Whenever possible cover the product and /or place under patio or awnings.
-  • Stains may be removed with mild soap solution and damp cloth.
-  • Dust and pick-up spills using a clean, non-colored, lint-free cloth.

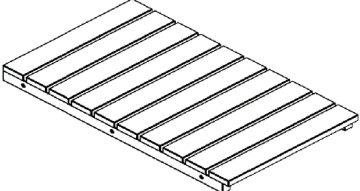
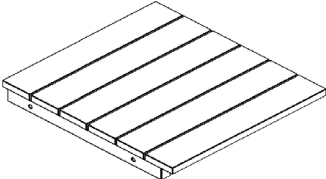
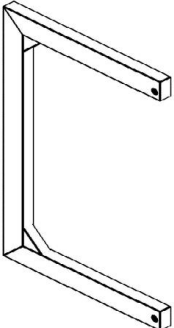
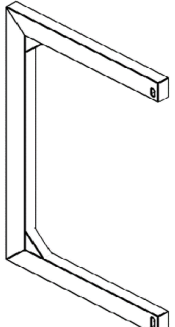
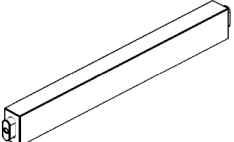
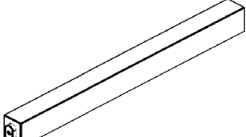
Please look in the Leg Panel for hardware packs and legs

TABLE


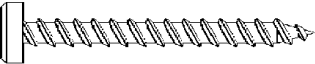



Caution: This Table is NOT a TOY.
Keep your child / children at bay during the assembly process.
Whenever lifting or moving the Table and to prevent damage to the Table, two adults may be needed to execute these actions.

Parts List:

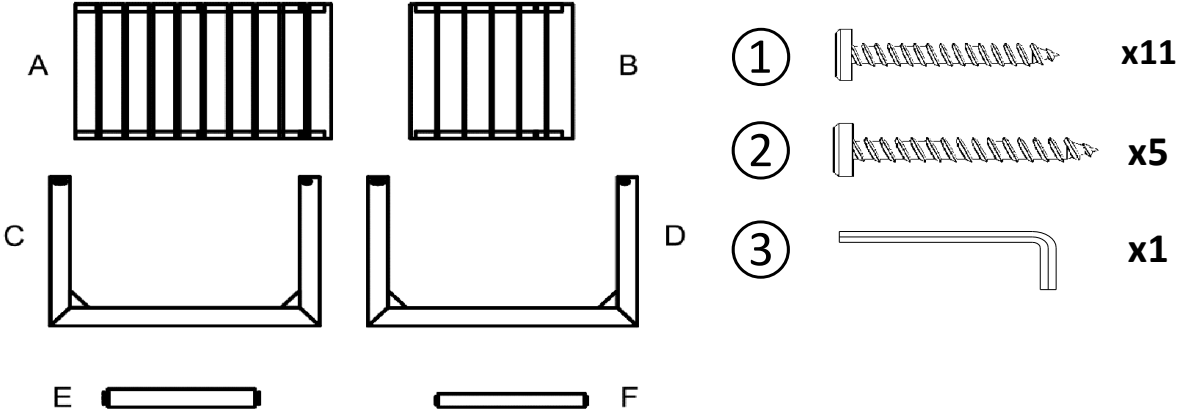
Label	Picture	Description	QTY
A		SideTable Top	1
B		Table Top	1
C		Left Leg Panel	1
D		Right Leg Panel	1
E		First Support Bar	1
F		Second Support Bar	1

Hardware:




Label	Picture	Description	QTY
①		Screw (M6*35mm)	11
②		Screw (M6*60mm)	5
③		Allen Wrench	1






Assembly Preparation:

Before Beginning Assembly:



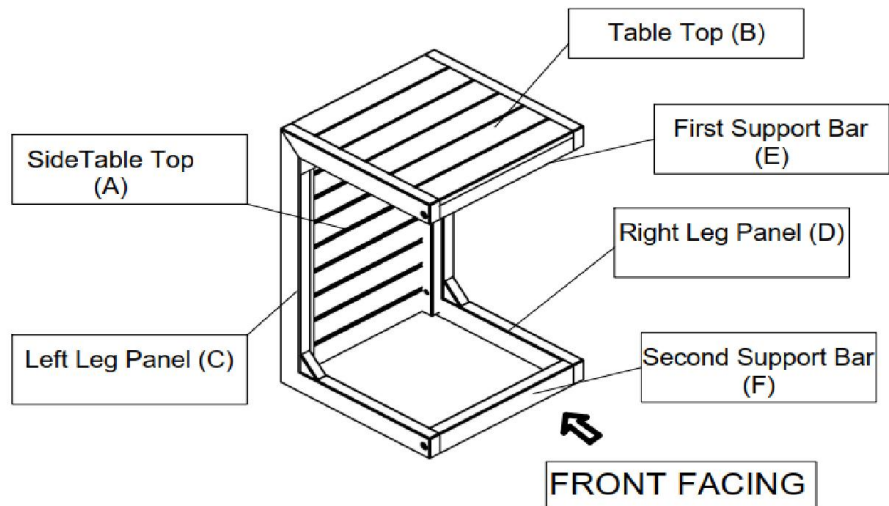
The diagram illustrates the assembly preparation steps. It shows two views of a rectangular frame (A and B), two views of a U-shaped frame (C and D), and two views of a long thin bar (E and F). To the right, a hardware list is provided:

- ①  **x11**
- ②  **x5**
- ③  **x1**

-  • Read instructions, cover to cover-
-  • Have 2 adults on hand for assembly-
-  • Do not assemble on flooring or carpet-
-  • Assemble on a clean non-marring surface (packing foam)-
-  • Save all packaging until finished-

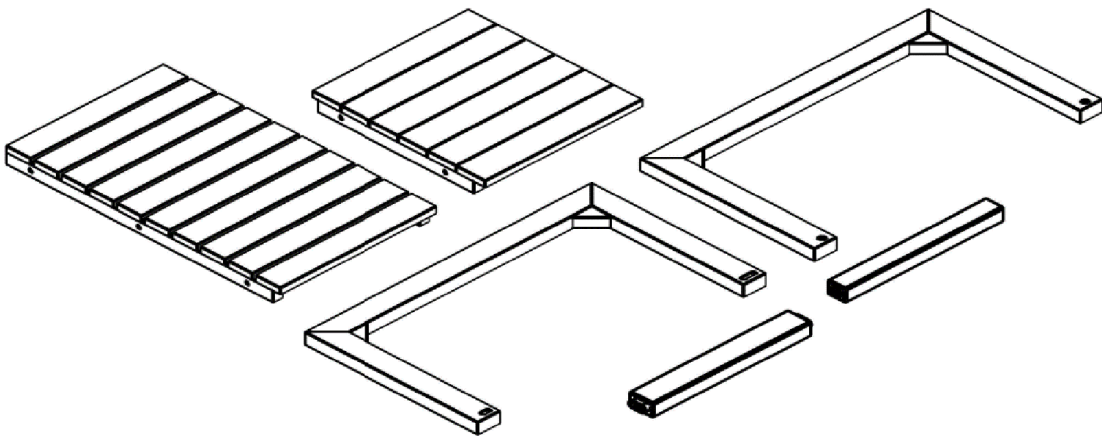
Assembly Steps:

Overview:



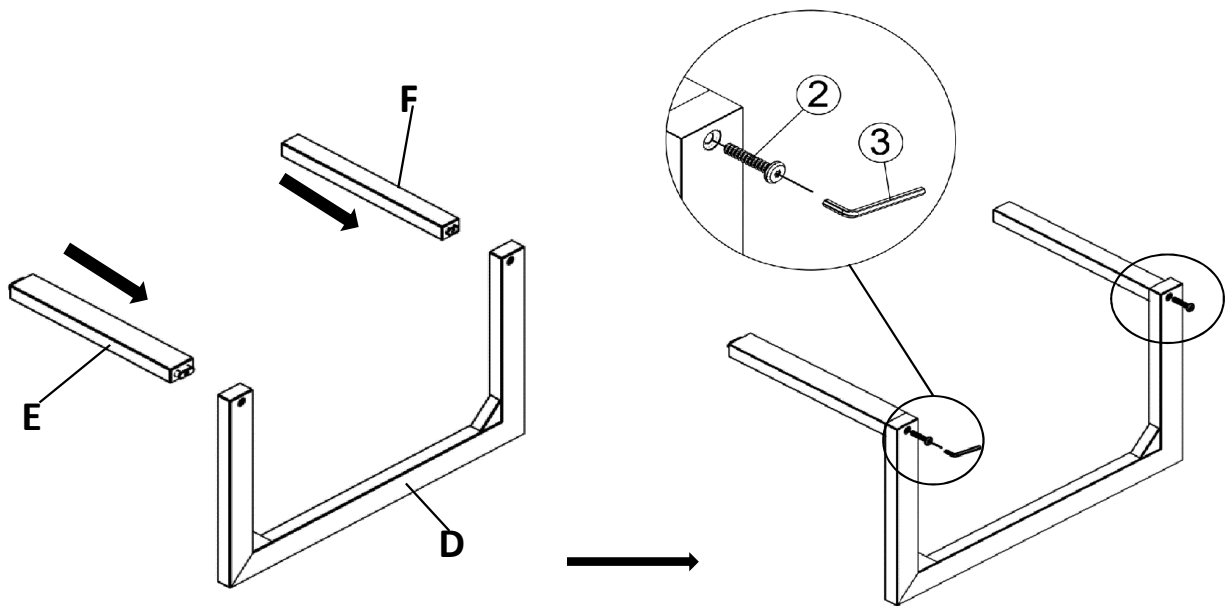
This Table has multiple parts and may require up to 30 minutes to assemble. To give you an overview of the Table parts, the above picture is to help you put the various parts into perspective. Please read through the instructions below to familiarise yourself with the parts and steps before assembly.

Step 1:



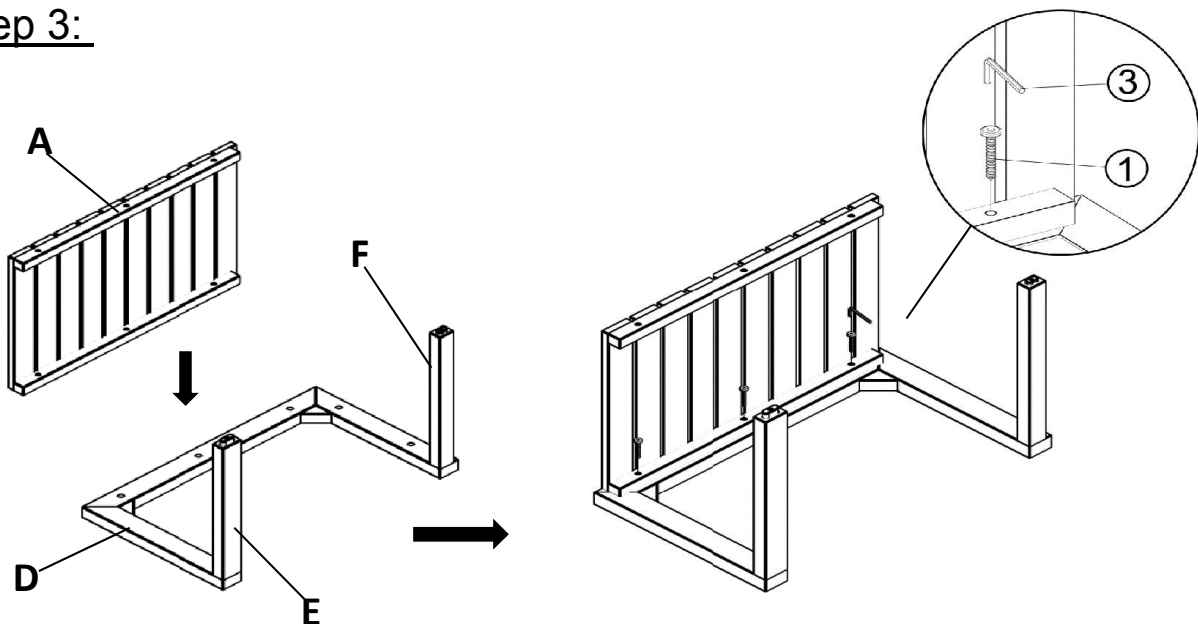
Unpack and place all parts on a clean, non-marring surface.

Step 2:



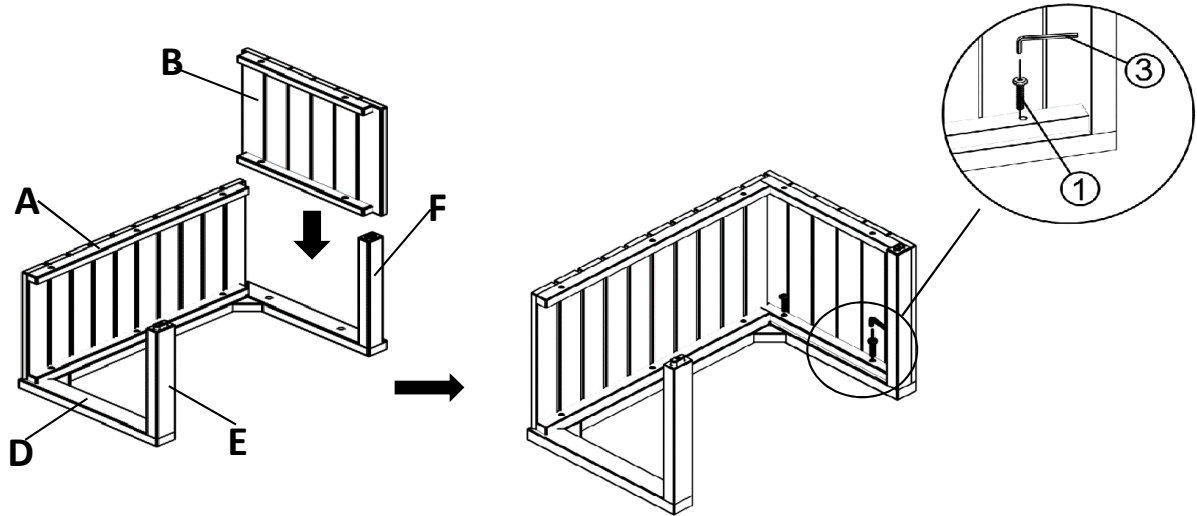
With the help of your adult partner, put the tenon of First Support Bar (E) into the mortise of the Right Leg Panel (D), then secure by using Screw (②) and Allen Wrench (③) as shown above. **Do not fully tighten the Screws.**

Step 3:



Turn upside down the assembled in Step 2 on a clean, non-marring surface. Attach the Side Table Top (A) to the assembled in Step 2 by using Screws (①) and Allen Wrench (③) as shown above. **Do not fully tighten the Screws.**

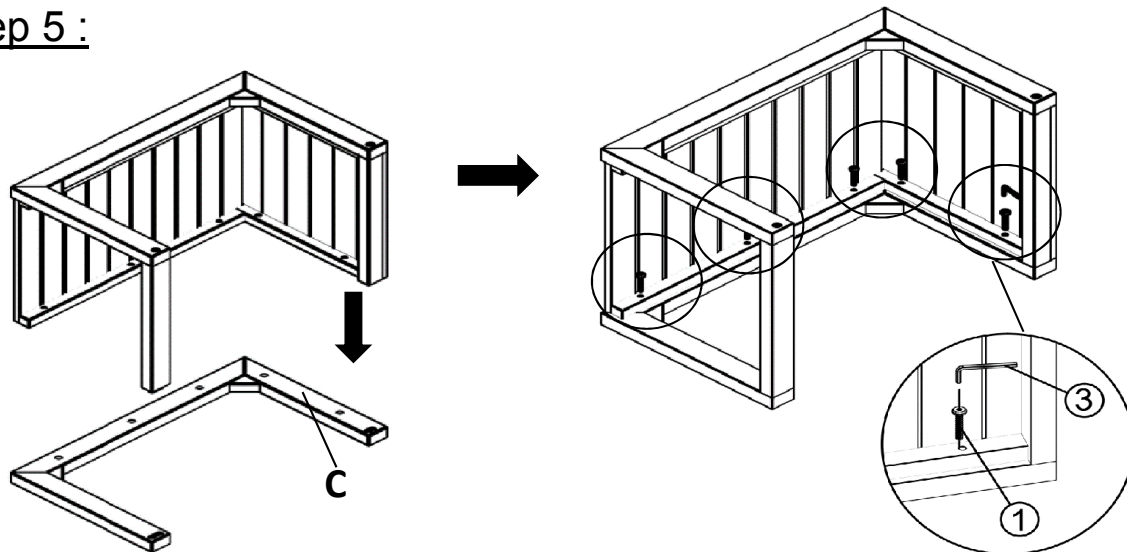
Step 4 :



Attach the Table Top (B) to the assembled in Step 3 by using Screws (①) and Allen Wrench (③) as shown above.

Do not fully tighten the Screws.

Step 5 :

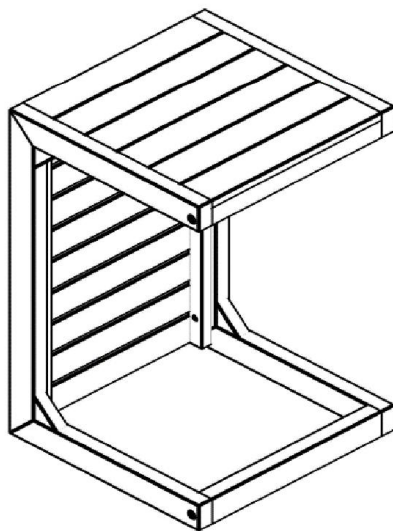


Place the Left Leg Panel (C) on a clean, non-marring surface.

Attach the Left Leg Panel (C) to the assembled in Step 4 by using (1) and Allen Wrench (3) as shown above.

Do not fully tighten the Screws.

Step 6 :



With the help of your adult partner, stand the Table up.

Exert pressure floorwards, onto the Table with both your hands.

This pressure will help the Legs and Table Top reach full alignment status.

Check for wobbles on a LEVEL surface.

If no wobbles are found proceed to tighten the Screws in a sequential manner, until evenly secured.

When tightening the Screws tighten sequentially.

Do not tighten any Screw fully and then move on towards the next one.

If there are still wobbles, loosen the Screws and execute the same above process.

Your Table is ready for use.

This Table can only be used on a flat, level surface.