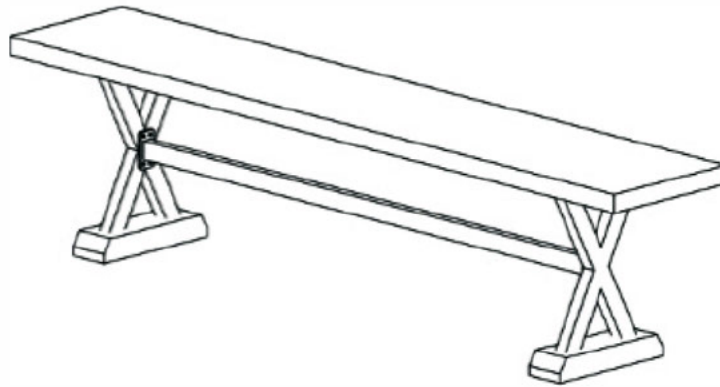


# Assembly Instructions

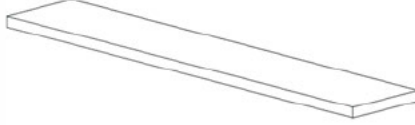


**Caution : You must read this before you proceed**

**Please look in the desk box for hardware packs.**





## Bench



### Part List

Label	Picture	Description	QTY
1		Bench Top	1
2		Legs	2
3		connecting Bar	1

### Hardware

Label	Picture	Description	QTY
A		M6*16 screw	25
B		M6 spring washer	25
C		M6*16 flat washer	25
D		M6 wrench	1

## Assembly Preparation



Before Beginning Assembly:

\*Before beginning assembly of product, make sure all parts are present. Compare parts with package contents list. If any parts is missing or damaged, do not attempt to assemble the product.



- Read instructions, cover to cover-



- Have 2 adults on hand for assembly-



- Do not assemble on flooring or carpet-



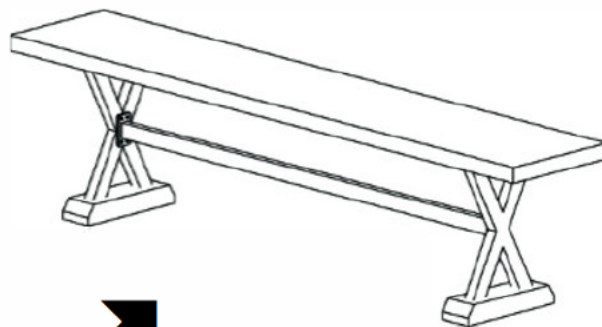
- Assemble on a clean non-marring surface (packing foam)-



- Save all packaging until finished-

## Assembly Steps

### OVERVIEW




**FRONT FACING**


This Bench has multiple parts and may require up to 30 minutes to assemble. To give you an overview of the Bench parts, the above picture is to help you put the various Bench parts into perspective.


Please read through the instructions below to familiarise yourself with the parts and steps before assembly.

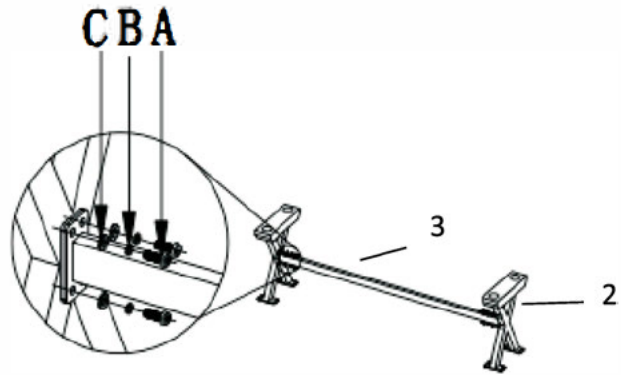
## Step 1

### Hardware Used

A: M6 screw 

B: Spring washer 

C: Flat Washer 





Put the two Legs(2) on the ground, then assembly Connecting Bar(3). From one end of the Connecting Bar to start. Insert the Connecting Bar(3) by using M6 Screw(A), and then Spring Washer(B), Flat Washer (C), onto the Legs(2), tightening with Allen Key(E). Repeat the same process on the other side.

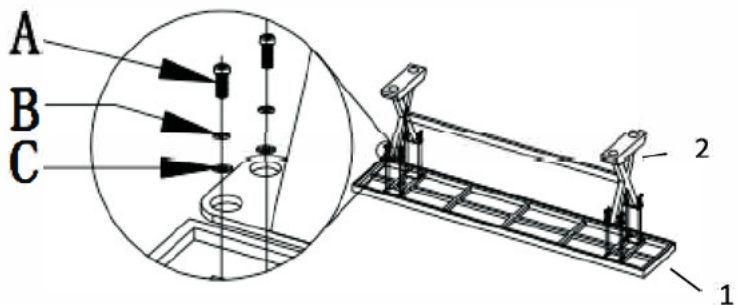
## Step 2

### Hardware Used

A: M6 Screw  ×8

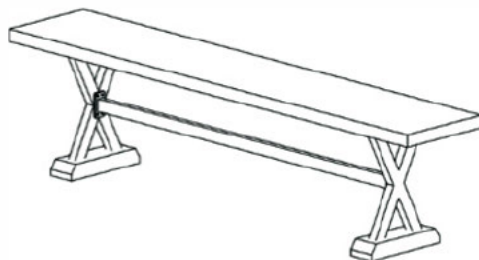
B: Spring Washer  ×8

C: Flat Washer  ×8





















Position the bottom of the Bench top(1) as shown. And then insert the Legs(2) into the mounting position of Bench Top(1). Attach the Legs(2) by using M6 Screw(A) + Spring Washer(B) + Flat Washer (C), onto metal plate of Legs(2), tightening with Allen Key(E).

## Step 3



Make sure all parts are connected and securely locked into position. Your Table is ready for use. This Table can only be used on a flat, level surface.

## Care & Maintenance

-   ● Do not put hot items directly on furniture surface
  -   ● Do not clean furniture with harsh cleansers or polish.
  -   ● To obtain the longest lifespan of your outdoor products, minimizing exposure to direct sunlight is recommended.
  -   ● Children should not climb or jump on the furniture.
  -   ● Do not write on furniture without a padded barrier to protect the surface.
  -   ● To obtain the longest lifespan of your outdoor products, avoid extended and lengthy exposure to rain, snow, and direct sunshine. Whenever possible cover the product and /or place under patio or awnings.
  -   ● Not for commercial use. For residential use only .
  -   ● Stains may be removed with mild soap solution and damp cloth.
- 
-   ● Dust and pick-up spills using a clean, non-colored, lint-free cloth .