

# Assembly Instructions

## Case & Maintenance



Not for commercial use. For residential use only.



Furniture may scratch floors. We recommend using furniture pads to protect your floors.



Do not put hot items directly on furniture surface.



Do not clean furniture with harsh cleansers or polish.



Do not place furniture under direct sunlight.



Do not write on furniture near heating or cooling vents.



Do not write on furniture without a padded barrier to protect the surface.



Do not place furniture outside for indoor use only



Stains may be removed with mild soap solution and damp cloth.



Children should not climb or jump on the furniture.

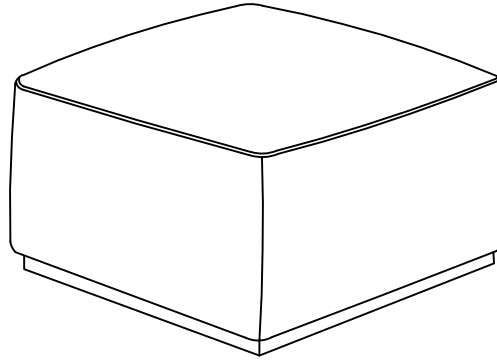


Dust and pick-upspills using a clean, non-colored, lint-free cloth.

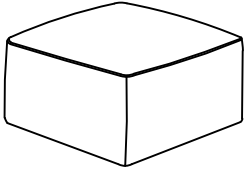
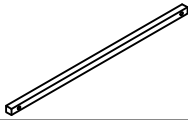
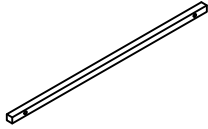




Please look in the box for hardware packs and legs.

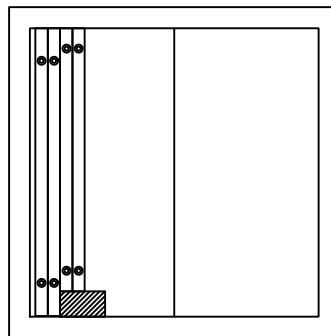
Sets oftenship in multiple boxes and may arrive a day or two apart.

# Ottoman N769P350123B

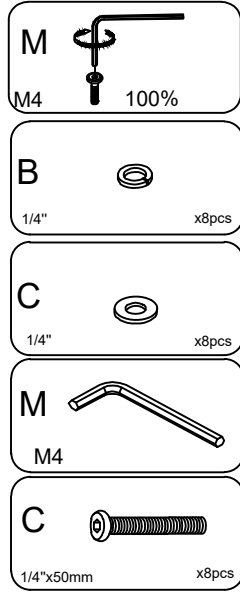
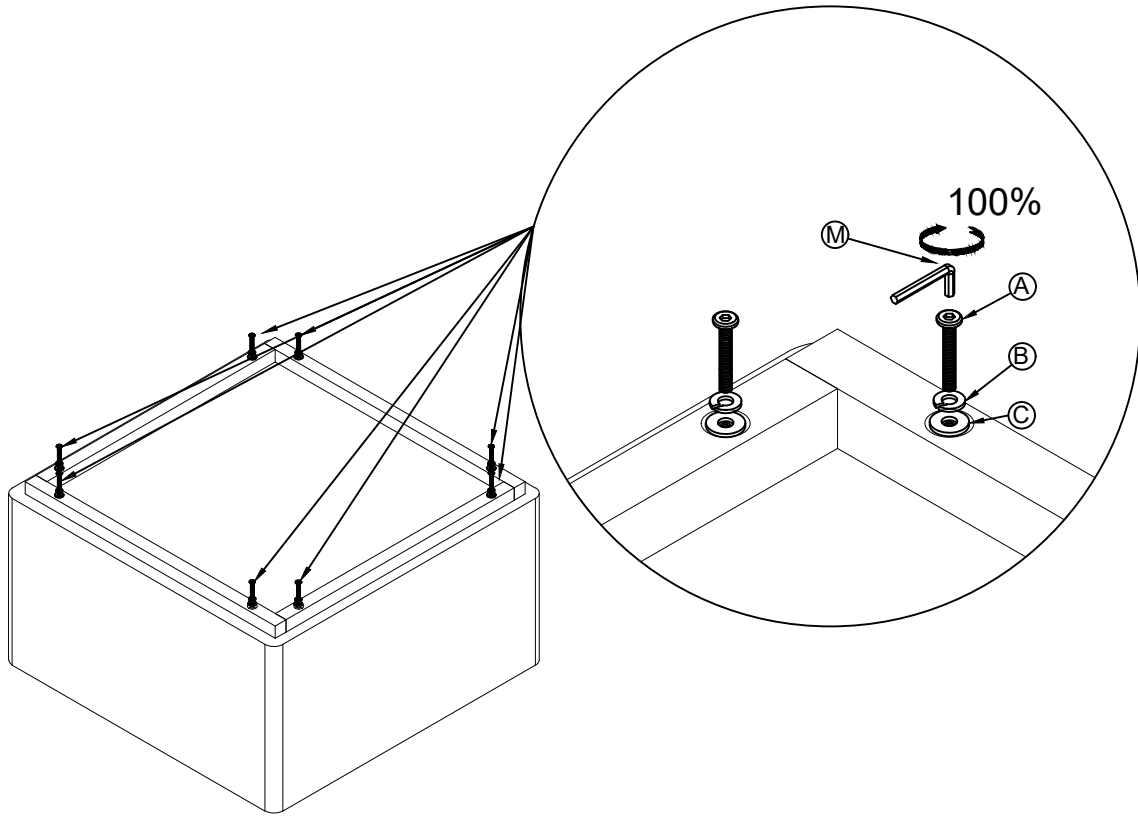


## Part List

|   |   |                  |     |
|---|---|------------------|-----|
| ① |    | Ottoman          | 1   |
| ② |    | Short Legs Frame | 2   |
| ③ |   | Long Legs Frame  | 2   |
| A |  | Bolts(1/4x50mm)  | 8+1 |
| B |  | Lock washer(1/4) | 8+1 |
| C |  | Flat washer(1/4) | 8+1 |
| M |  | Allen Wrench(M4) | 1+1 |



Noted :Short Legs Frame(2), Long Legs Frame(3) and Hardware package are packed in the box below of the Ottoman(1)



Attach the 2 Short Legs Frame(2) and 2 Long Legs Frame to the Ottoman(1)  
 By using the Bolts (C),the Flat Washer(F) and the Lock Washer(E) with M4 Allen Wrench(M)  
 Note : Short legs frame(2) is opposite with Short legs frame(2) , Long legs frame(3) is opposite with Long legs frame(3).

## Finish

