



FORNO

Alta Qualita

Dishwasher



Installation Manual

Model :

FDWBI8067-24S | FDWBI8067-24WHT | FDWBI8067-24BLK

Installation Instructions



Dishwasher



BEFORE YOU BEGIN

Read these instructions completely and carefully.

IMPORTANT – Observe all governing codes and ordinances.

- **Note to Installer** – Be sure to leave these instructions for the consumer's and local inspector's use.
- **Note to Consumer** – Keep these instructions with your Owner's Manual for future reference.
- **Skill Level** – Installation of this dishwasher requires basic mechanical and electrical skills. **Proper installation is the responsibility of the installer. Product failure due to improper installation is not covered under the Appliance Warranty.**
- **Completion Time – 1 to 3 Hours.** New installations require more time than replacement installations.

IMPORTANT – The dishwasher **MUST** be installed to allow for future removal from the enclosure if service is required.

If you received a damaged dishwasher, you should immediately contact your dealer or builder.

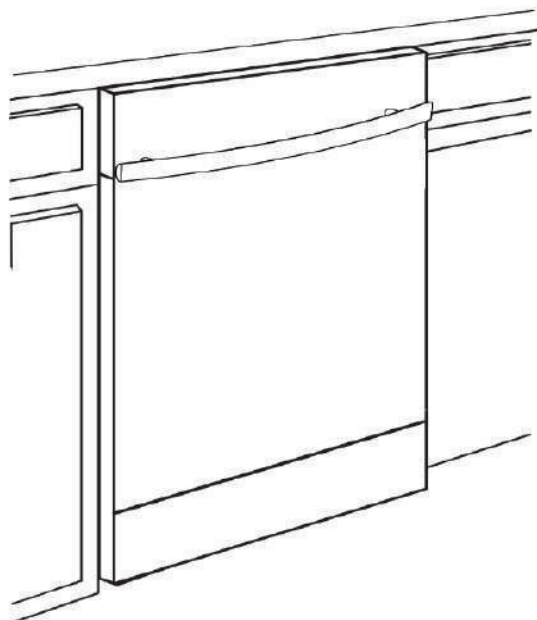
FOR YOUR SAFETY

Read and observe all **CAUTIONS** and **WARNINGS** shown throughout these instructions. While performing installations described in this booklet, gloves, safety glasses or goggles should be worn.



WARNING

To reduce the risk of electrical shock, fire, or injury to persons, the installer must ensure that the dishwasher is completely enclosed at the time of installation.



**READ CAREFULLY.
KEEP THESE INSTRUCTIONS.**

If you have an installation problem, contact your dealer or installer. You are responsible for providing adequate electrical, exhausting and other connecting facilities.

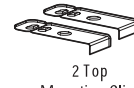
Installation Preparation

PARTS SUPPLIED:

- Four flat head wood screws to secure dishwasher to underside of countertop (in literature package).
- Screw type hose clamps and one drain hose.
- 2 top mounting clips.



4 Wood Screws



2 Top Mounting Clips



Screw Type Hose Clamp

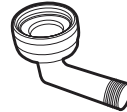


Drain Hose

MATERIALS YOU WILL NEED :

- Ferrule, compression nut and 90° Elbow (3/4" NPT external thread on one end, opposite end sized to fit water supply)
- Thread seal tape
- UL Listed wire nuts (3)

Other Parts Needed(not provided):



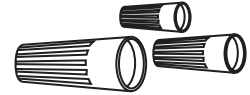
90° Fitting (3/4"). The other end should be sized to fit the water supply line.



Hand Shut-Off Valve



Thread Seal Tape



Wire Nuts (3)

Materials For New Installations Only:

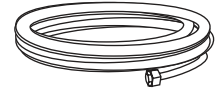
- Air gap for drain hose, if required
- Waste tee for house plumbing, if applicable
- Electrical cable or power cord, if applicable
- Screw type hose clamps
- Strain relief for electrical connection.
- Hand shut-off valve
- Water line 3/8" min. copper
- Coupler for extending drain line, if applicable



Waste Tee



Electrical Cable (or Power Cord, if applicable)



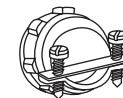
Hot Water line



Air Gap



Screw Type Hose Clamps



Strain Relief



Coupler

TOOLS YOU WILL NEED:

- Phillips head screwdriver
- 5/16" and 1/4" nutdriver
- 6" Adjustable wrench
- Level
- Carpenters square
- Measuring tape
- Safety glasses
- Flashlight
- Bucket to catch water when flushing the line
- Gloves

Phillips Head Screwdriver



1/4" and 5/16" Nut-driver



Level



Flashlight



6" Adjustable Wrench



Tubing Cutter

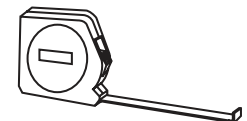
Carpenters Square



Bucket



Safety Glasses



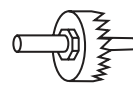
Measuring Tape

For New Installations Only:

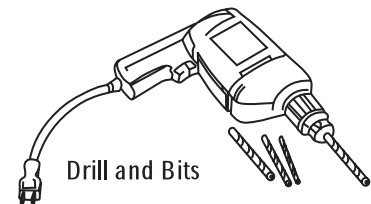
- Tubing cutter
- Drill and appropriate bits
- Hole saw set



Gloves

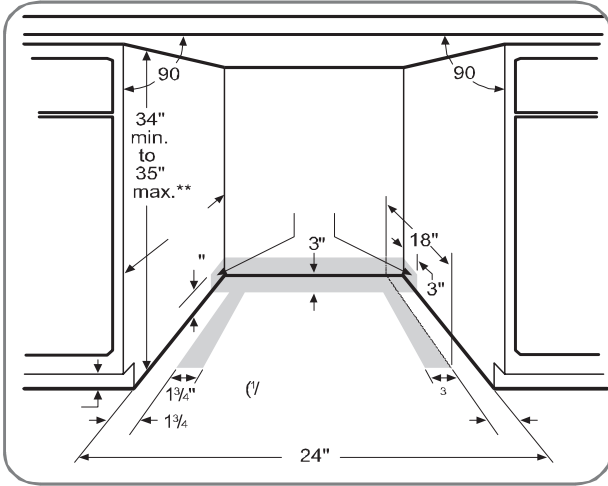


Hole Saw Set



Drill and Bits

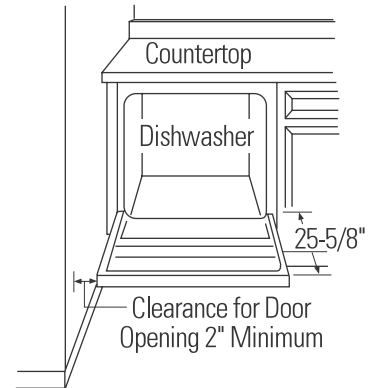
Installation Preparation



- The rough cabinet opening must be at least 24" deep. The opening should be 35" max. height.

- The dishwasher must be installed so that drain hose is no more than 10 feet in length for proper drainage.
- The dishwasher must be fully enclosed on the top, sides and back, and must not support any part of the enclosure.

CLEARANCES: When installed into a corner, allow 2" min. clearance between dishwasher and adjacent cabinet, wall or other appliances. Allow 25-5/8" min. clearance from the front of the dishwasher for door opening. Figure B



DRAIN REQUIREMENTS

- Follow local codes and ordinances.
- Do not exceed 10 feet distance to drain.
- Do not connect drain lines from other devices to the dishwasher drain hose.
- Dishwasher must be connected to waste line with an air gap (not supplied) or 32" minimum high drain loop, depending on local codes and ordinances to prevent back flow into the dishwasher.
- Air gap must be used if waste tee or disposer connection is less than 18" above the floor to prevent siphoning.

DRAIN PREPARATION

The type of drain installation depends on answers to the following questions:

- Do local codes or ordinances require an air gap?
- Will waste tee or disposer connection be less than 18" above the floor?
- Will installation have a drain loop less than 32" above floor?

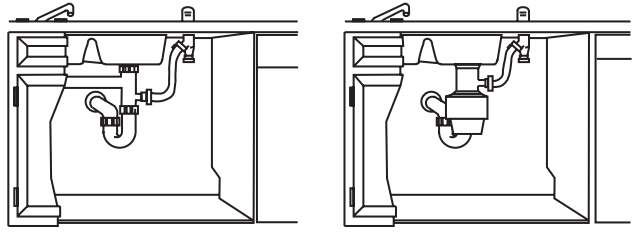
If the answer to **ANY** of the 3 questions above is **YES**, **Method 1 MUST be used**. Otherwise either Method 1 or Method 2 may be used. Figure C or Figure D.

CAUTION:

An air gap **MUST BE USED** if the drain hose is connected to waste tee or disposer lower than 18" above the floor.

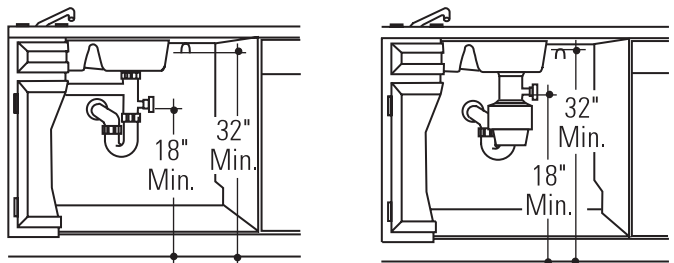
Failure to provide the proper drain connection height with air gap or 32" minimum, high drain loop will result in improper draining of the dishwasher.

Method 1 – Air Gap with Waste Tee or Disposer



Method 2 – High Drain with Waste Tee or Disposer

Provide a method to attach drain hose to underside of countertop.



Install waste tee or disposer and air gap according to manufacturer's instructions.

CABINET PREPARATION

- Drill a 1-1/2" dia. hole in the cabinet wall within the shaded areas shown in Figure A for the drain hose connection. The hole should be smooth with no sharp edges.

Installation Preparation

PREPARE ELECTRICAL WIRING



WARNING

FOR PERSONAL SAFETY: Remove house fuse or open circuit breaker before beginning installation. Do not use an extension cord or adapter plug with this appliance.

Electrical Requirements

- This appliance must be supplied with 120V, 60 Hz., and connected to an individual properly grounded branch circuit, protected by a 15 or 20 ampere circuit breaker or time delay fuse.
- Wiring must be 2 wire with ground.
- If the electrical supply does not meet the above requirements, call a licensed electrician before proceeding.

Grounding Instructions - Cable Direct

This appliance must be connected to a grounded metal, permanent wiring system, or an equipment grounding conductor must be run with the circuit conductors and be connected to the equipment grounding terminal or lead on the appliance.

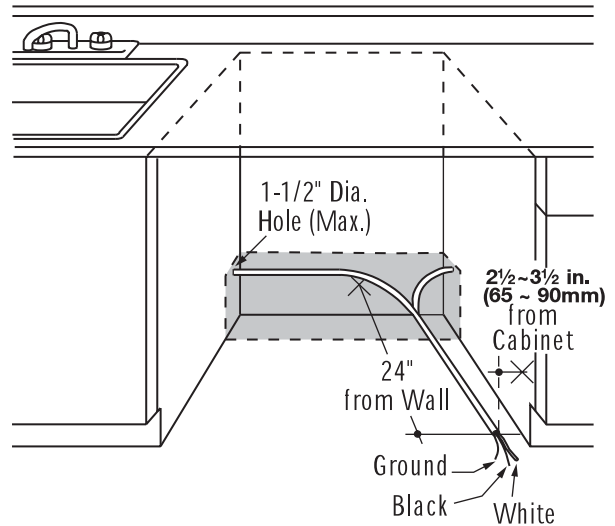
Grounding Instructions - Power Cord Models

This appliance must be grounded. In the event of a malfunction or breakdown, grounding will reduce the risk of electrical shock by providing a path of least resistance for electric current. The plug must be plugged into an appropriate outlet that is installed and grounded in accordance with local codes and ordinances.



WARNING

The improper connection of the equipment grounding conductor can result in a risk of electric shock. Check with a qualified electrician or service representative if you are in doubt that the appliance is properly grounded.



Cabinet Preparation & Wire Routing

- The wiring may enter the opening from either side, rear or the floor within the shaded area.
- Cut a 1-1/2" max. dia. hole to admit the electrical cable. The hole must be free of sharp edges. If the cabinet wall is metal, the hole edge must be covered with a bushing.
- Cable direct connections may pass through the same hole as the drain hose and hot water line, if convenient. If cabinet wall is metal, the hole edge must be covered with a bushing. NOTE: Power cords with plug must pass through a separate hole.

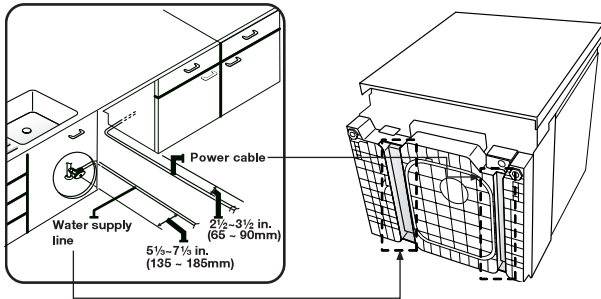
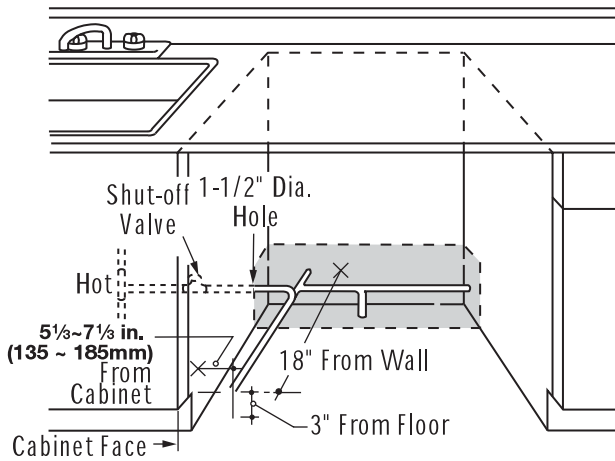
Electrical Connection to Dishwasher

- Electrical connection is on the right front of dishwasher.
- For cable direct connections the cable must be routed as shown in Figure E. Cable must extend a minimum of 24" from the rear wall.
 - For power cord connections, install a 3-prong grounding type receptacle. The power-supply receptacle for the appliance shall be installed in a cabinet or on a wall adjacent to the undercounter space in which the appliance is to be installed.

Installation Instructions

PREPARE HOT WATER LINE

- The line may enter from either side, rear or floor within the shaded area shown in Figure F.
- The line may pass through the same hole as the electrical cable and drain hose. Or, cut an additional 1-1/2" dia. hole to accommodate the water line. If power cord with plug is used, water line must not pass through power cord hole.



Water Line Connection

- Turn off the water supply.
- Install a hand shut-off valve in an accessible location, such as under the sink. (Optional, but strongly recommended and may be required by local codes.)
- Water connection is on the left side of the dishwasher. Install the hot water inlet line, using no less than 3/8" O.D. copper tubing. Route the line as shown in Figure F and extend forward at least 18" from rear wall.
- Adjust water heater for 120°F to 150°F temperature.
- Flush water line to clean out debris.
- The hot water supply line pressure must be 20-120 PSI.



CAUTION:

Opening the door will cause the dishwasher to tip forward. **Do not open the door until you are ready to install the dishwasher.** If it is necessary to open the door, hold the top of the dishwasher securely with one hand and hold the door with the other hand.

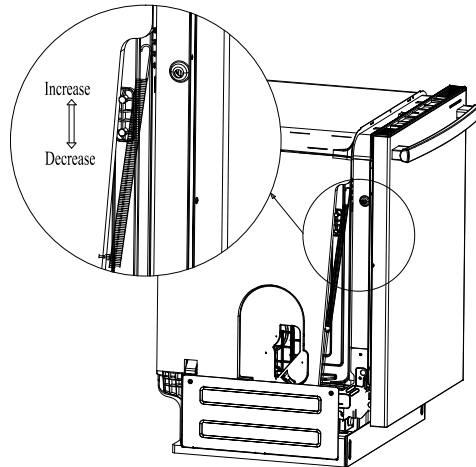


BEFORE YOU BEGIN

Locate and set aside the package containing 2 Phillips head countertop mounting screws and 2 additional toekick screws (located in the literature package).

STEP 1 CHECK DOOR BALANCE

To check the door balance, hold the top of the dishwasher firmly.

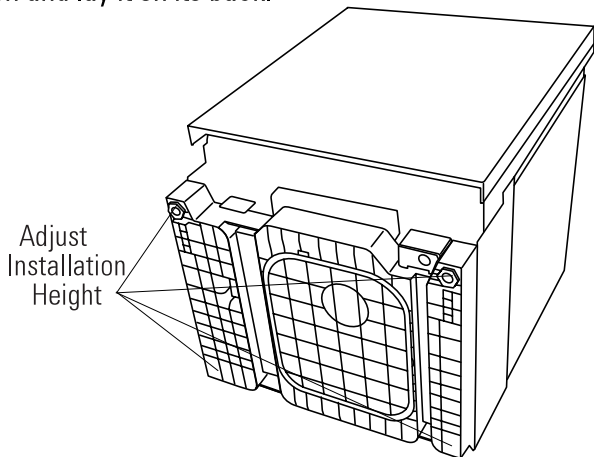


- Open the door slowly, if the door drops when released, increase spring tension. If the door closes when released, decrease tension.
- Adjust both door springs to the same tension.
- Continue moving the spring pin until door is balanced.

Installation Instructions

STEP 2 ADJUST LEVELING LEGS

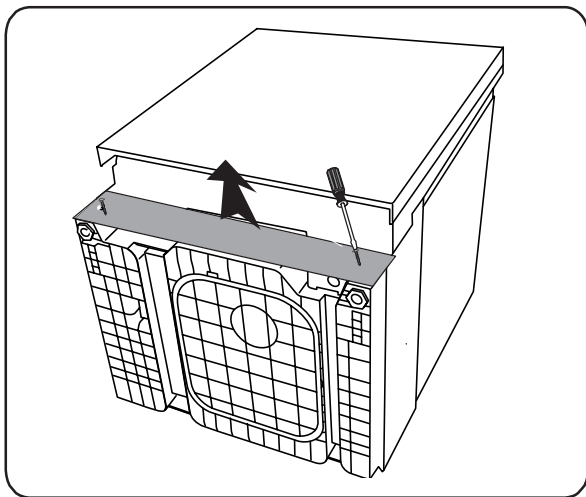
- Move the dishwasher close to the installation location and lay it on its back.



- Measure installation height and dishwasher height. Extend leveling legs out from the dishwasher base, 1/4" less than installation height.

STEP 3 REMOVE TOEKICK

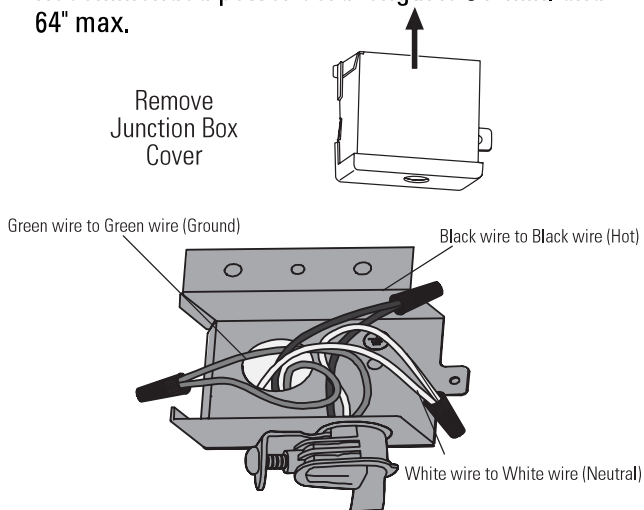
- Remove the 2 toekick screws. Lift off the 1 piece toekick.



STEP 4 INSTALL POWER CORD

Skip this step if dishwasher will be direct wired. Use power cord kit WX09X70910 available for purchase from an authorized parts dealer. The power cord and connections must comply with local codes and ordinances.

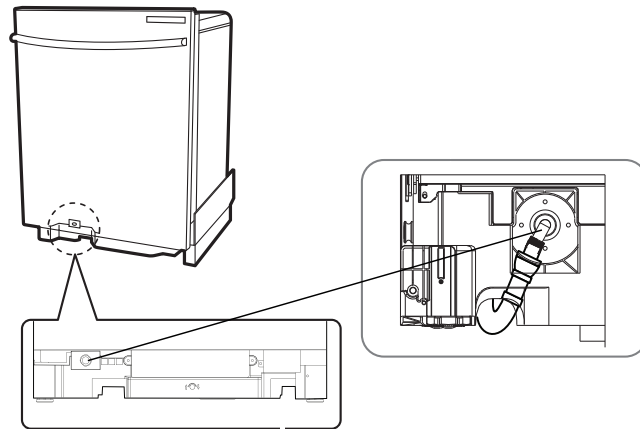
- Recommended power cord length is 54" min. and 64" max.



- Connect incoming power cord white (or ribbed) to dishwasher white, black (or smooth) to black and ground to dishwasher green wire. Use cUL/UL listed wire nuts of appropriate size.
- Replace junction box cover. Be sure wires are not pinched under the cover.

STEP 5 INSTALL 90° ELBOW

- Install a 90° elbow onto the water valve.

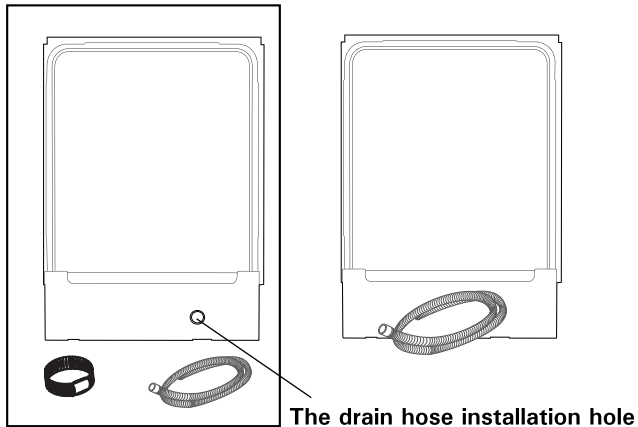


- Do not over tighten 90° elbow, water valve bracket could bend or water valve fitting could break.
- Position the end of the elbow to face the bottom right of the dishwasher.

Installation Instructions

STEP 6 INSTALL DRAIN HOSE

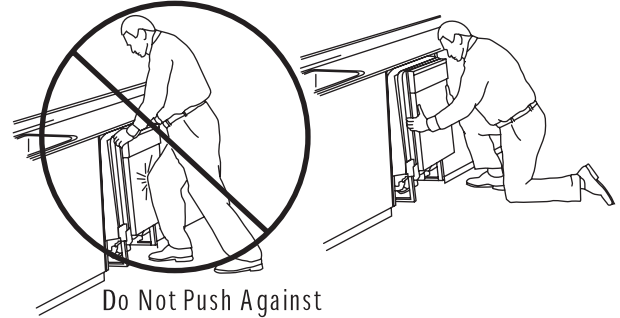
- Install the screw type hose clamps to the drain hose.
- Install the drain hose to the drain hose installation hose, then tighten the screw type hose hose.



STEP 8 SLIDE DISHWASHER PARTIALLY INTO CABINET

DO NOT PUSH AGAINST FRONT PANEL WITH KNEES. DAMAGE WILL OCCUR.

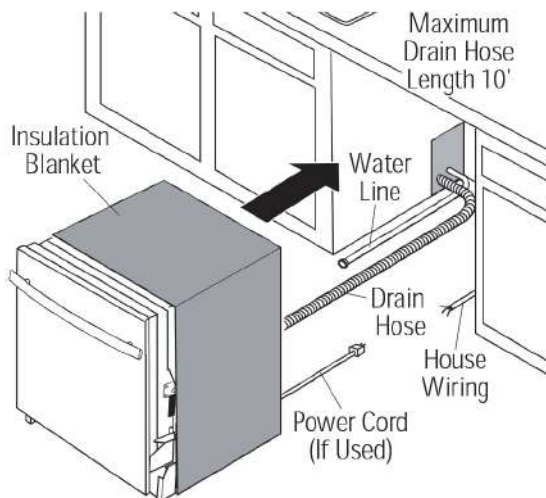
- Slide dishwasher into the opening a few inches at a time.



Do Not Push Against Front Door Panel With Knee. Damage to The Door Panel Will Occur.

STEP 7 INSERT DRAIN HOSE THROUGH CABINET

- Upright the dishwasher and position in front of the opening. Insert drain hose into cabinet wall hole. If a power cord is used, guide the end through a separate hole.



TIP: Position water line and house wiring on the floor to avoid interference with base of dishwasher.

- As you proceed, pull the drain hose through the opening under the sink. Stop pushing when the dishwasher is a few inches forward of adjacent cabinetry.
- Make sure drain hose is not kinked under the dishwasher and there is no interference with the water line and wiring or any other component.

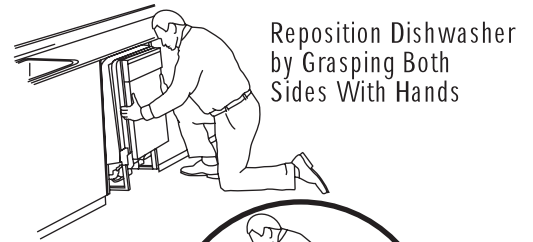
Installation Instructions

STEP 9 POSITION DISHWASHER UNDER COUNTERTOP

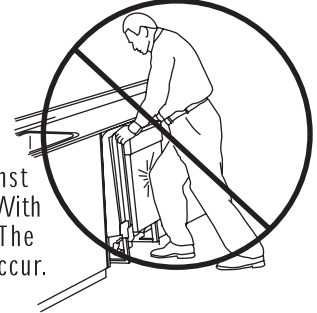
- Check to be sure that wires are secure under the dishwasher and not pinched or in contact with door springs or other dishwasher components.

TIP: Check tub insulation blanket, if equipped. It should be positioned so it is not bunched up or interfering with door springs. Check by opening and closing the door.

- Push dishwasher into cabinet. The front corners of the dishwasher door should be flush with cabinet doors. Be careful not to dent front panel with knees or damage countertop or cabinets with dishwasher parts.



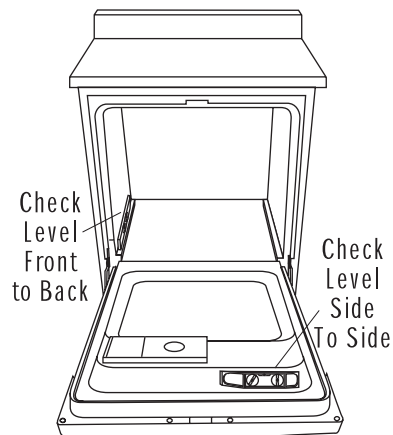
Do Not Push Against Front Door Panel With Knee. Damage to The Door Panel Will Occur.



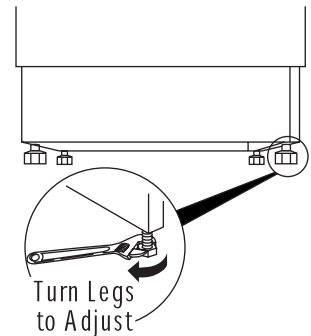
STEP 10 LEVEL DISHWASHER

IMPORTANT - Dishwasher must be level for proper dish rack operation and wash performance.

- Place level on door and rack track inside the tub as shown to check that the dishwasher is level.



- Level the dishwasher by adjusting the four leveling legs individually.



TIP: Pull lower rack out, about halfway. Check to be sure the rack does not roll forward or back into dishwasher. If the rack rolls in either direction, the dishwasher must be leveled again.

- If door hits the tub, the dishwasher is not installed correctly. Adjust leveling legs to align door to tub.

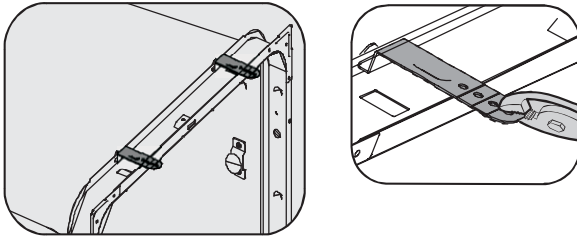
Installation Instructions

STEP 11 SECURE DISHWASHER TO CABINET

Method 1: To install using Top Mount Cabinet Clips.

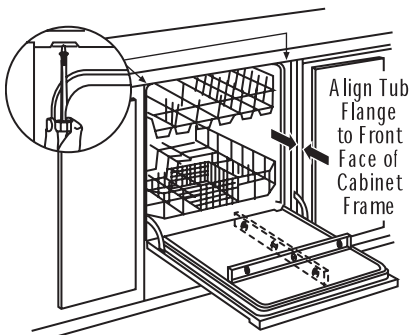
Depending on the depth of cabinet, the Top Mount Clip have a break off point that can be removed if necessary.

NOTE: Install Top Mount Clips before unit is installed into the cabinet. Insert the installation brackets to the front top slots of the dishwasher (See image below)



The dishwasher must be secured to the countertop. Position the dishwasher so that the tub flange aligns with the front face of the cabinet frame.

IMPORTANT: Check to be sure the dishwasher is centered in the opening and there is no interference with adjacent cabinets when opening or closing the door.

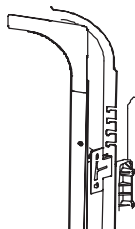


Fasten the dishwasher to the underside of the countertop with the 2 Phillips screws provided.

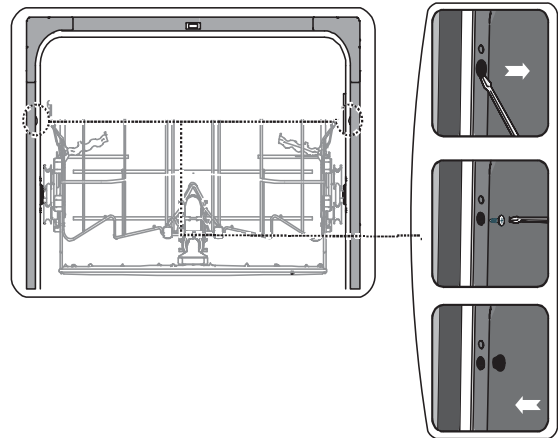
Method 2: To install the Side Mounting Clips.

Depending on space allowed in cabinet the Side Mounting Clips can be installed with the holes for the screw up (preferred method) or as shown in the illustrations below.

NOTE: Install Side Mount Brackets before unit is installed into the cabinet. Insert the installation brackets to the side slot of the dishwasher. (See image below)



Open the door remove the tub cap on both sides of the tub. Install screw through the dishwasher side hole to the wall of cabinet. Reinstall tub cap.

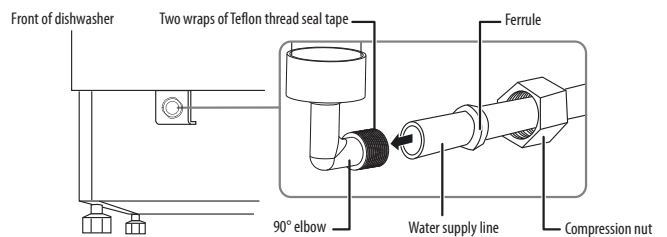


IMPORTANT - Drive screws straight and flush. Protruding screw heads will scratch the top of the control panel and can interfere with door closing.

STEP 12 CONNECT WATER SUPPLY

Connect water supply line to 90° elbow.

- Slide compression nut, then ferrule over end of water line.
- Insert water line into 90° elbow.
- Slide ferrule against elbow and secure with compression nut.



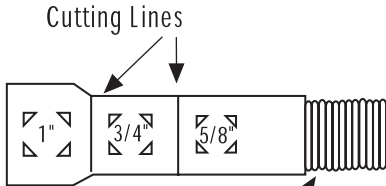
IMPORTANT - Check to be sure that door spring does not rub or contact the fill hose or water supply line. Test by opening and closing the door. Re-route the lines if a rubbing noise or interference occurs.

Installation Instructions

STEP 13 CONNECT DRAIN LINE

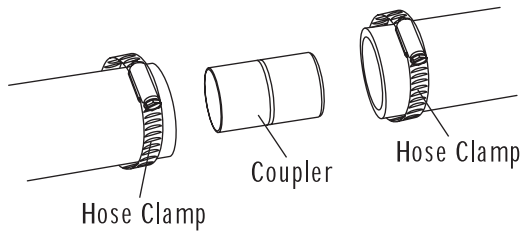
FOLLOW ALL LOCAL CODES AND ORDINANCES.

The drain hose molded end will fit 5/8", 3/4" or 1" diameter connections on the air gap, waste tee or disposer. Cut on the marked line as required for your installation.



IMPORTANT: Do not cut corrugated portion of hose

- If a longer drain hose is required, add up to 42" of length for a total of 10 ft. to the factory installed hose. Use 5/8" or 7/8" inside diameter hose and a coupler to connect the two hose ends. Secure the connection with hose clamps.



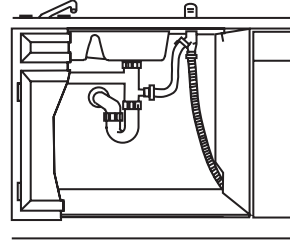
- Secure the drain hose to the air gap, waste tee or disposer with clamps.

NOTE: TOTAL DRAIN HOSE LENGTH MUST NOT EXCEED 10 FEET FOR PROPER DRAIN OPERATION.

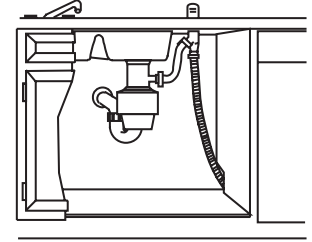
DRAIN LINE INSTALLATION

- Connect drain line to air gap, waste tee or disposer using either previously determined method.

Method 1 – Air gap with waste tee or disposer

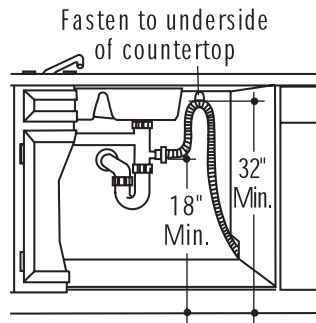


Waste Tee Installation

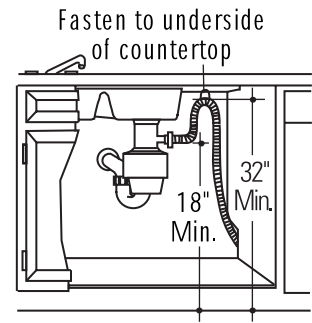


Disposer Installation

Method 2 – High drain loop with waste tee or disposer



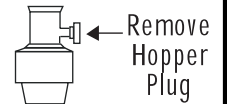
Waste Tee Installation



Disposer Installation

IMPORTANT

– When connecting drain line to disposer, check to be sure that drain plug has been removed. **DISHWASHER WILL NOT DRAIN IF PLUG IS LEFT IN PLACE.**



TIP: Avoid unnecessary service call charges. Always be sure disposer drain plug has been removed before attaching dishwasher drain hose to the disposer.

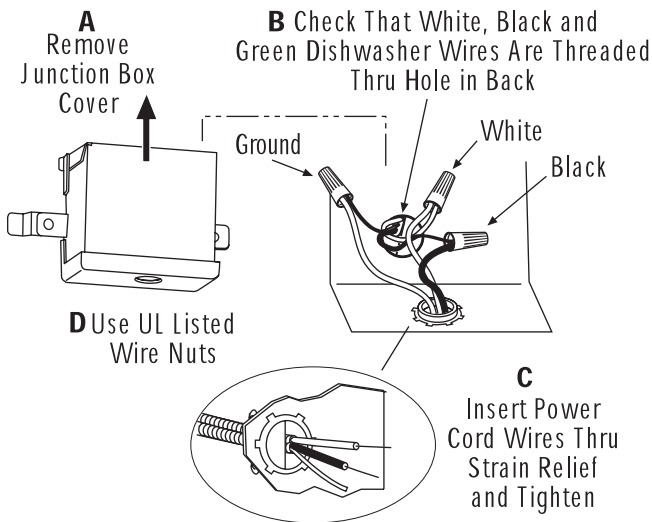
Installation Instructions

STEP 14 CONNECT POWER SUPPLY

Skip this step if equipped with power cord.

Verify that power is turned off at the source.

- Remove junction box cover "A".
- Locate the three dishwasher wires, (white, black and green) with stripped ends. Insert dishwasher wires through the small hole in the junction box "B".
- Secure house wiring to the bottom of the junction box with a strain relief "C".
- Use wire nuts to connect incoming ground to green, white to white and black to black "D".
- Replace junction box cover "E". Check to be sure that wires are not pinched under the cover.



E. Replace Junction Box Cover



WARNING

If house wiring is not 2-wire with ground, a ground must be provided by the installer. When house wiring is aluminum, be sure to use cUL/UL Listed anti-oxidant compound and aluminum-to-copper connectors

STEP 15 PRE-TEST CHECKLIST

Review this list after installing your dishwasher to avoid charges for a service call that is not covered by your warranty.

- Check to be sure power is OFF.
- Open door and remove all foam and paper packaging.
- Locate the Owner's Manual in the literature package.
- Read the Owner's Manual for operating instructions.
- Check door opening and closing. If door does not open and close freely or tends to fall, check spring adjustments. See Step 1.
- Check to be sure that wiring is secure under the dishwasher, not pinched or in contact with door springs or other components. See Step 9.
- Check door alignment with tub. If door hits tub, level dishwasher. See Step 10.
- Pull lower rack out, about half way. Check to be sure it does not roll back or forward on the door. If the rack moves, adjust leveling legs. See Step 10.
- Check door alignment with cabinet. If door hits cabinet, reposition or relevel dishwasher. See Step 10.
- Verify water supply and drain lines are not kinked or in contact with other components. Contact with motor or dishwasher frame could cause noise. See Step 8.
- Turn on the sink hot water faucet and verify water temperature. Incoming water temperature must be between 120°F and 150°F. A minimum of 120°F temperature is required for best wash performance. See "Prepare Hot Water Line," page 5.
- Add 2 litres of water to the bottom of the dishwasher to lubricate the pump seal.
- Turn on water supply. Check for leaks. Tighten connections if needed.
- Remove protective film if present from the control panel and door.

Installation Instructions

STEP 16 DISHWASHER WET TEST

- Turn on power supply (or plug power cord into outlet, if equipped).
- Turn on your dishwasher (please refer to the Owner's Manual for instructions).
- Close door, select RINSE ONLY cycle and press START/CANCEL.
- Check to be sure that water enters the dishwasher. If water does not enter the dishwasher, check to be sure that water and power are turned on.
- Check for leaks under the dishwasher. If a leak is found, turn power supply off, then tighten connections. Restore power after leak is corrected.
- Check for leaks around the door. A leak around the door could be caused by door rubbing or hitting against adjacent cabinetry. Reposition the dishwasher if necessary. See Step 9.
- When the dishwasher is draining, check the drain lines. If leaks are found, turn power off at the breaker and correct plumbing as necessary. Restore power after corrections are made. See Step 12.
- Open dishwasher door and make sure most of the water has drained. If not, check that disposer plug has been removed and/or air gap is not plugged. See Step 13. Also check drain line for kinking.
- Run the dishwasher through another fill and drain cycle. Check for leaks and correct if required.

STEP 17 REPLACE TOEKICK

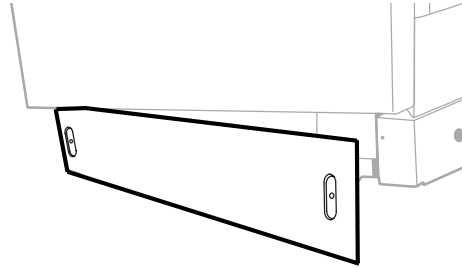


Figure Z

- Place 1-piece toekick against the legs of the dishwasher. The slots should align with toekick bracket screw holes. Allow the toekick to touch the floor. Install the toekick screws.

STEP 18 LITERATURE

Be sure to leave complete literature package and installation instructions with consumer.

Instruction d'installation

Modèle : WQP12-6502 (FDWBI8067-24-24S)



AVANT DE COMMENCER

Lisez attentivement et intégralement ces instructions.

IMPORTANT - Respectez tous les codes et règlements en vigueur.

• **Note à l'installateur** - Assurez-vous de laisser ces instructions à disposition du consommateur et de l'inspecteur local.

• **Note au consommateur** - Gardez ces instructions avec votre manuel d'utilisation pour référence future.

• **Niveau de compétence** - L'installation de ce lave-vaisselle nécessite des compétences mécaniques et électriques de base. L'installation correcte est de la responsabilité de l'installateur. Les pannes de produit dues à une installation incorrecte ne sont pas couvertes par la garantie des appareils électroménagers.

• **Temps de réalisation - de 1 à 3 heures.** Les nouvelles installations prennent plus de temps que les installations de remplacement.

IMPORTANT - Le lave-vaisselle **DOIT** être installé de manière à permettre un retrait futur de l'enceinte en cas de besoin de service.

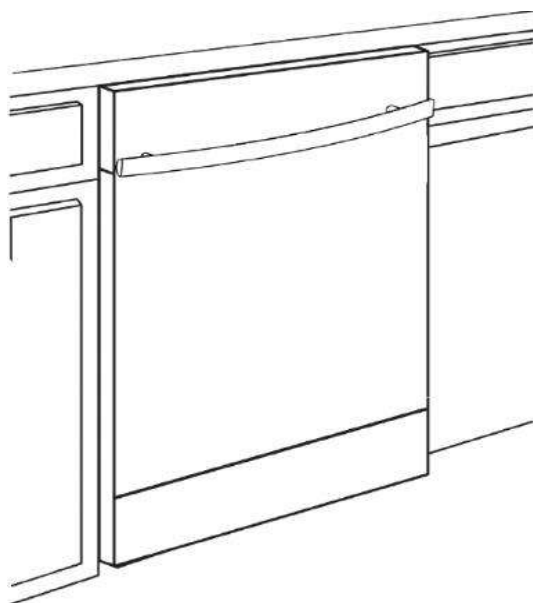
POUR VOTRE SÉCURITÉ

Lisez et respectez toutes les précautions et les avertissements indiqués tout au long de ces instructions. Pendant l'installation décrite dans ce livret, il convient de porter des gants, des lunettes de sécurité ou des lunettes de protection.



AVERTISSEMENT

Pour réduire le risque de choc électrique, d'incendie ou de blessure, l'installateur doit s'assurer que le lave-vaisselle est complètement encastré au moment de l'installation.



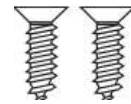
LISEZ ATTENTIVEMENT. CONSERVEZ CES INSTRUCTIONS.

Si vous rencontrez un problème d'installation, contactez notre revendeur ou installateur. Vous êtes responsable de fournir des installations électriques, d'échappement et autres installations de connexion adéquates.

Préparation de l'installation

PIÈCES FOURNIES

- Quatre vis à tête plate pour bois pour fixer le lave-vaisselle sous le dessus de comptoir (dans le paquet de littérature).
- Collier de serrage de type vis et un tuyau de vidange.
- 2 clips de montage supérieurs.



4 vis pour bois



2 clips de montage



Collier de serrage de type vis



Tuyau de vidange

MATÉRIAUX DONT VOUS AUREZ BESOIN

- Bague de compression, écrou de compression et coude à 90° (filetage externe 3/4" NPT sur une extrémité, l'autre extrémité dimensionnée pour s'adapter à l'alimentation en eau)
- Ruban de téflon
- Écrous de câblage homologués UL (3)

Autres pièces nécessaires (non fournies)



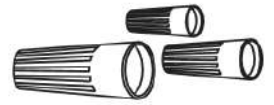
Raccord à 90° (3/4"). Extrémité doit être dimensionnée pour la conduite d'alimentation en eau.



Robinet d'arrêt manuel



Ruban de téflon



Écrous de câblage

Matériaux pour les nouvelles installations uniquement :

- Un évent d'air pour le tuyau de vidange, si nécessaire
- Un té de raccordement pour la plomberie de la maison, si applicable
- Un câble électrique ou une fiche d'alimentation, si applicable
- Des colliers de serrage de type vis
- Un dispositif de protection pour la connexion électrique
- Un robinet d'arrêt manuel
- Une conduite d'eau en cuivre d'un minimum de 3/8".
- Coupleur pour prolonger la ligne de vidange, si applicable.



Té de raccordement



Câble électrique (ou fiche d'alimentation)



Conduite d'eau chaude



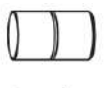
Évent d'air



Colliers de serrage de type vis



Dispositif de protection électrique



Coupleur

OUTILS DONT VOUS AUREZ BESOIN:

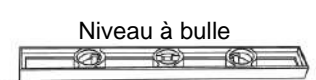
- Tournevis cruciforme
- Clé à écrou de 5/16" et 1/4"
- Clé à molette de 6"
- Niveau à bulle
- Équerre de charpentier
- Ruban à mesurer
- Lunettes de sécurité
- Lampe de poche
- Seau pour récupérer l'eau lors du rinçage de la conduite
- Gants



Tournevis cruciforme



Clé à écrou de 1/4" et 5/16"



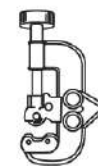
Niveau à bulle



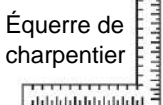
Lampe de poche



Clé à molette de 6"



Coupe-tube



Équerre de charpentier



Sceau



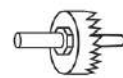
Lunette de sécurité



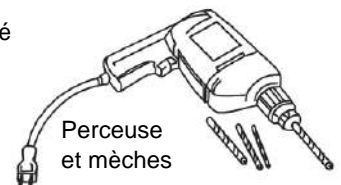
Ruban à mesurer



Gants



Coffret de scie cloche

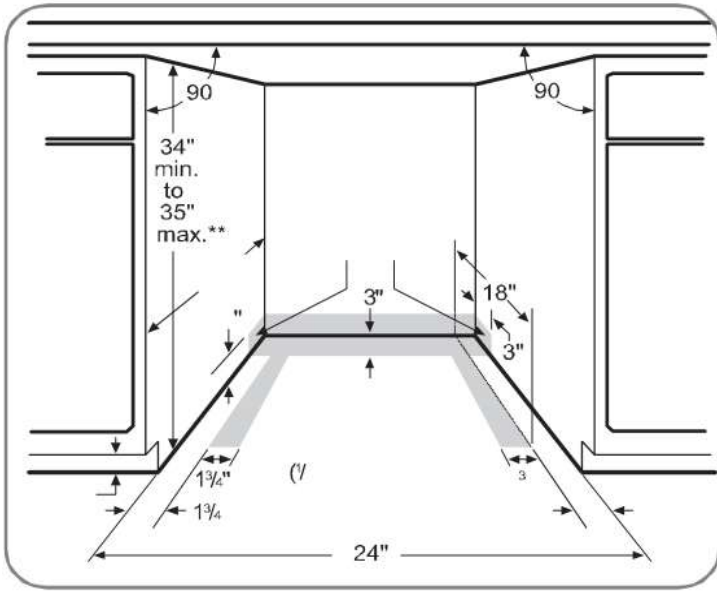


Perceuse et mèches

Pour les nouvelles installations uniquement :

- Coupe-tube
- Perceuse et mèches appropriées
- Coffret de scie cloche.

Préparation de l'installation



- L'ouverture du cabinet brut doit avoir une profondeur d'au moins 24 pouces. L'ouverture doit avoir une hauteur maximale de 35 pouces.

EXIGENCES DE DRAINAGE

- Suivre les codes et ordonnances locaux
- Ne pas dépasser une distance de 10 pieds pour la vidange.
- Ne pas connecter les lignes de vidange d'autres appareils au tuyau de vidange du lave-vaisselle.
- Le lave-vaisselle doit être connecté à une canalisation d'évacuation avec un écart d'air (non fourni) ou une boucle de vidange de hauteurs minimum de 32 pouces, selon les codes et ordonnances locaux, pour éviter les reflux dans le lave-vaisselle.
- Le séparateur d'air doit être utilisé si la connexion au té de vidange ou au broyeur est inférieure à 18 pouces au-dessus du sol pour éviter l'effet de siphonage.

PRÉPARATION DU DRAINAGE

Le type d'installation de drainage dépend de la réponse aux questions suivantes :

- Les codes ou ordonnances locaux exigent-ils un écart d'air ?
- La connexion au té de vidange ou au broyeur sera-t-elle inférieure à 18 pouces au-dessus du sol ?
- L'installation aura-t-elle une boucle de vidange inférieure à 32 pouces au-dessus du sol ?

Si la réponse à **N'IMPORTE** laquelle des 3 questions ci-dessus est **OUI**, la **méthode 1 DOIT être utilisée**. Sinon, la méthode 1 ou la méthode 2 peut être utilisée. Figure C ou Figure D.

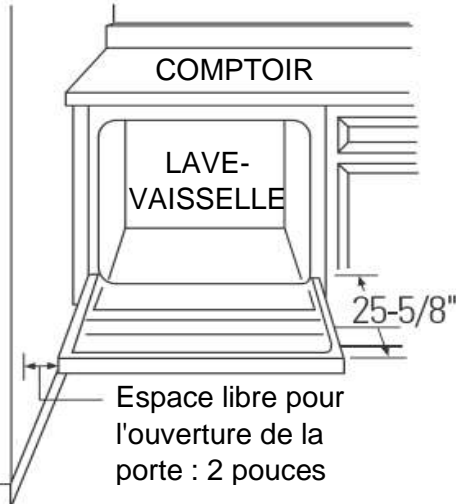
ATTENTION : Un séparateur d'air **DOIT ÊTRE**

UTILISÉ si le tuyau de vidange est connecté à un té de vidange ou à un broyeur inférieur à 18 pouces au-dessus du sol.

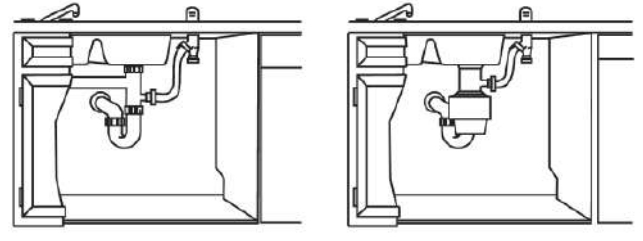
Ne pas fournir une hauteur de connexion de vidange appropriée avec un écart d'air ou une boucle de vidange de hauteurs minimum de 32 pouces entraînera un drainage incorrect du lave-vaisselle.

- Le lave-vaisselle doit être installé de manière à ce que le tuyau de vidange ne dépasse pas 10 pieds de longueur pour un drainage correct.
- Le lave-vaisselle doit être entièrement clos sur le dessus, les côtés et l'arrière et ne doit supporter aucune partie de l'enceinte.

ESPACES LIBRES : Lorsqu'il est installé dans un coin, laissez un espace libre minimal de 2 pouces entre le lave-vaisselle et l'armoire adjacente, le mur ou d'autres appareils électroménagers. Laissez un espace libre minimal de 25-5/8 pouces à l'avant du lave-vaisselle pour l'ouverture de la porte. Voir figure B.

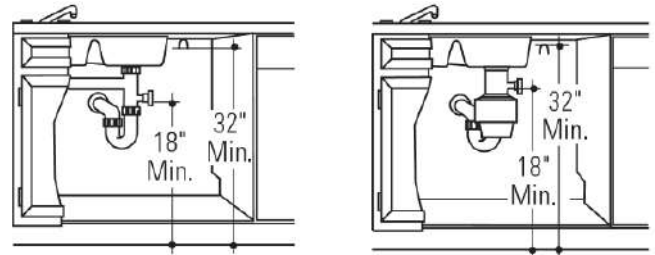


Méthode 1 – Séparateur d'air avec «T» de vidange ou broyeur



Méthode 2 - Vidange de hauteurs minimum de 32" avec «T» de vidange ou broyeur

Fournir une méthode pour fixer le tuyau de vidange sous le plan de travail.



Installer le té de vidange ou le broyeur et l'écart d'air conformément aux instructions du fabricant.

PRÉPARATION DU MEUBLE

Percer un trou d'un diamètre de 1-1/2 pouces dans la paroi du meuble dans la zone ombrée indiquée dans la figure A pour la connexion du tuyau de vidange. Le trou doit être lisse, sans bords tranchants.

Préparation de l'installation

PRÉPARATION DU CÂBLAGE ÉLECTRIQUE



AVERTISSEMENT

POUR LA SÉCURITÉ PERSONNELLE : Retirez le fusible ou ouvrez le disjoncteur avant de commencer l'installation. N'utilisez pas de rallonge ou d'adaptateur avec cet appareil.

Exigences électriques

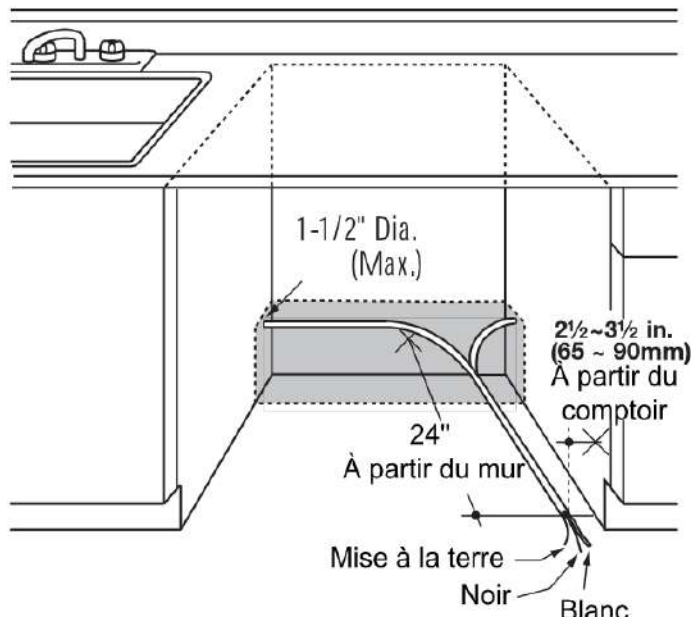
- Cet appareil doit être alimenté en 120V, 60 Hz et être connecté à un circuit individuel correctement mis à la terre, protégé par un disjoncteur de 15 ou 20 ampères ou un fusible à retardement.
- Le câblage doit être composé de 2 fils avec une mise à la terre.
- Si l'alimentation électrique ne répond pas aux exigences ci-dessus, appelez un électricien agréé avant de continuer.

Instructions de mise à la terre - Câble direct

Cet appareil doit être connecté à un système de câblage permanent en métal mis à la terre, ou un conducteur de mise à la terre d'équipement doit être installé avec les conducteurs de circuit et être connecté à la borne de mise à la terre ou au fil de l'appareil.

Instructions de mise à la terre - Modèles avec cordon d'alimentation

Cet appareil doit être mis à la terre. En cas de dysfonctionnement ou de panne, la mise à la terre réduira le risque de choc électrique en fournissant un chemin de moindre résistance pour le courant électrique. La fiche doit être branchée dans une prise appropriée installée et mise à la terre conformément aux codes et règlements locaux.



Préparation de l'armoire et du cheminement des fils

- Le câblage peut entrer dans l'ouverture depuis le côté, l'arrière ou l'avant dans la zone ombrée.
- Découpez un trou d'un diamètre maximal de 1-1/2" pour faire passer le câble électrique. Le trou doit être exempt de bords tranchants. Si la paroi de l'armoire est en métal, le bord du trou doit être recouvert d'un passe-fil.
- Les connexions par câble direct peuvent passer par le même trou que le tuyau de vidange et la conduite d'eau chaude, si cela est pratique. Si la paroi de l'armoire est en métal, le bord du trou doit être recouvert d'un passe-fil. REMARQUE : Les cordons d'alimentation avec fiche doivent passer par un trou séparé.

Connexion électrique au lave-vaisselle

La connexion électrique se trouve à l'avant droit du lave-vaisselle.

- Pour les connexions directes par câble, le câble doit être acheminé comme indiqué sur la figure E. Le câble doit s'étendre au minimum de 24" du mur arrière.
- Pour les connexions par cordon d'alimentation, installez une prise de courant à mise à la terre à 3 broches. La prise d'alimentation pour l'appareil doit être installée dans une armoire ou sur un mur adjacent à l'espace sous le comptoir où l'appareil doit être installé.



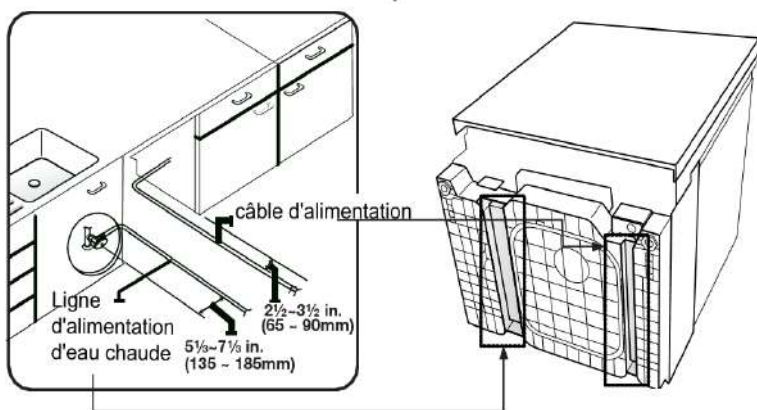
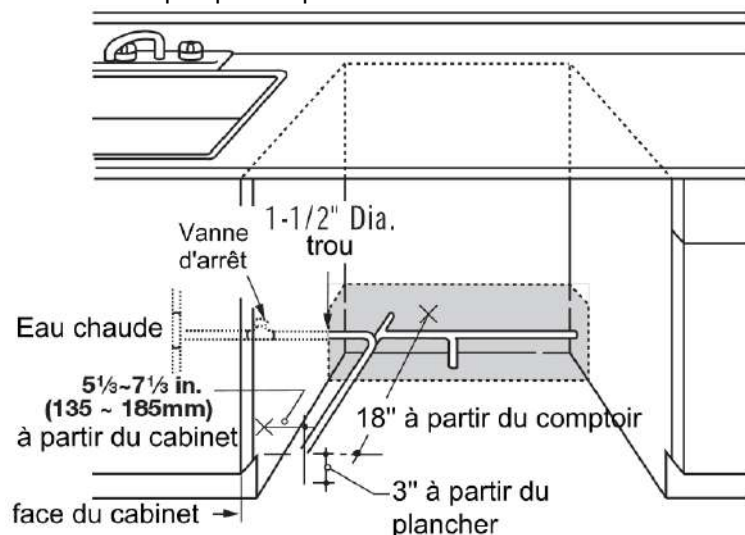
AVERTISSEMENT

La connexion incorrecte du conducteur de mise à la terre de l'équipement peut entraîner un risque de choc électrique. Consultez un électricien qualifié ou un représentant du service si vous avez des doutes sur la mise à la terre appropriée de l'appareil.

Instruction d'installation

PRÉPARER LA CONDUITE D'EAU CHAUDE

- La conduite peut entrer par le côté gauche, droit, arrière ou le plancher comme indiqué dans la zone ombragée de la figure F.
 - La conduite peut passer par le même trou que le câble électrique et le tuyau de vidange. Ou, couper un trou supplémentaire de 1-1/2" de diamètre pour accommoder la conduite d'eau.
- Si un cordon d'alimentation avec prise est utilisé, la conduite d'eau ne doit pas passer par le trou du cordon d'alimentation.



Raccordement de la conduite d'eau

- Fermez l'arrivée d'eau.
- Installez une vanne d'arrêt manuelle dans un endroit accessible, comme sous l'évier. (Optionnel, mais fortement recommandé et peut être requis par les codes locaux.)
- Le raccord d'eau est situé sur le côté gauche du lave-vaisselle.
- Installez la conduite d'entrée d'eau chaude, en utilisant un tube en cuivre d'un diamètre d'au moins 3/8". Routez la conduite comme indiqué dans la figure F et prolongez-la vers l'avant d'au moins 18" du mur arrière.
- Réglez le chauffe-eau pour une température de 120°F à 150°F.
- Rincez la conduite d'eau pour éliminer les débris.
- La pression de la conduite d'eau chaude doit être de 20 à 120 PSI.



ATTENTION :

Ouvrir la porte fera basculer le lave-vaisselle. **Ne pas ouvrir la porte avant d'être prêt à installer le lave-vaisselle.** Si nécessaire, maintenez le haut du lave-vaisselle fermement d'une main et tenez la porte de l'autre main.

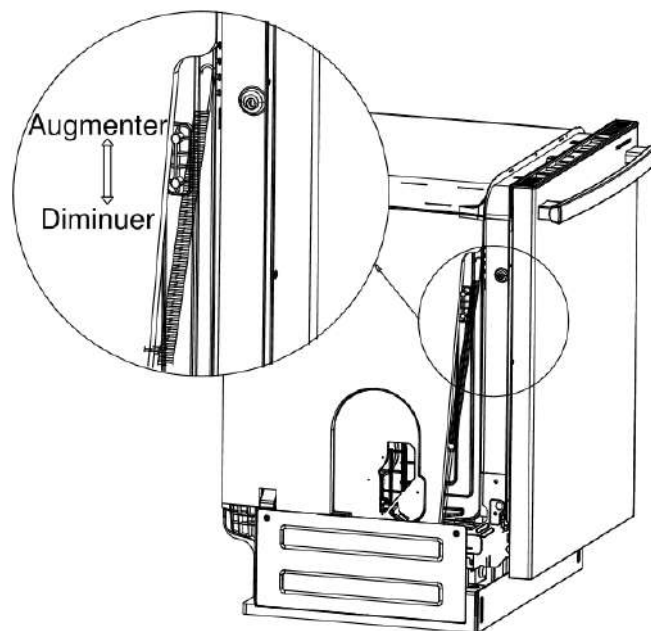


AVANT DE COMMENCER

Localisez et mettez de côté le paquet contenant 2 vis de montage Phillips pour le comptoir et 2 vis supplémentaires pour le socle (situées dans le paquet de littérature).

ÉTAPE 1 VÉRIFIER L'ÉQUILIBRE DE LA PORTE

Pour vérifier l'équilibre de la porte, tenez fermement le haut du lave-vaisselle.

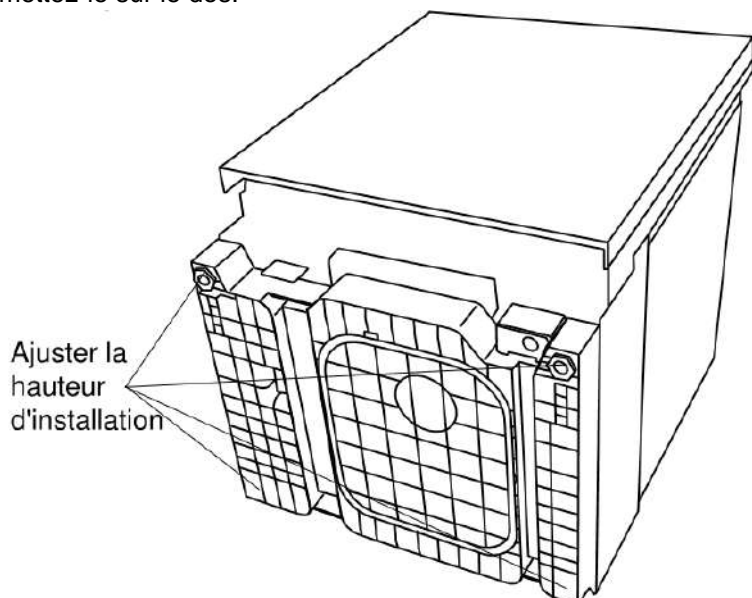


- Ouvrez lentement la porte. Si la porte tombe lorsqu'elle est relâchée, augmentez la tension du ressort. Si la porte se ferme lorsqu'elle est relâchée, diminuez la tension.
- Ajustez les deux ressorts de porte à la même tension.
- Continuez à déplacer le pivot de ressort jusqu'à ce que la porte soit équilibrée.

Instruction d'installation

ÉTAPE 2 AJUSTER LES PIEDS DE NIVELLEMENT

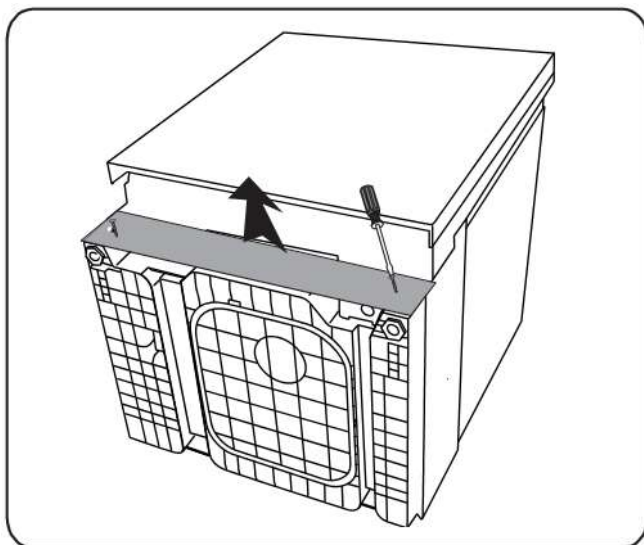
- Approchez le lave-vaisselle de l'emplacement d'installation et mettez-le sur le dos.



- Mesurez la hauteur d'installation et la hauteur du lave-vaisselle.
- Sortez les pieds de nivellement de la base du lave-vaisselle, à une hauteur inférieure de 1/4" à la hauteur d'installation.

ÉTAPE 3 RETIRER LE PANNEAU D'ACCÈS AU PIED

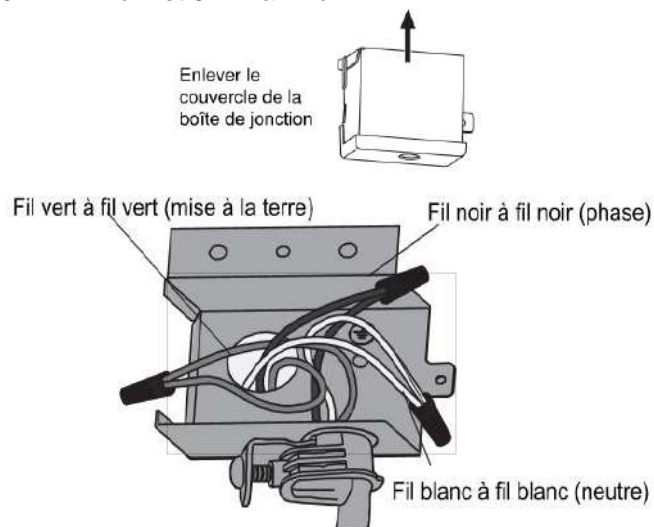
- Retirez les 2 vis de la plinthe. Enlevez la plinthe en une seule pièce.



ÉTAPE 4 INSTALLER LE CORDON D'ALIMENTATION

Sauter cette étape si le lave-vaisselle est branché directement. Utilisez le kit de cordon d'alimentation WX09X70910 disponible à l'achat chez un revendeur de pièces autorisé. Le cordon d'alimentation et les connexions doivent être conformes aux codes et règlements locaux.

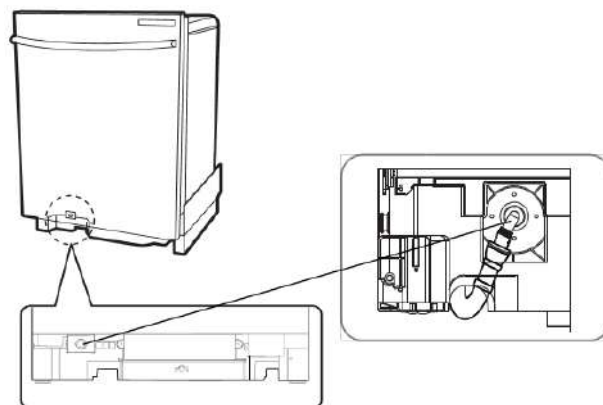
- La longueur recommandée du cordon d'alimentation est de 54" minimum et 64" maximum.



- Connectez le fil blanc (ou rainuré) du cordon d'alimentation entrant au fil blanc du lave-vaisselle, le fil noir (ou lisse) au fil noir et le fil de terre au fil vert du lave-vaisselle. Utilisez des écrous de fil de taille appropriée approuvés cUL/UL.
- Remplacez le couvercle de la boîte de jonction. Assurez-vous que les fils ne sont pas pincés sous le couvercle.

ÉTAPE 5 INSTALLER LE COUDE À 90 DEGRÉS

- Installez un coude à 90 degrés sur la vanne d'eau.

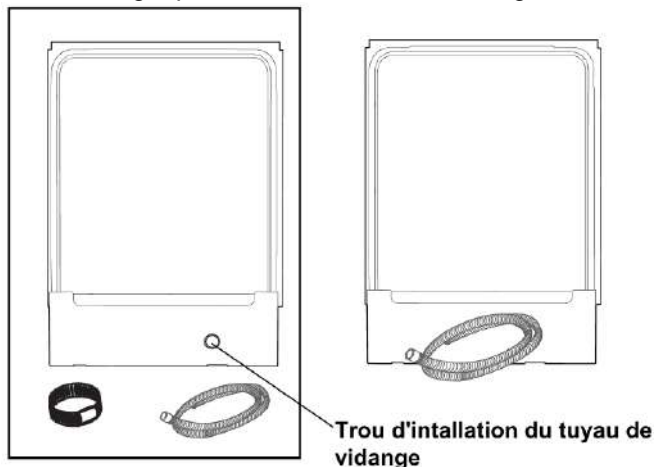


- Ne serrez pas trop le coude à 90 degrés, le support de vanne d'eau pourrait se plier ou l'ajustement de la vanne d'eau pourrait se casser.
- Positionnez l'extrémité du coude vers le bas à droite du lave-vaisselle.

Instruction d'installation

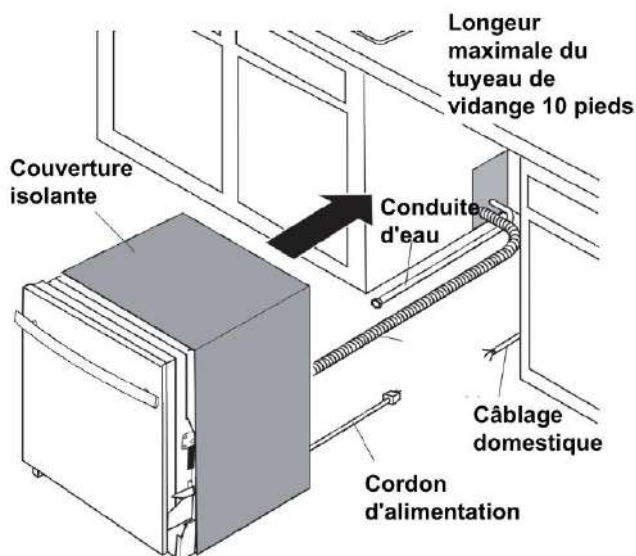
ÉTAPE 6 INSTALLER LE TUYAU DE VIDANGE

- Installer les colliers de serrage à vis sur le tuyau de vidange.
- Installer le tuyau de vidange sur le raccord d'installation du tuyau de vidange, puis serrer le collier de serrage à vis.



ÉTAPE 7 INSÉRER LE TUYAU DE VIDANGE DANS L'ARMATURE

- Redresser le lave-vaisselle et le positionner devant l'ouverture. Insérer le tuyau de vidange dans le trou du mur de l'armoire. Si un cordon d'alimentation est utilisé, guider l'extrémité à travers un trou séparé.



ASTUCE : Positionner la ligne d'eau et le câblage sur le sol pour éviter les interférences avec la base du lave-vaisselle.

ÉTAPE 8 FAIRE GLISSER LE LAVE-VAISSELLE PARTIELLEMENT DANS L'ARMATURE

NE PAS POUSSER CONTRE LE PANNEAU AVANT AVEC LES GENOUX. CELA CAUSERA DES DOMMAGES.

- Faire glisser le lave-vaisselle dans l'ouverture quelques pouces à la fois.



- Au fur et à mesure, tirer le tuyau de vidange à travers l'ouverture sous l'évier. Arrêter de pousser lorsque le lave-vaisselle est à quelques pouces de la cuisine adjacente.
- S'assurer que le tuyau de vidange n'est pas plié sous le lave-vaisselle et qu'il n'y a aucune interférence avec la ligne d'eau, le câblage ou tout autre composant.

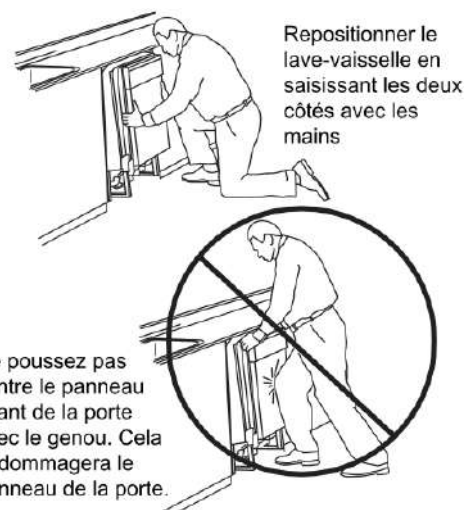
Instruction d'installation

ÉTAPE 9 POSITIONNER LE LAVE-VAISSELLE SOUS LE PLAN DE TRAVAIL

• Vérifiez que les fils sont fixés sous le lave-vaisselle et ne sont pas pincés ou en contact avec les ressorts de la porte ou d'autres composants du lave-vaisselle.

ASTUCE: Vérifiez la couverture d'isolation de la cuve, si équipée. Elle doit être positionnée de manière à ne pas être amassée ou interférer avec les ressorts de la porte. Vérifiez en ouvrant et en fermant la porte.

• Poussez le lave-vaisselle dans le meuble. Les coins avant de la porte du lave-vaisselle doivent être alignés avec les portes du meuble. Veillez à ne pas enfoncer la porte avec les genoux ou endommager le plan de travail ou les meubles avec des pièces de lave-vaisselle.



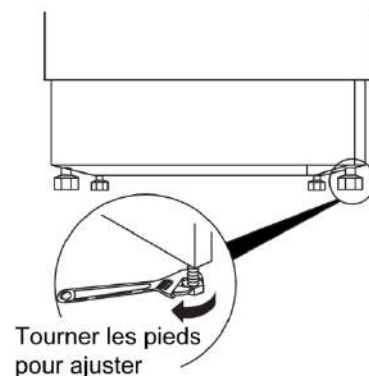
ÉTAPE 10 METTRE LE LAVE-VAISSELLE DE NIVEAU

IMPORTANT - Le lave-vaisselle doit être de niveau pour un bon fonctionnement du panier à vaisselle et une bonne performance de lavage.

• Placez le niveau sur la porte et sur la glissière de support à l'intérieur de la cuve, comme indiqué, pour vérifier que le lave-vaisselle est à niveau.



- Mettez le lave-vaisselle à niveau en ajustant les quatre pieds de nivellement individuellement.



ASTUCE: Sortez le panier inférieur, environ à mi-chemin. Vérifiez que le panier ne roule pas vers l'avant ou vers l'arrière dans le lave-vaisselle. Si le panier roule dans l'une ou l'autre direction, le lave-vaisselle doit être remis à niveau.

• Si la porte touche la cuve, le lave-vaisselle n'est pas installé correctement. Ajustez les pieds de nivellement pour aligner la porte avec la cuve.

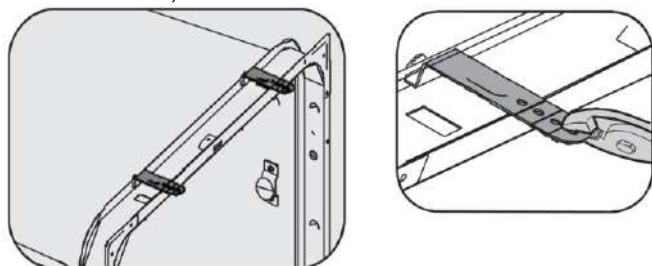
Instruction d'installation

ÉTAPE 11 FIXEZ LE LAVE-VAISSELLE AU MEUBLE

Méthode 1: Installer à l'aide des clips de montage supérieurs.

En fonction de la profondeur du meuble, le clip de montage supérieur à un point de rupture qui peut être enlevé si nécessaire.

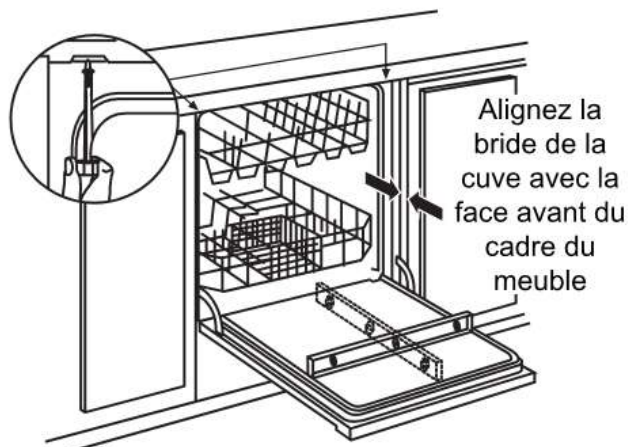
REMARQUE: Installer les clips de montage supérieurs avant que l'unité ne soit installée dans le meuble. Insérez les supports d'installation dans les fentes supérieures avant du lave-vaisselle (voir l'image ci-dessous).



Le lave-vaisselle doit être fixé au comptoir.

Positionnez le lave-vaisselle de sorte que la bride de la cuve soit alignée avec la face avant du cadre du meuble.

IMPORTANT: Vérifiez que le lave-vaisselle est centré dans l'ouverture et qu'il n'y a pas d'interférence avec les armoires adjacentes lors de l'ouverture ou de la fermeture de la porte.

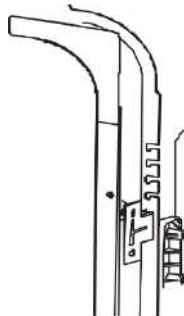


Fixez le lave-vaisselle au-dessous du comptoir avec les 2 vis Phillips fournies.

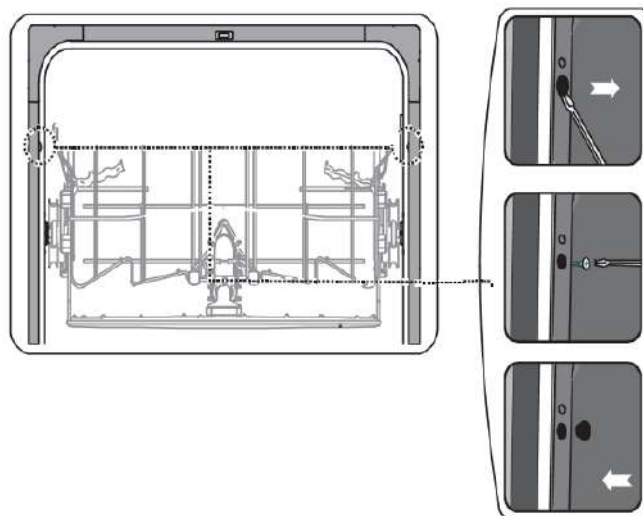
Méthode 2: Installer les clips de montage latéraux.

En fonction de l'espace disponible dans l'armoire, les clips de montage latéraux peuvent être installés avec les trous pour la vis vers le haut (méthode préférée) ou comme indiqué dans les illustrations ci-dessous.

REMARQUE: Installer les supports de montage latéraux avant que l'unité ne soit installée dans le meuble. Insérez les supports d'installation dans la fente latérale du lave-vaisselle (voir l'image ci-dessous).



Ouvrez la porte, retirez le capuchon de la cuve des deux côtés de la cuve. Installez la vis à travers le trou latéral du lave-vaisselle jusqu'au mur de l'armoire. Réinstallez le capuchon de la cuve.

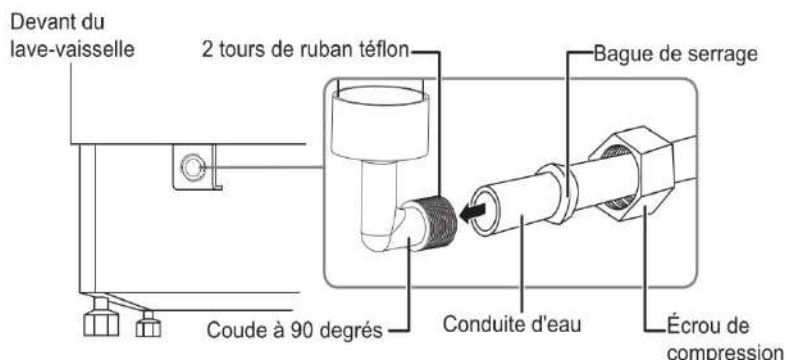


IMPORTANT - Vissez les vis droites et à fleur. Les têtes de vis saillantes rayeront le haut du panneau de commande et peuvent gêner la fermeture de la porte.

ÉTAPE 12 BRANCHEMENT DE L'ALIMENTATION EN EAU

Raccordez la conduite d'eau à l'adaptateur à 90 degrés.

- Faites glisser l'écrou de compression, puis la bague sur l'extrémité de la conduite d'eau.
- Insérez la conduite d'eau dans l'adaptateur à 90 degrés.
- Faites glisser la bague contre l'adaptateur et serrez-la avec l'écrou de compression.



IMPORTANT - Vérifiez que le ressort de la porte ne frotte pas ou ne touche pas le tuyau de remplissage ou la conduite d'alimentation en eau. Testez en ouvrant et en fermant la porte. Réorientez les conduites si un bruit de frottement ou une interférence se produit.

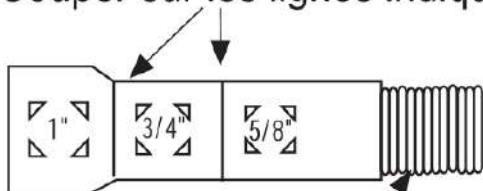
Instruction d'installation

ÉTAPE 13 CONNECTEZ LA LIGNE DE VIDANGE

SUIVEZ TOUTES LES RÉGLEMENTATIONS LOCALES.

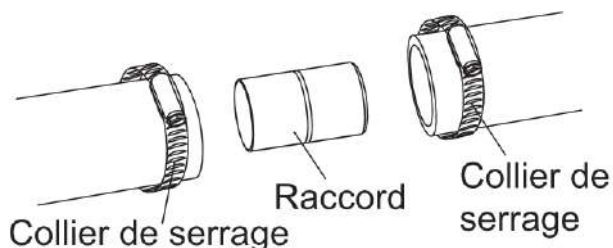
L'extrémité moulée du tuyau de vidange convient aux raccords de diamètre 5/8", 3/4" ou 1" sur le séparateur d'air, le «T» de vidange ou le broyeur. Coupez sur la ligne marquée comme requis pour votre installation.

Couper sur les lignes indiquées



IMPORTANT: Ne pas couper la partie ondulée du tuyau

- Si un tuyau de vidange plus long est requis, ajoutez jusqu'à 42" de longueur pour un total de 10 pieds au tuyau installé en usine. Utilisez un tuyau de diamètre intérieur de 5/8" ou 7/8" et un raccord pour connecter les deux extrémités du tuyau. Fixez la connexion avec des colliers de serrage.



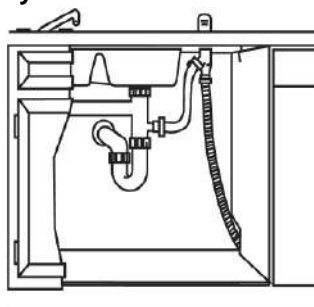
- Fixez le tuyau de vidange au séparateur d'air, au «T» de vidange ou au broyeur avec des colliers de serrage.

REMARQUE: LA LONGUEUR TOTALE DU TUYAU DE VIDANGE NE DOIT PAS DÉPASSER 10 PIEDS POUR UN FONCTIONNEMENT DE VIDANGE CORRECT.

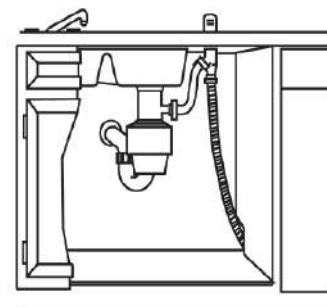
INSTALLATION DE LA LIGNE DE VIDANGE

- Connectez la ligne de vidange au trou d'air, au T de déchets ou au broyeur en utilisant la méthode précédemment déterminée.

Méthode 1 - Séparateur d'air avec «T» de vidange ou broyeur



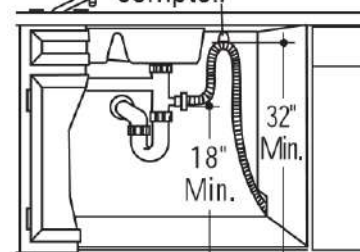
Installation «T» de vidange



Installation avec broyeur

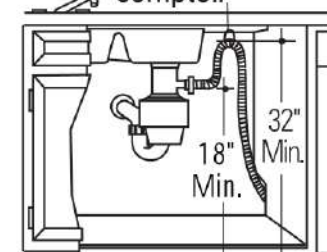
Méthode 2 - Boucle de vidange haute avec «T» de vidange ou broyeur

Fixer sous le dessous du comptoir



Installation «T» de vidange

Fixer sous le dessous du comptoir



Installation avec broyeur

IMPORTANT

- Lors de la connexion de la ligne de vidange au broyeur, vérifiez que le bouchon de vidange a été retiré.

LE LAVE-VAISSELLE NE SE VIDANGERA PAS SI LE BOUCHON EST LAISSÉ EN PLACE.



CONSEIL: Évitez des frais de service inutiles. Assurez-vous toujours que le bouchon de vidange du broyeur a été retiré avant de fixer le tuyau de vidange du lave-vaisselle au broyeur.

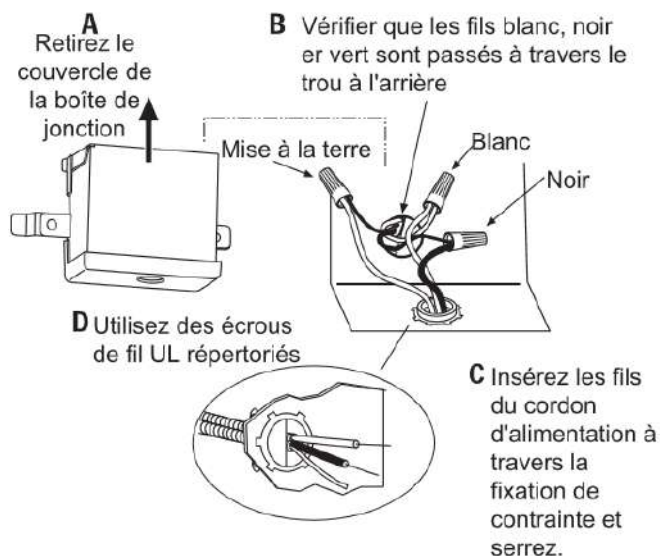
Instruction d'installation

ÉTAPE 14 BRANCHEMENT DE L'ALIMENTATION ÉLECTRIQUE

Ignorez cette étape si votre lave-vaisselle est équipé d'un cordon d'alimentation.

Vérifiez que l'alimentation électrique est coupée à la source.

- Retirez le couvercle de la boîte de jonction "A".
- Localisez les trois fils du lave-vaisselle (blanc, noir et vert) avec les extrémités dénudées. Insérez les fils du lave-vaisselle à travers le petit trou dans la boîte de jonction "B".
- Fixez le câblage de la maison sous la boîte de jonction avec un dispositif de retenue "C".
- Utilisez des connecteurs de fil pour connecter la terre entrante au fil vert, le fil blanc au fil blanc et le fil noir au fil noir "D".
- Remplacez le couvercle de la boîte de jonction "E". Vérifiez que les fils ne sont pas pincés sous le couvercle.



E Remplacer le couvercle de la boîte de jonction



AVERTISSEMENT

Si le câblage de la maison n'est pas un câblage à 2 fils avec mise à la terre, une mise à la terre doit être fournie par l'installateur. Lorsque le câblage de la maison est en aluminium, assurez-vous d'utiliser un composé anti-oxydant homologué cUL/UL et des connecteurs en aluminium et en cuivre.

ÉTAPE 15 LISTE DE CONTRÔLE DE PRÉ-TEST

Examinez cette liste après l'installation de votre lave-vaisselle pour éviter des frais pour un appel de service qui n'est pas couvert par votre garantie.

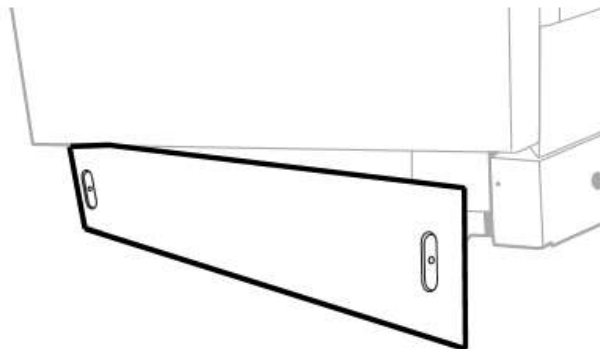
- Vérifiez que l'alimentation électrique est COUPÉE.
- Ouvrez la porte et retirez tous les emballages en mousse et en papier.
- Localisez le manuel du propriétaire dans le paquet de documentation.
- Lisez le manuel du propriétaire pour les instructions d'utilisation.
- Vérifiez l'ouverture et la fermeture de la porte. Si la porte ne s'ouvre pas et ne se ferme pas facilement ou a tendance à tomber, vérifiez les réglages du ressort. Voir l'étape 1.
- Vérifiez que le câblage est fixé sous le lave-vaisselle, non pincé ou en contact avec les ressorts de porte ou d'autres composants. Voir l'étape 9.
- Vérifiez l'alignement de la porte avec la cuve. Si la porte heurte la cuve, mettez le lave-vaisselle à niveau. Voir l'étape 10.
- Tirez le panier inférieur à mi-hauteur. Vérifiez qu'il ne recule pas et qu'il n'avance pas sur la porte.
- Si le panier bouge, ajustez les pieds de nivellement. Voir l'étape 10.
- Vérifiez l'alignement de la porte avec le meuble. Si la porte heurte le meuble, repositionnez ou remettez le lave-vaisselle à niveau. Voir l'étape 10.
- Vérifiez que les conduites d'eau et de vidange ne sont pas pliées ou en contact avec d'autres composants. Le contact avec le moteur ou le châssis du lave-vaisselle pourrait causer du bruit. Voir l'étape 8.
- Ouvrez le robinet d'eau chaude de l'évier et vérifiez la température de l'eau. La température de l'eau entrante doit être comprise entre 120 °F et 150 °F. Une température minimale de 120 °F est requise pour obtenir les meilleurs résultats de lavage. Voir "Préparation de la conduite d'eau chaude", page 5.
- Ajoutez 2 litres d'eau au fond du lave-vaisselle pour lubrifier le joint d'étanchéité de la pompe.
- Ouvrez l'alimentation en eau. Vérifiez les fuites. Serrez les connexions si nécessaire.
- Retirez le film protecteur du panneau de commande et de la porte s'il est présent.

Instruction d'installation

ÉTAPE 16 TEST D'ESSAI DU LAVE-VAISSELLE

- Mettre sous tension (ou brancher le cordon d'alimentation sur la prise si équipé).
- Allumer le lave-vaisselle (se référer au manuel d'utilisation pour les instructions).
- Fermer la porte, sélectionner le cycle RINÇAGE SEULEMENT (*RINCE ONLY*) et appuyer sur DÉMARRER/ANNULER (*START/CANCEL*).
- Vérifier que l'eau entre dans le lave-vaisselle. Si l'eau n'entre pas dans le lave-vaisselle, vérifier que l'eau et l'alimentation électrique sont allumées.
- Vérifier les fuites sous le lave-vaisselle. Si une fuite est constatée, éteindre l'alimentation électrique, puis resserrer les connexions. Restaurer l'alimentation électrique une fois la fuite corrigée.
- Vérifier les fuites autour de la porte. Une fuite autour de la porte peut être causée par un frottement ou un contact avec les armoires adjacentes. Repositionner le lave-vaisselle si nécessaire. Voir étape 9.
- Lorsque le lave-vaisselle se vidange, vérifier les tuyaux d'évacuation. Si des fuites sont constatées, couper l'alimentation électrique au disjoncteur et corriger la plomberie si nécessaire.
- Restaurer l'alimentation électrique une fois les corrections effectuées. Voir étape 12.
- Ouvrir la porte du lave-vaisselle et s'assurer que la plupart de l'eau a été évacuée. Si ce n'est pas le cas, vérifier que le bouchon de l'éliminateur de déchets a été retiré et/ou que le bouchon d'air n'est pas obstrué. Voir étape 13. Vérifier également que le tuyau d'évacuation n'est pas plié.
- Faire passer le lave-vaisselle par un autre cycle de remplissage et de vidange. Vérifier les fuites et corriger si nécessaire.

ÉTAPE 17 REMPLACEMENT DU PANNEAU D'ACCÈS AU PIED



- Placer le panneau contre les pieds du lave-vaisselle. Les fentes doivent être alignées avec les trous de vis du support du panneau. Laisser le panneau toucher le sol. Installer les vis du panneau.

ÉTAPE 18 DOCUMENTATION

Veiller à laisser le manuel d'utilisation complet et les instructions d'installation au consommateur.