

ASSEMBLY INSTRUCTION

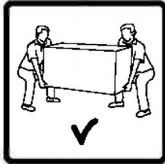
ASSEMBLY TIPS:

1. Remove hardware from box and sort by size.
2. Please check to see that all hardware and parts are present prior to start of assembly.
3. Please follow attached instructions in the same sequence as numbered to assure fast & easy assembly.



Warning !

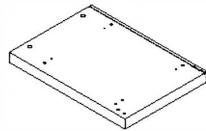
1. Don't attempt to repair or modify parts that are broken or defective. Please contact the store immediately.
2. This product is for home use only and not intended for commercial establishment.



ASSEMBLY TIME PER UNIT: 40 MINUTES

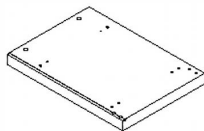
PARTS IDENTIFICATION:

(A) LEFT SIDE PANEL



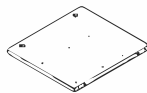
1 PC

(B) RIGHT SIDE PANEL



1 PC

(C) LEFT DIVIDE PANEL



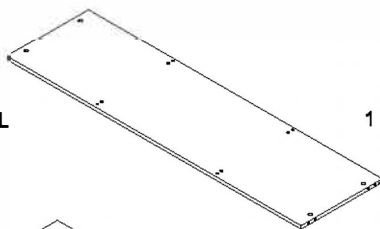
1 PC

(D) RIGHT DIVIDE PANEL



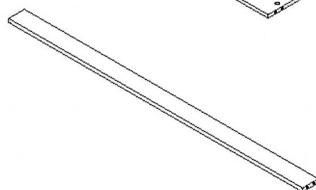
1 PC

(E) BOTTOM PANEL



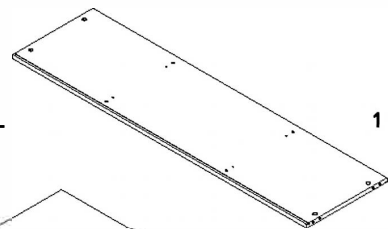
1 PC

(F) CROSS BRACE



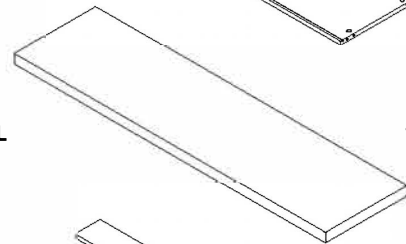
2 PCS

(G) CROSS PANEL



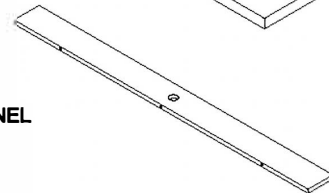
1 PC

(H) TOP PANEL



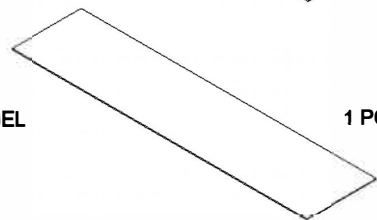
1 PC

(I) UPPER BACK PANEL



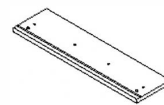
1 PC

(J) DOWN BACK PANEL



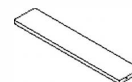
1 PC

(K) DRAWER FRONT PANEL



2 PCS

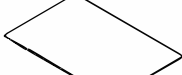
(L) DRAWER BACK PANEL





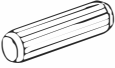








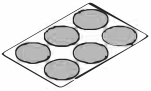

2 PCS

ASSEMBLY INSTRUCTION

(M) LEFT DRAWER SIDE PANEL  2 PCS

(O) DRAWER BOTTOM PANEL  2 PCS

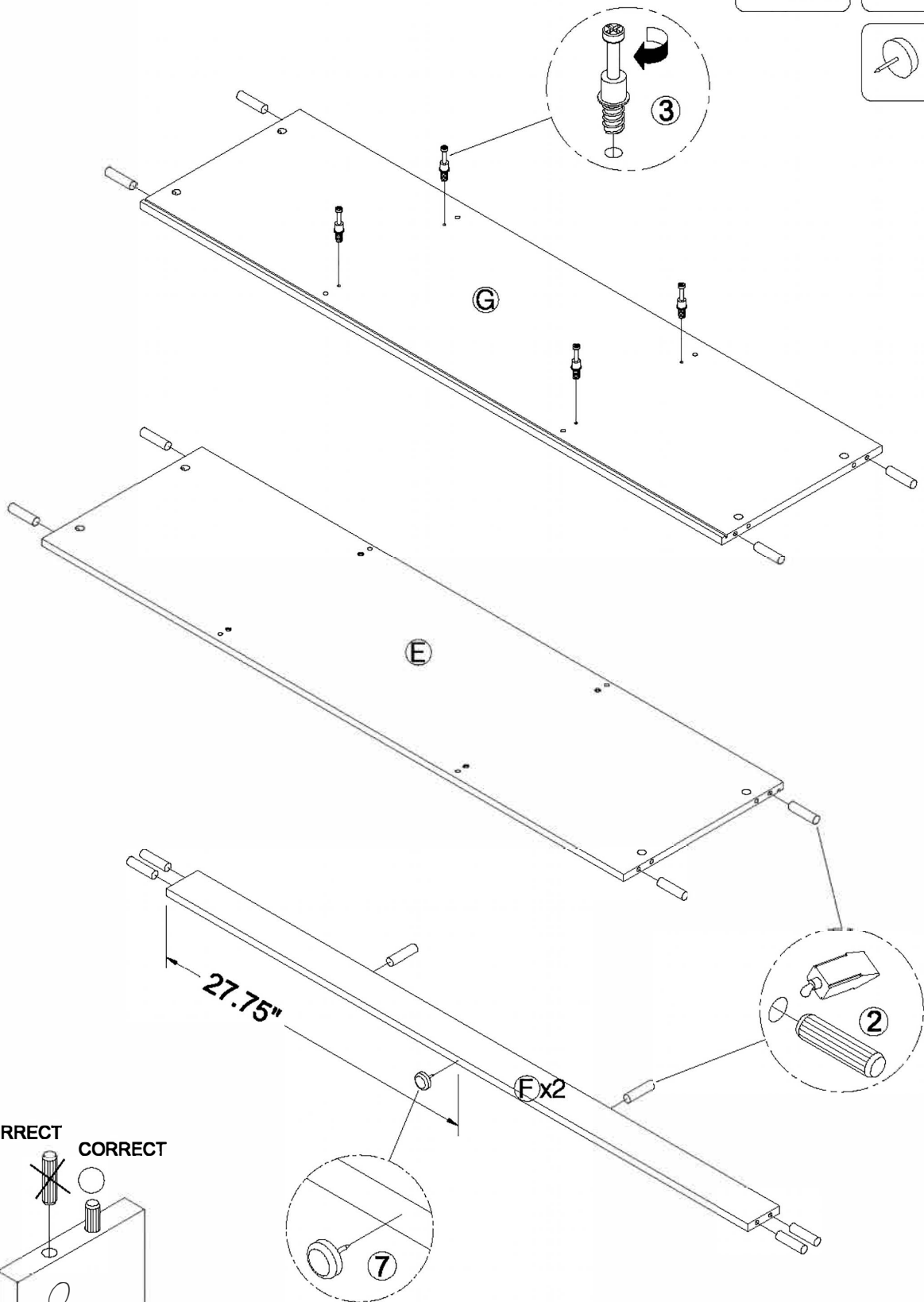
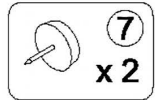
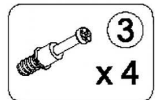
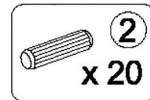
(N) RIGHT DRAWER SIDE PANEL  2 PCS

Z HARDWARE PACKAGE							
NO	DESCRIPTION	FIGURE	Q'TY	NO	DESCRIPTION	FIGURE	Q'TY
1	GLUE 40g		1 PC	8	GLIDES L = 350mm		2 SET
2	WOODEN DOWEL ø8x30mm		42 PCS	9	GLIDES SCREW ø3x12mm		24 PCS
3	CAM BOLT ø7x35.5mm		20 PCS	10	HANDLE		2 PCS
4	CAM LOCK ø15x12mm		20 PCS	11	HANDLE BOLT M5x25mm		4 PCS
5	SCREW ø4.5x42mm		4 PCS	12	NUT M5		4 PCS
6	DRAWER SCREW ø4.3x35mm		8 PCS	13	STICKER ø20mm		4 PCS
7	PLASTIC FEET ø15mm		6 PCS				

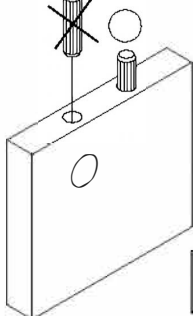
Z8,Z10,Z11,Z12 not included in blister packaging.

ASSEMBLY INSTRUCTION

STEP 1 :



INCORRECT
CORRECT

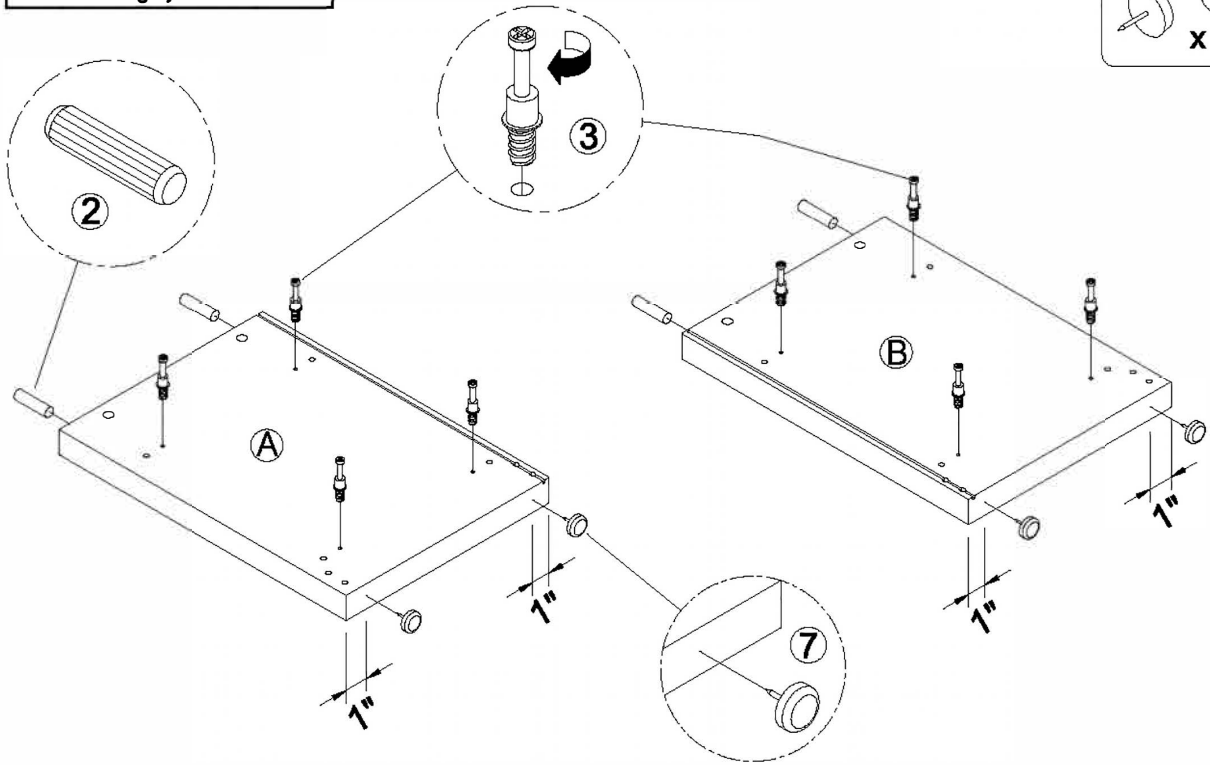
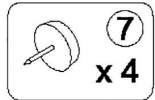
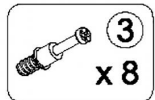
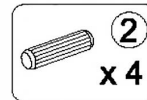


Apply glue on all wooden dowels
to ensure integrity of the structure.

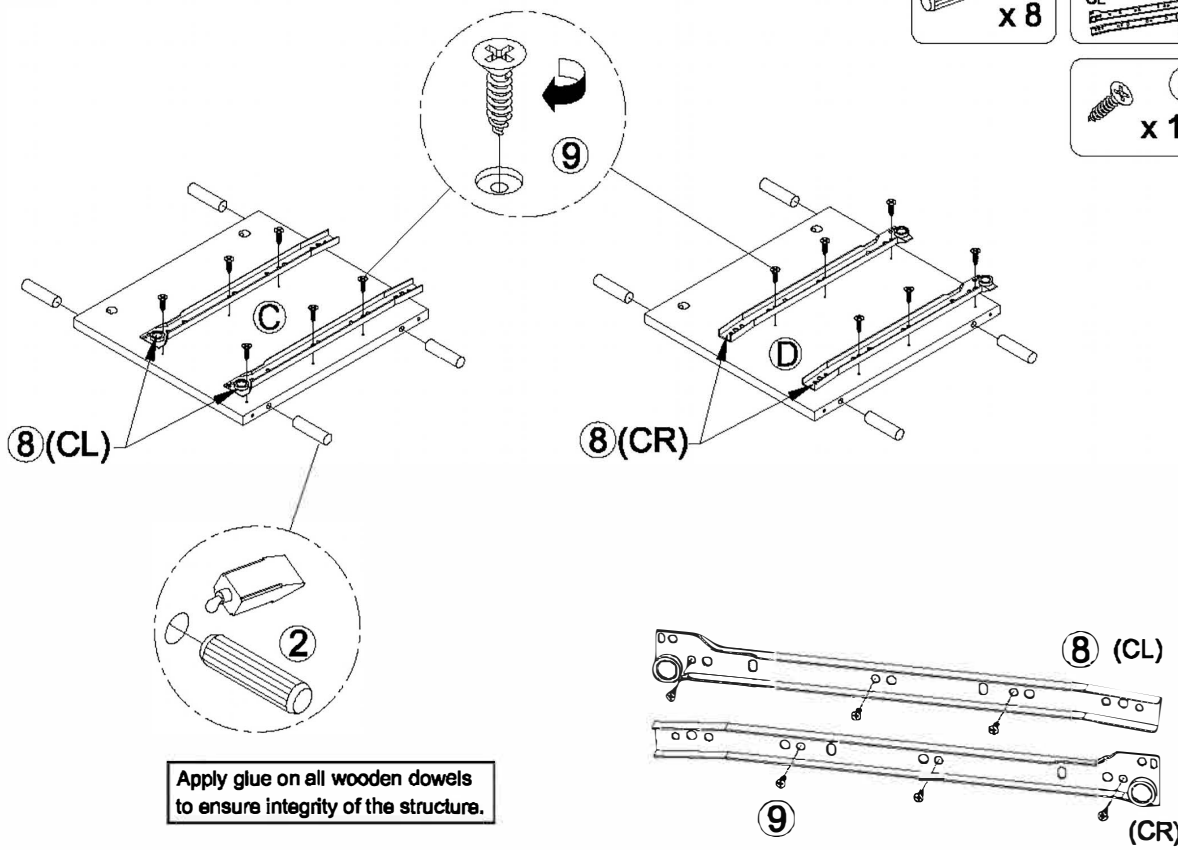
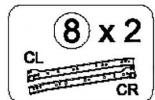
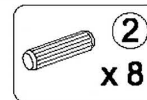
ASSEMBLY INSTRUCTION

STEP 2 :

Apply glue on all wooden dowels to ensure integrity of the structure.

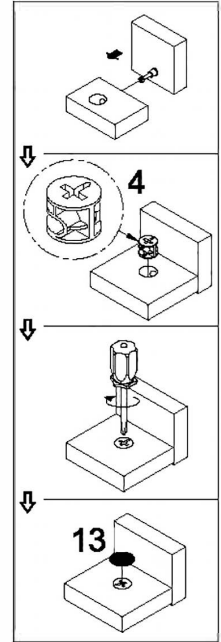
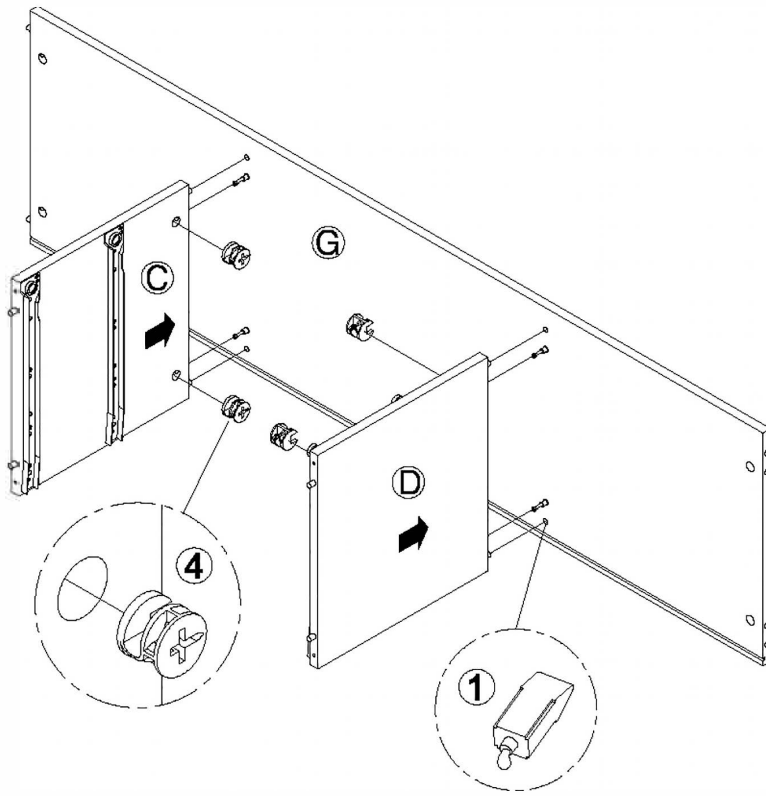
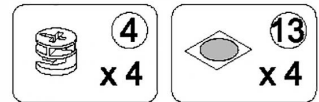


STEP 3 :



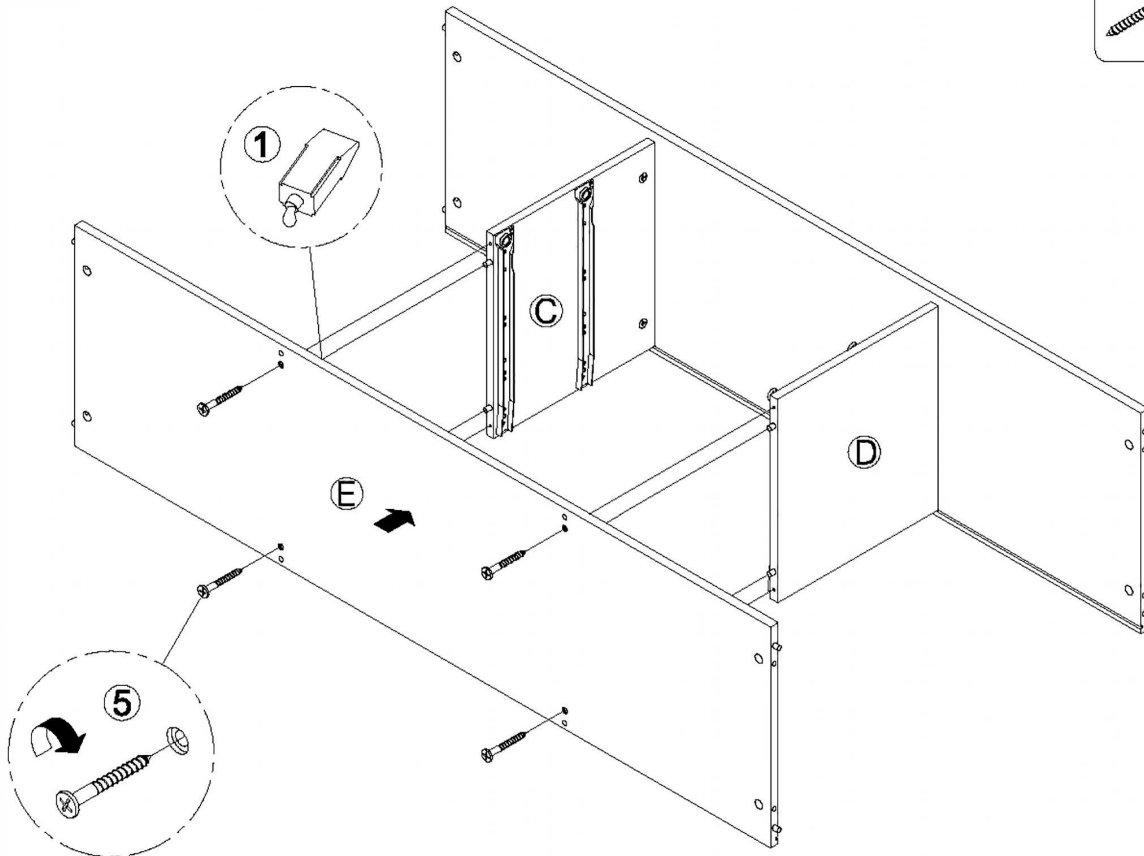
ASSEMBLY INSTRUCTION

STEP 4 :

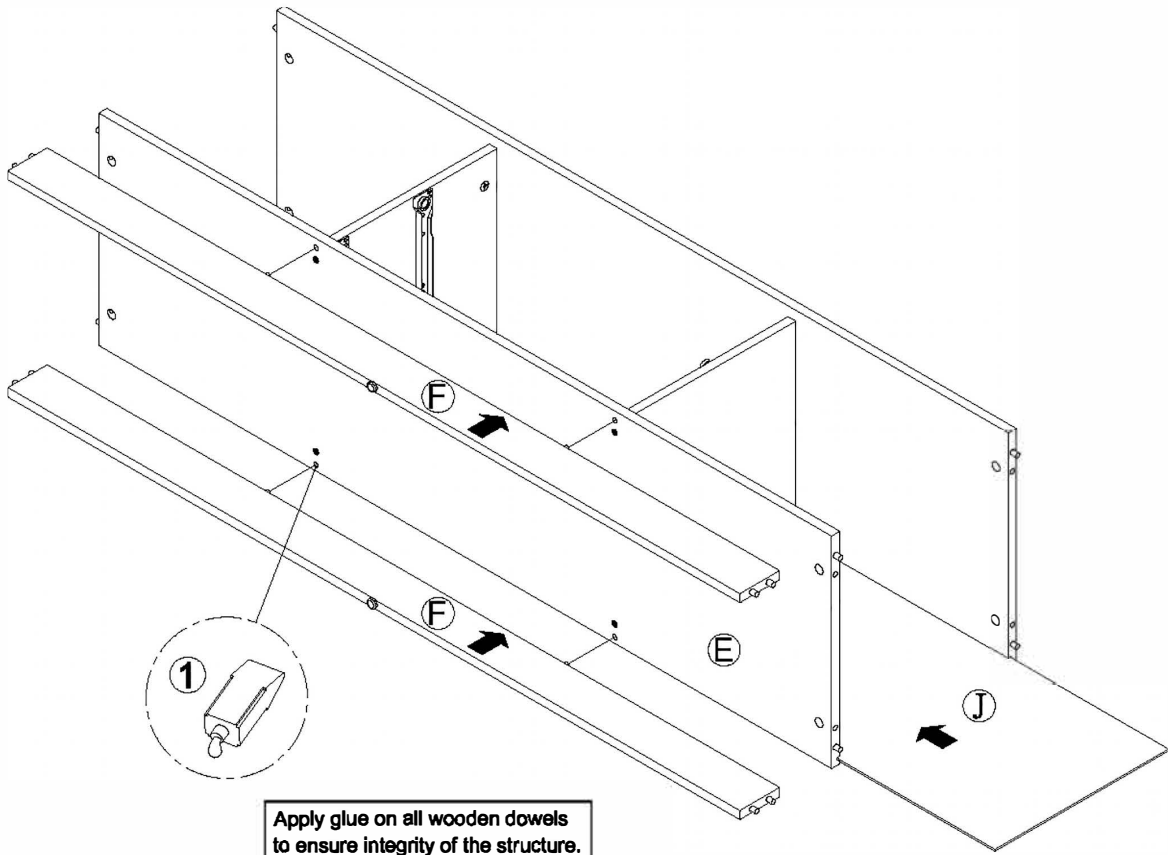


Apply glue on all wooden dowels to ensure integrity of the structure.

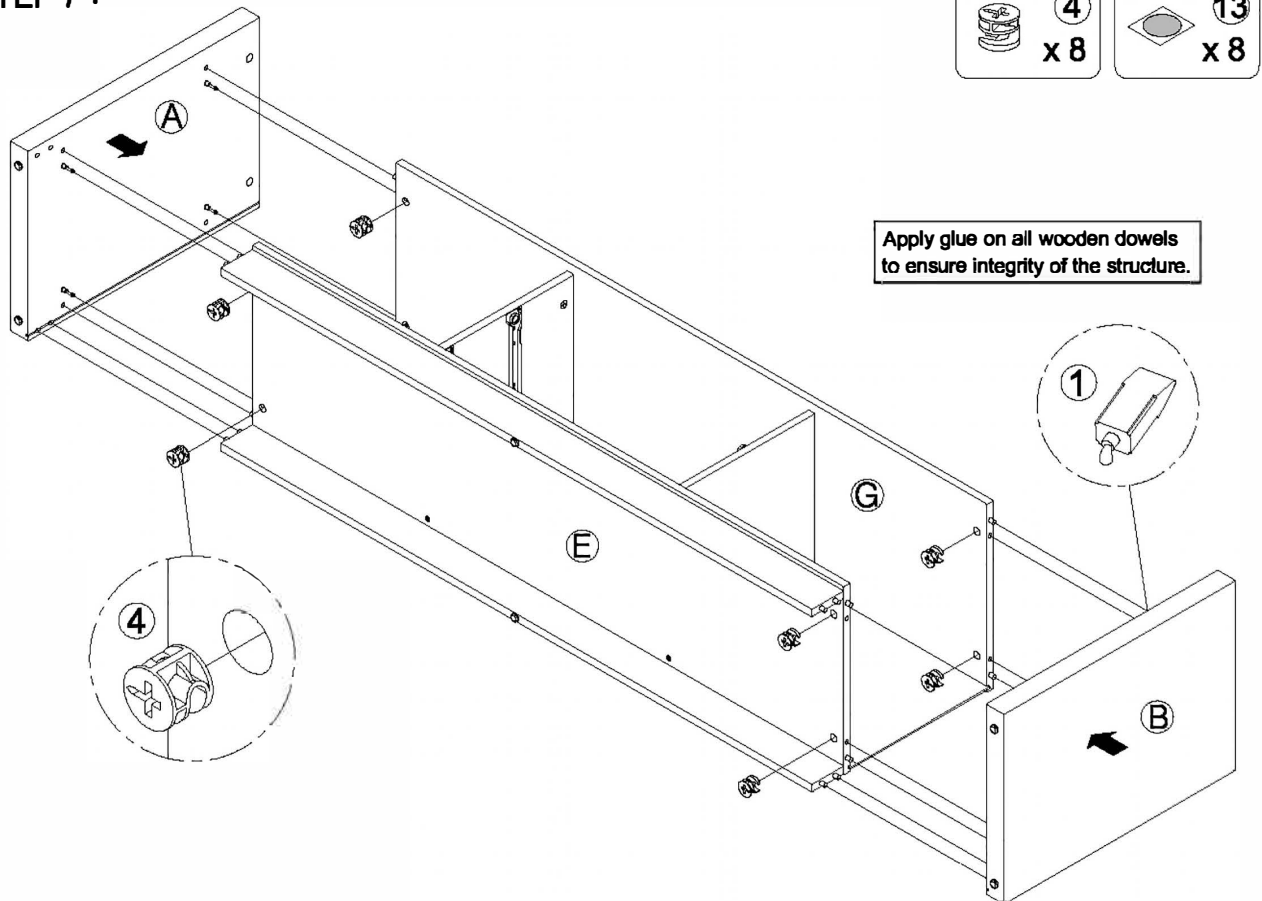
STEP 5 :



STEP 6 :

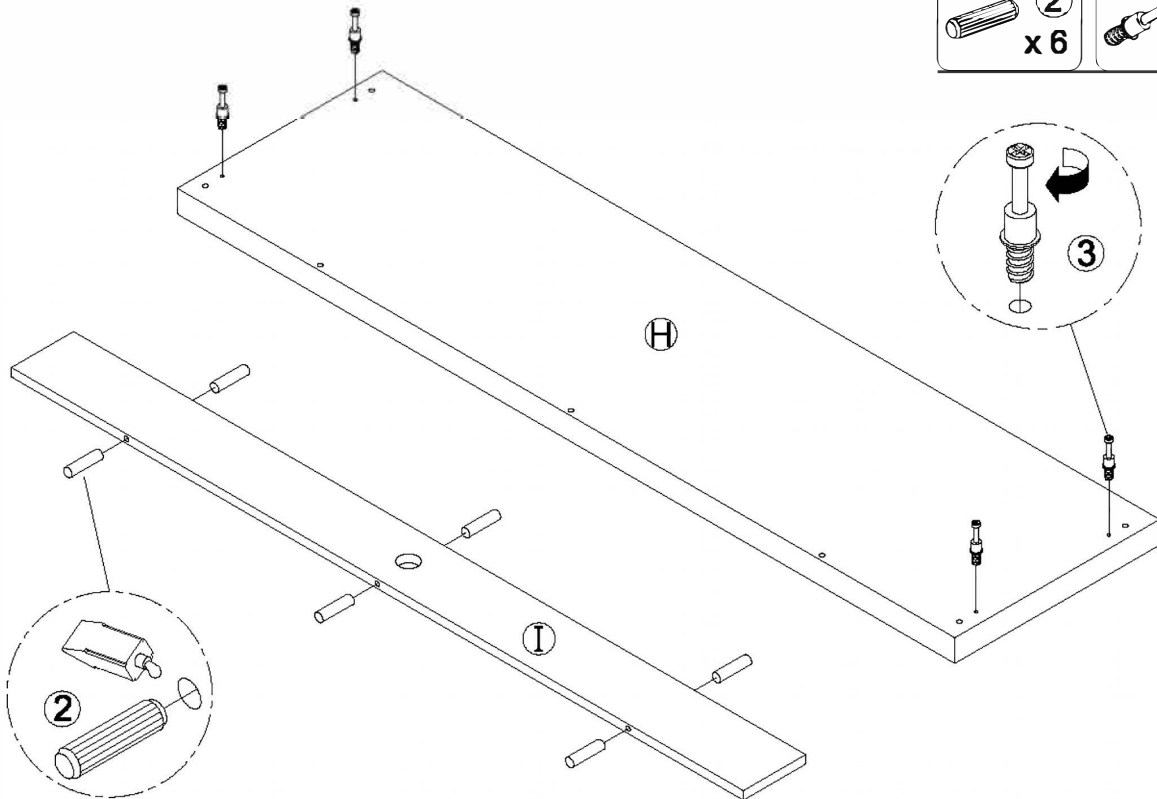


STEP 7 :



ASSEMBLY INSTRUCTION

STEP 8 :

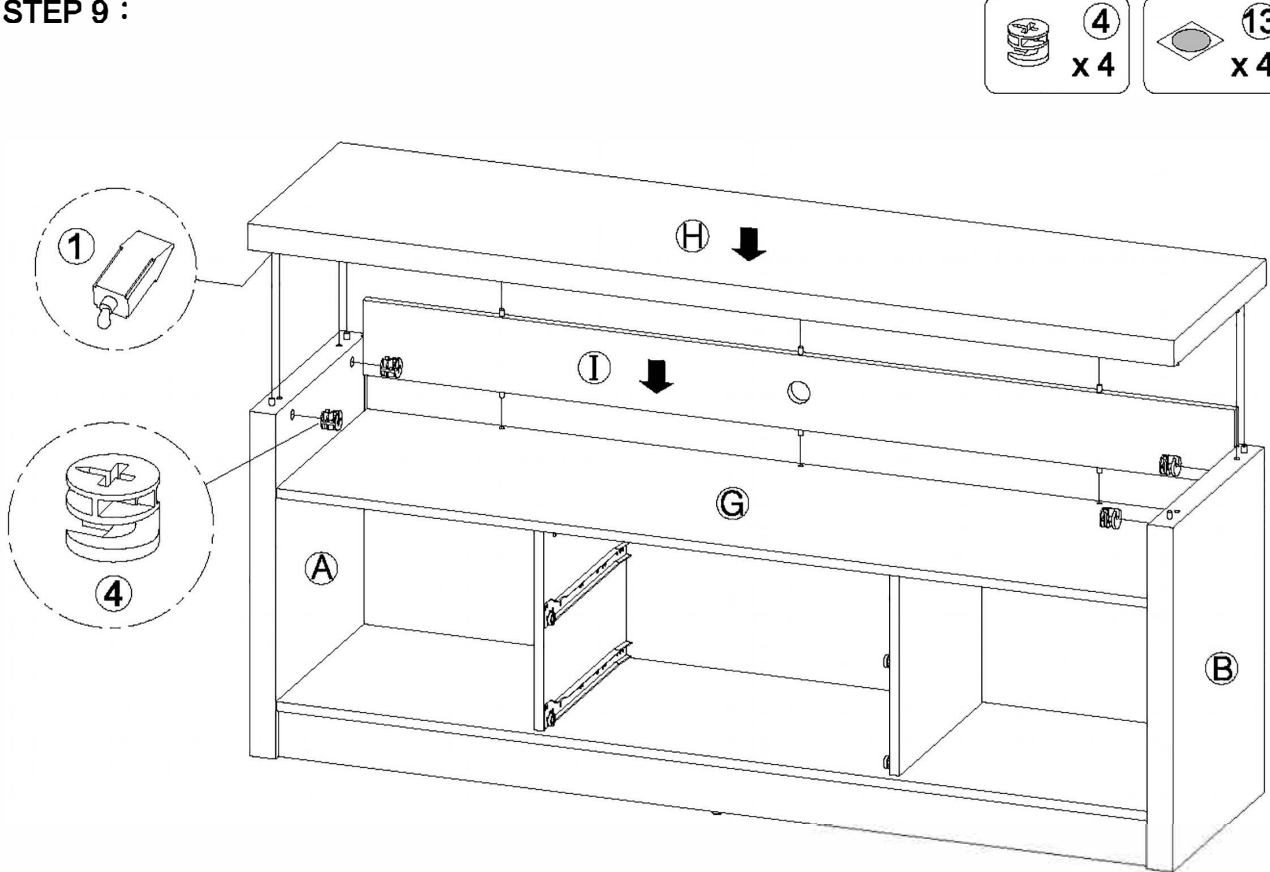


2
x 6

3
x 4

Apply glue on all wooden dowels to ensure integrity of the structure.

STEP 9 :



4
x 4

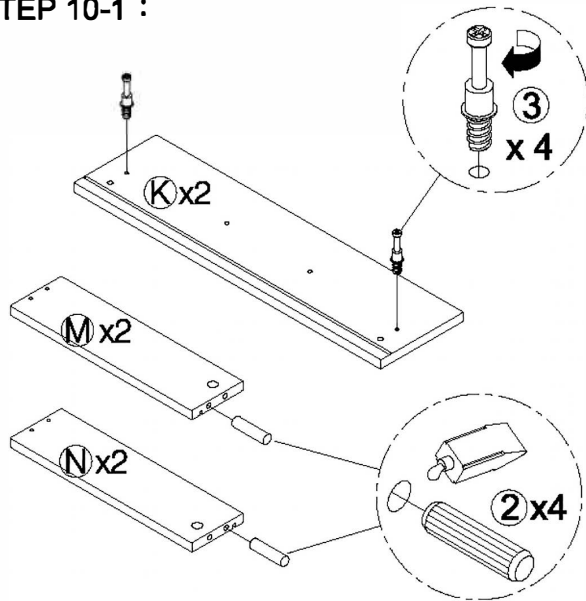
13
x 4

1

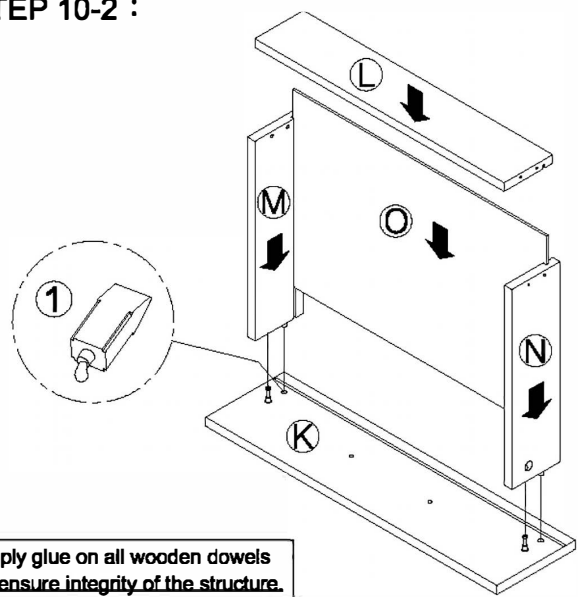
4

ASSEMBLY INSTRUCTION

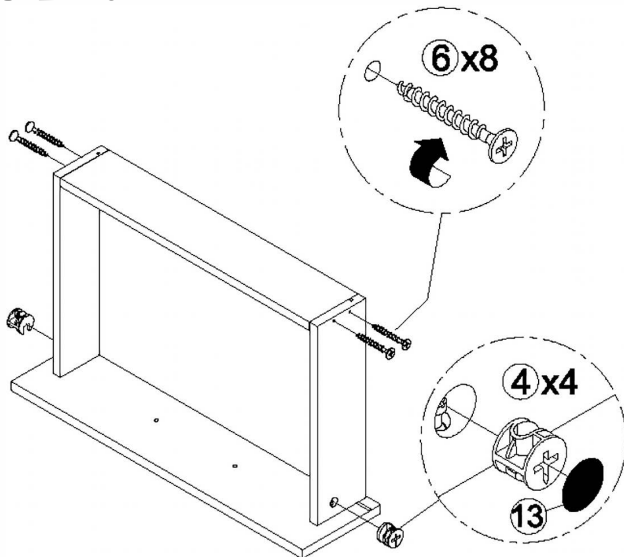
STEP 10-1 :



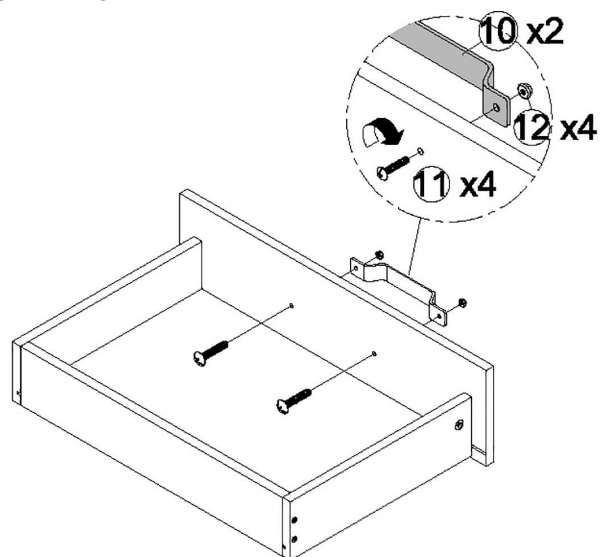
STEP 10-2 :



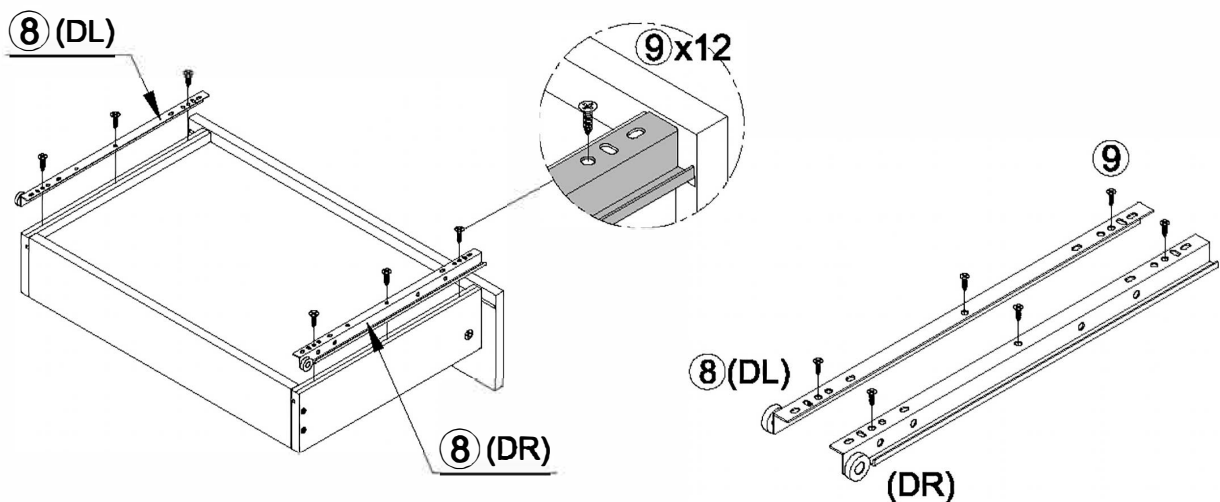
STEP 10-3 :



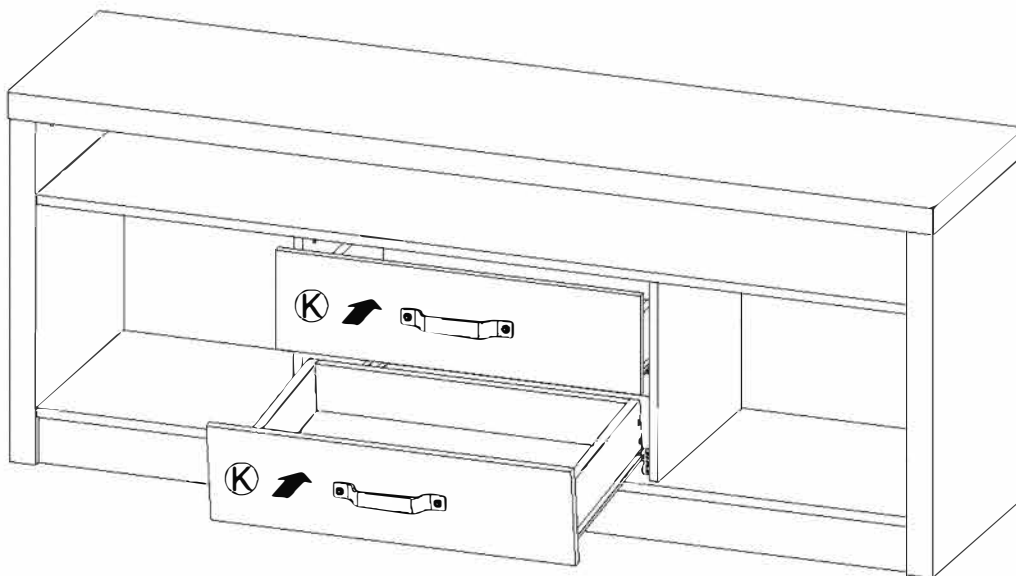
STEP 10-4 :



STEP 10-5 :



STEP 11 :



FINISH

