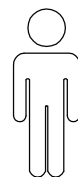
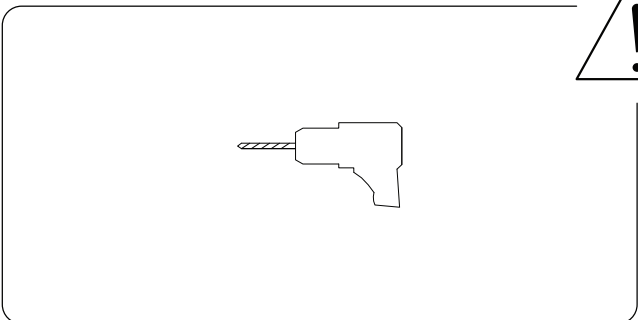
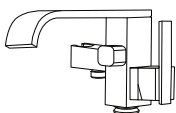

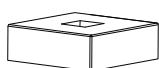


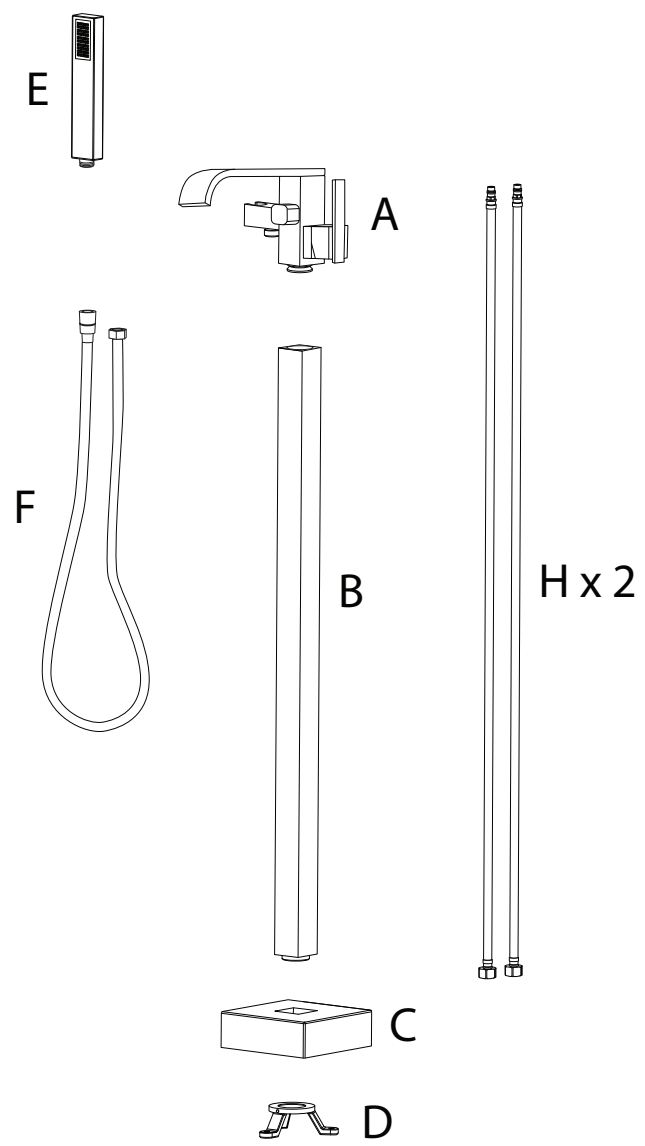


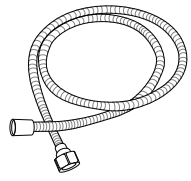

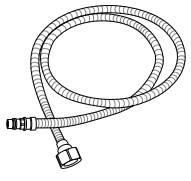
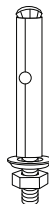

20'



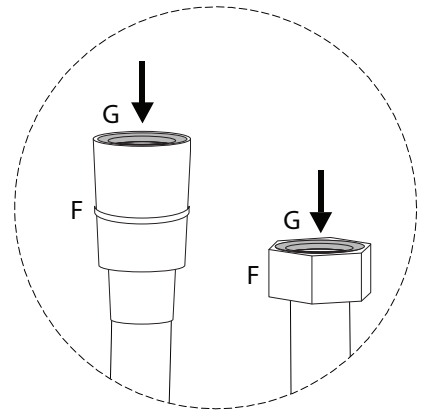
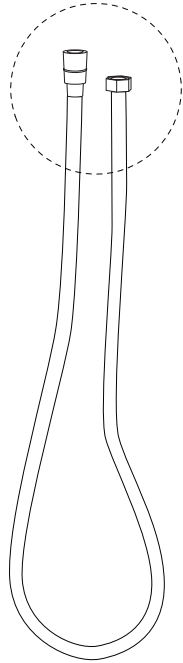
1

A	B	C	D	E
				
x 1	x 1	x 1	x 1	x 1



F	G	H	I	J
				
x 1	x 2	x 2	x 3	x 1

!



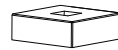
1

B

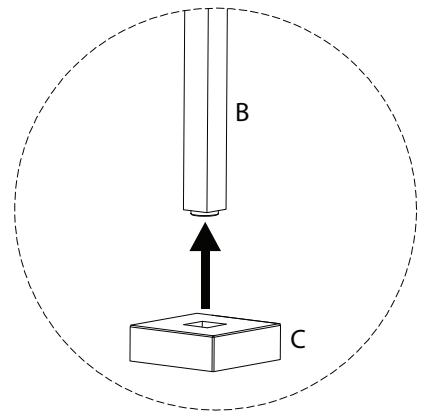
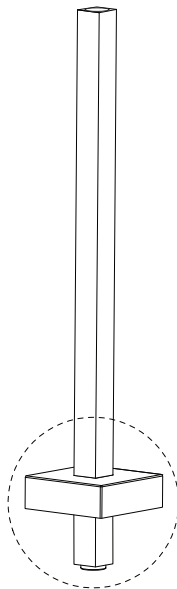


x 1

C



x 1



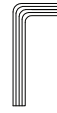
2

D

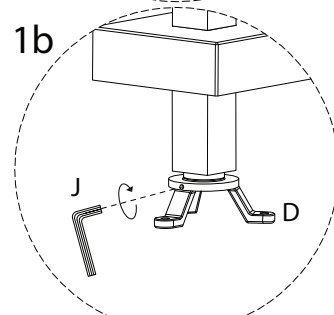
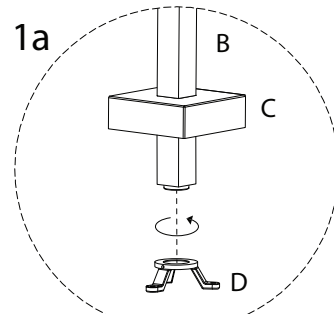
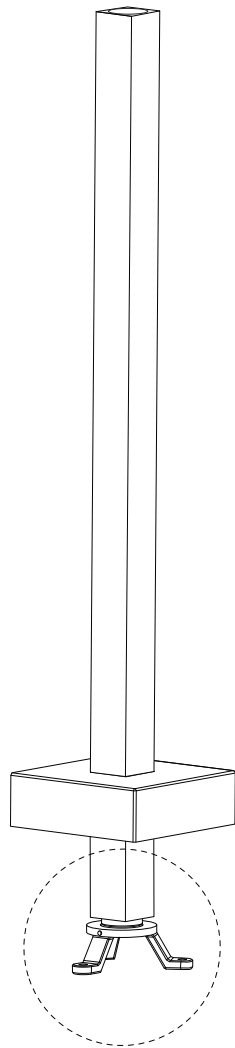


x1

J



x1

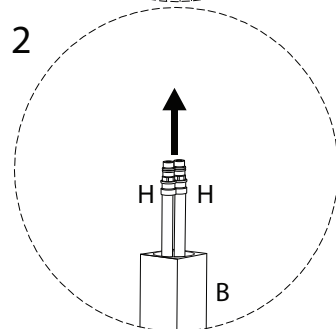
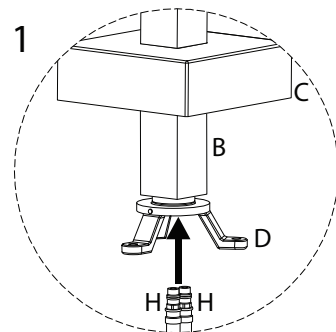
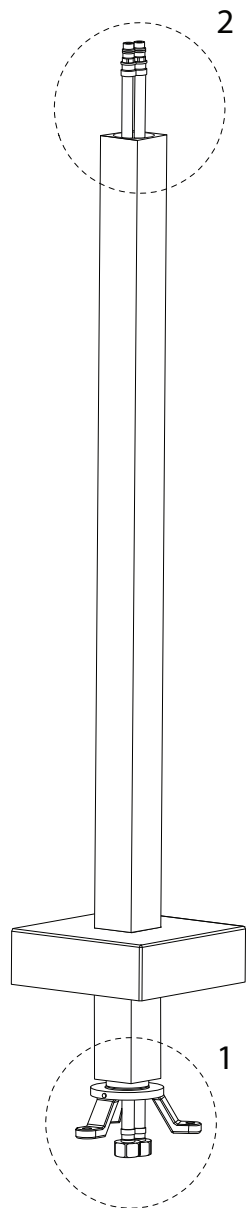


3

H

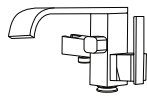


x 2



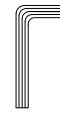
4

A

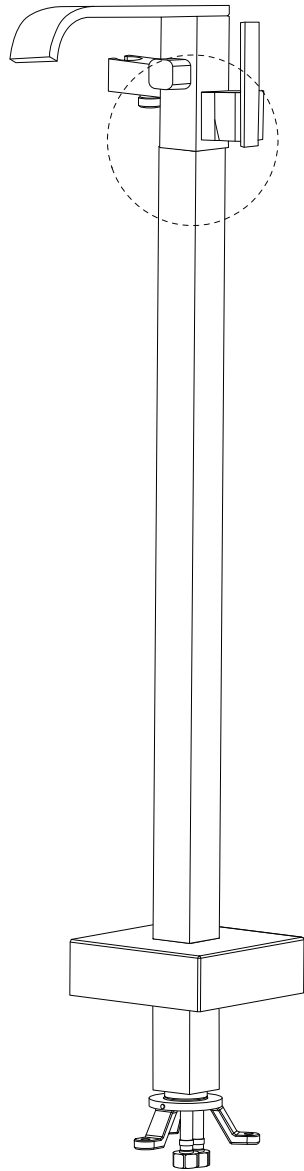


x 1

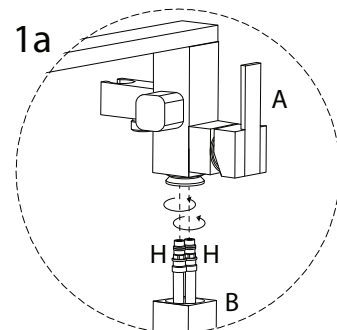
J



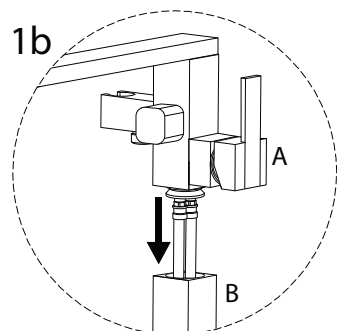
x 1



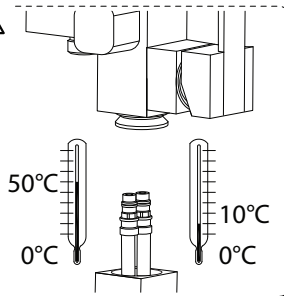
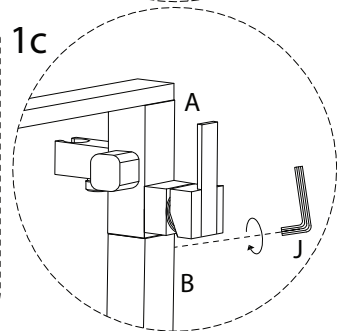
1a



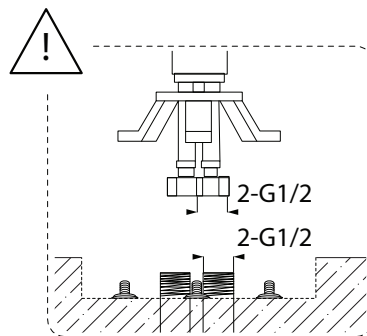
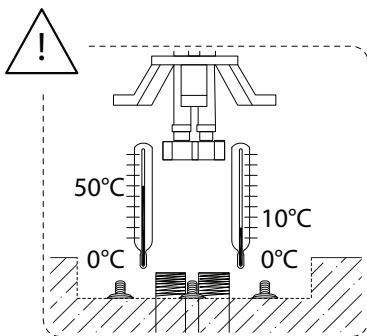
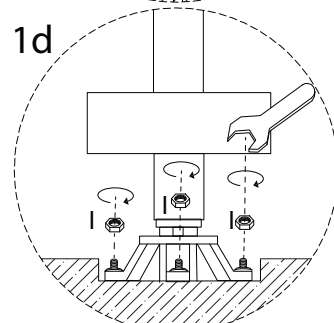
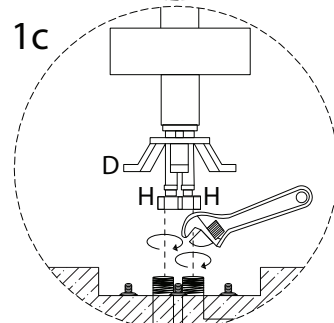
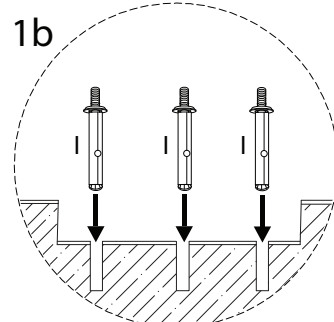
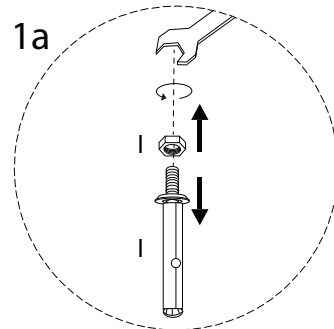
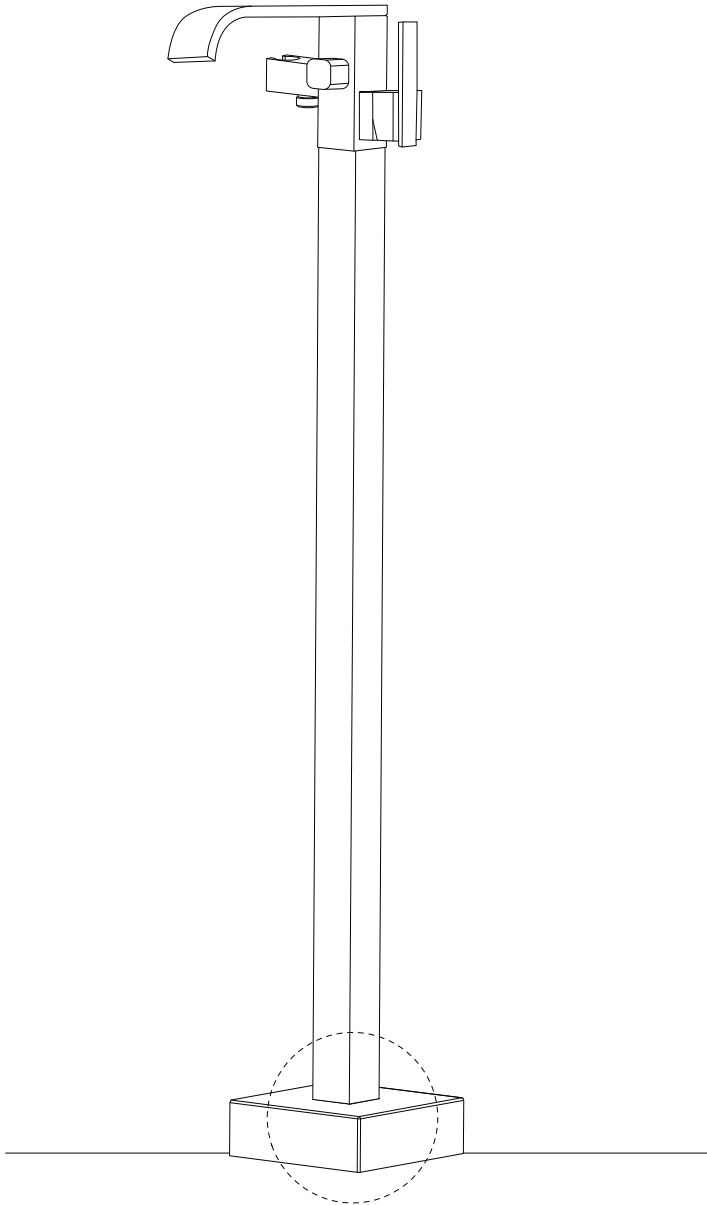
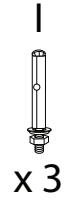
1b



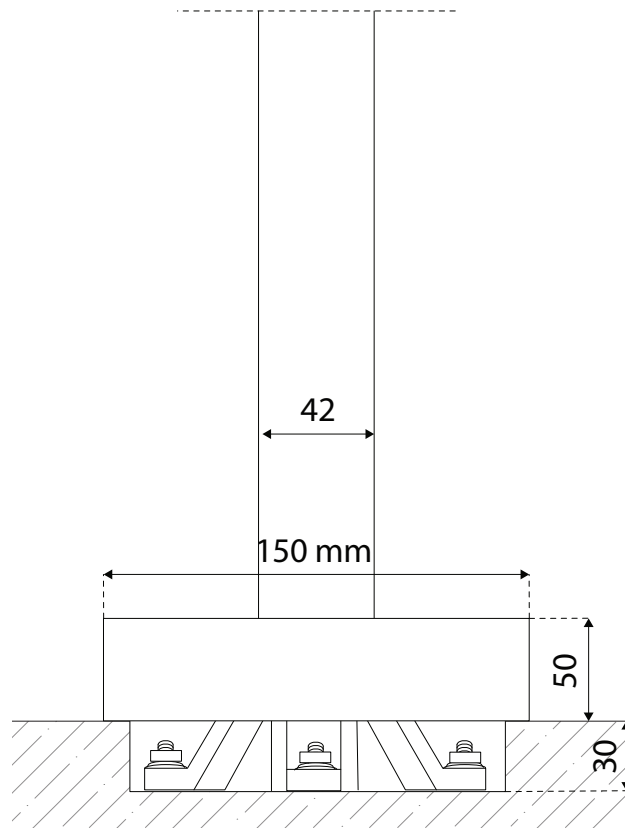
1c



5



!



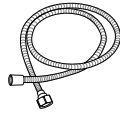
6

E



x1

F

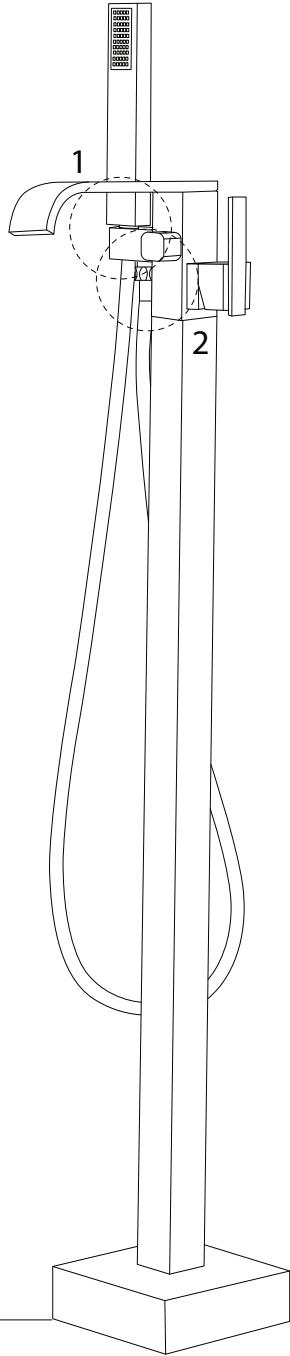


x1

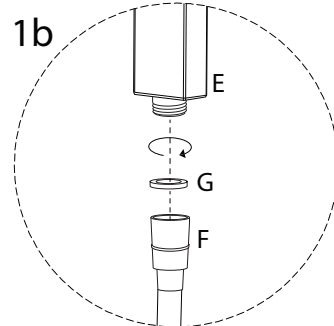
G



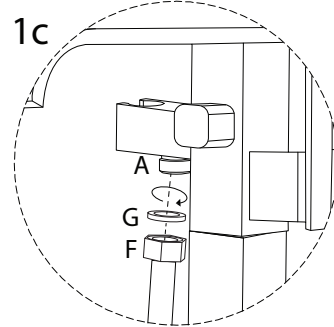
x2



1b



1c



1d

