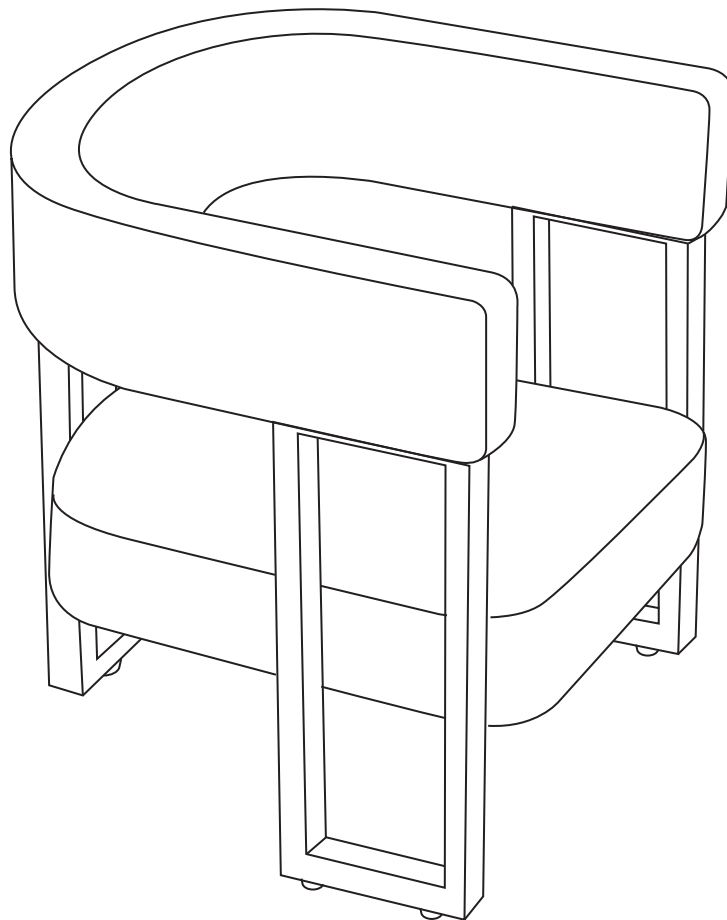
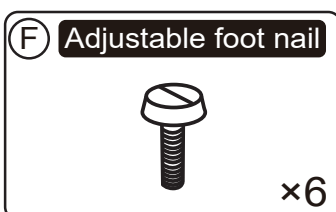
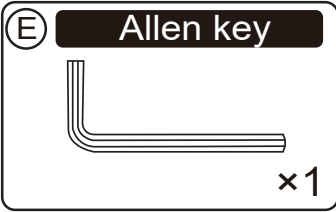
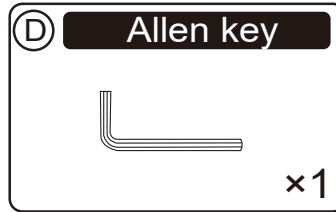
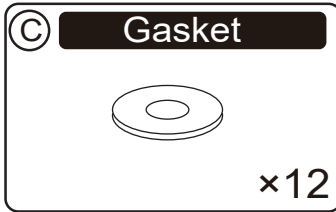
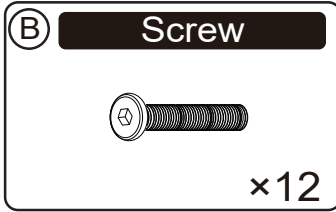
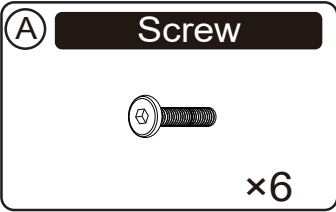
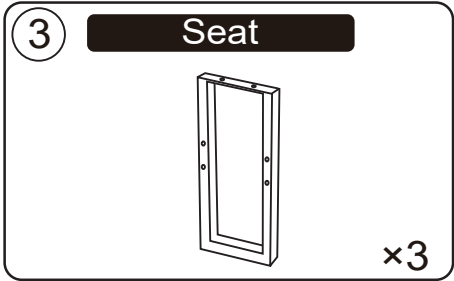
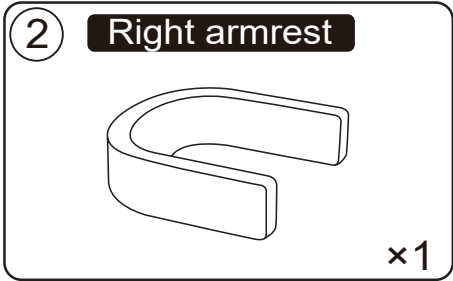
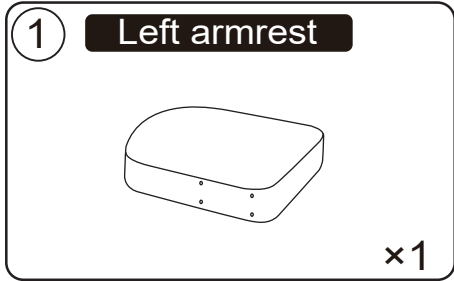


INSTRUCTION MANUAL

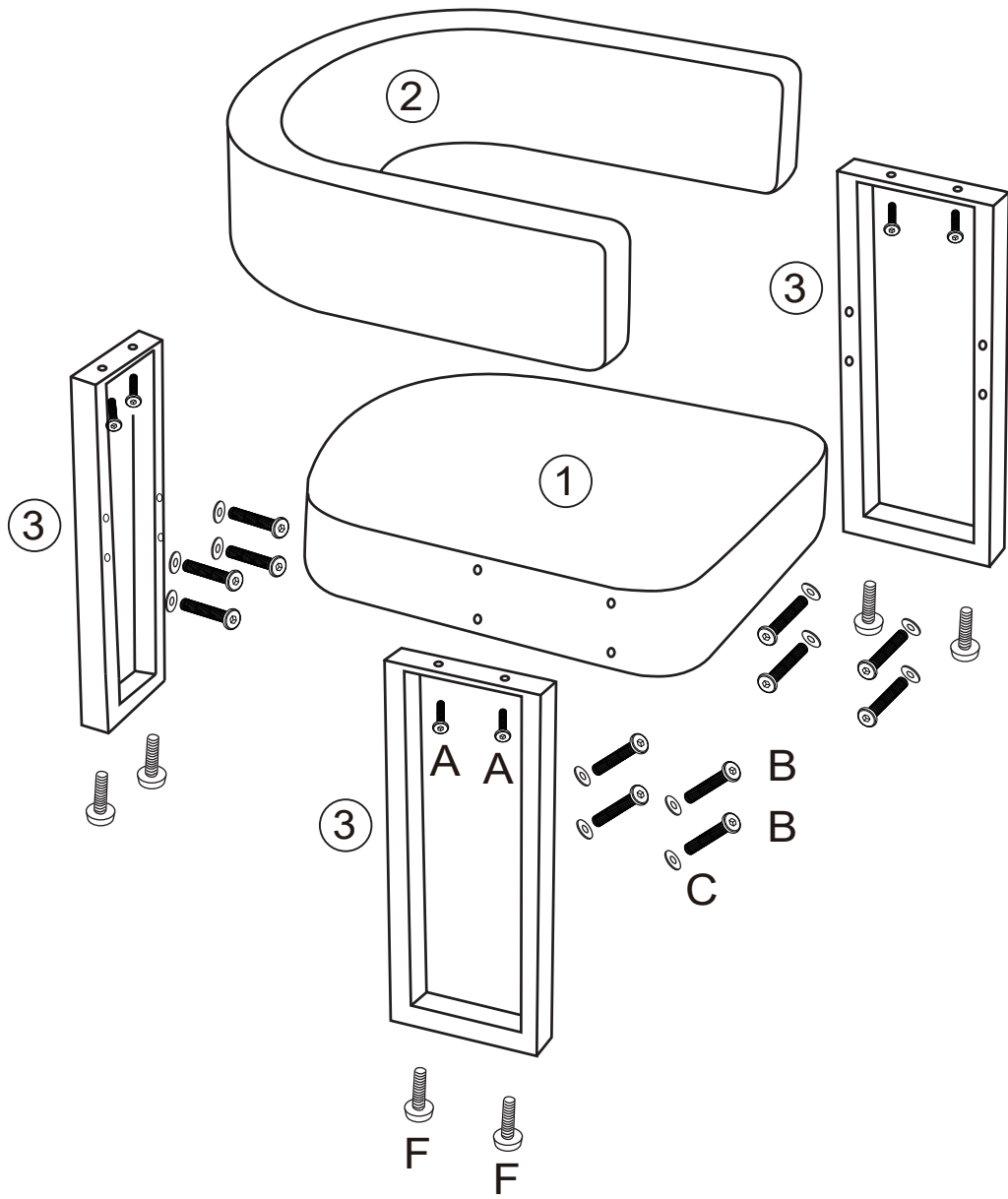


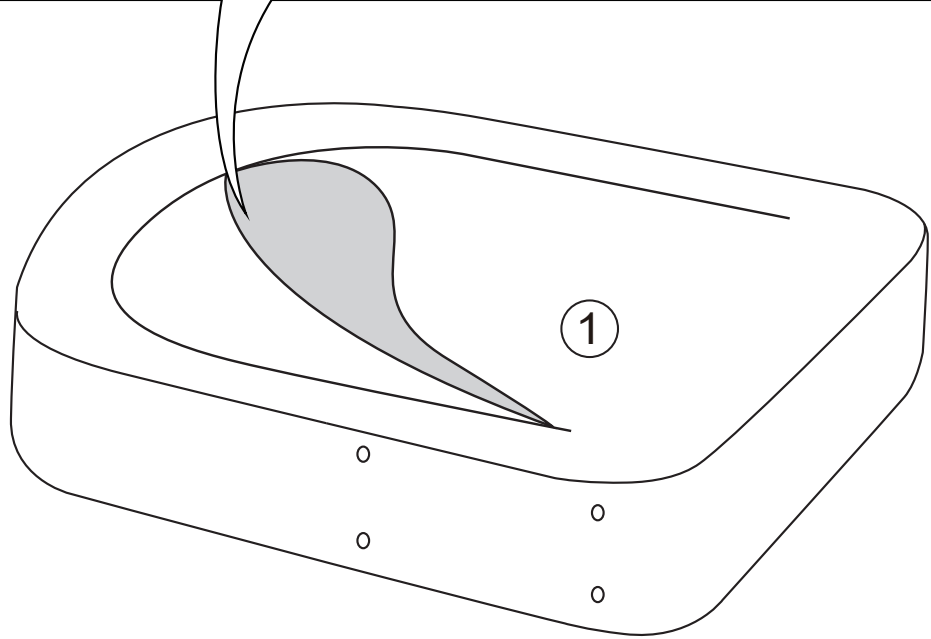
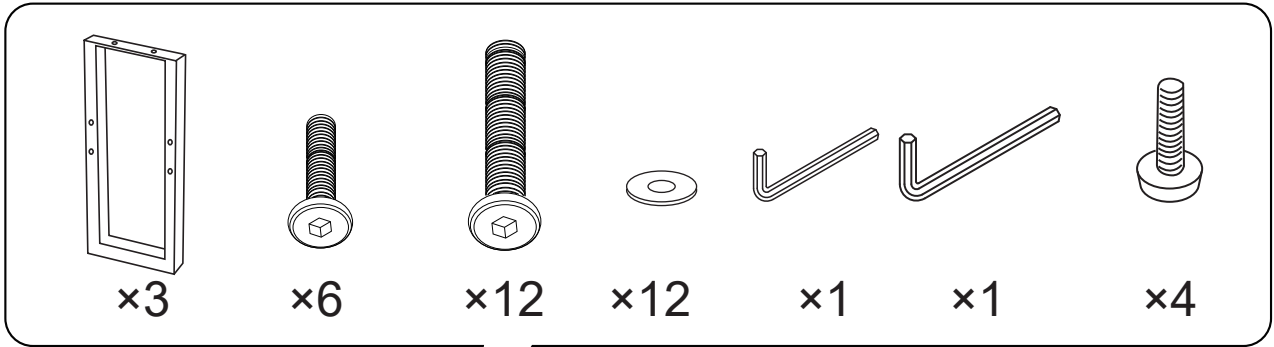
PARTS LIST



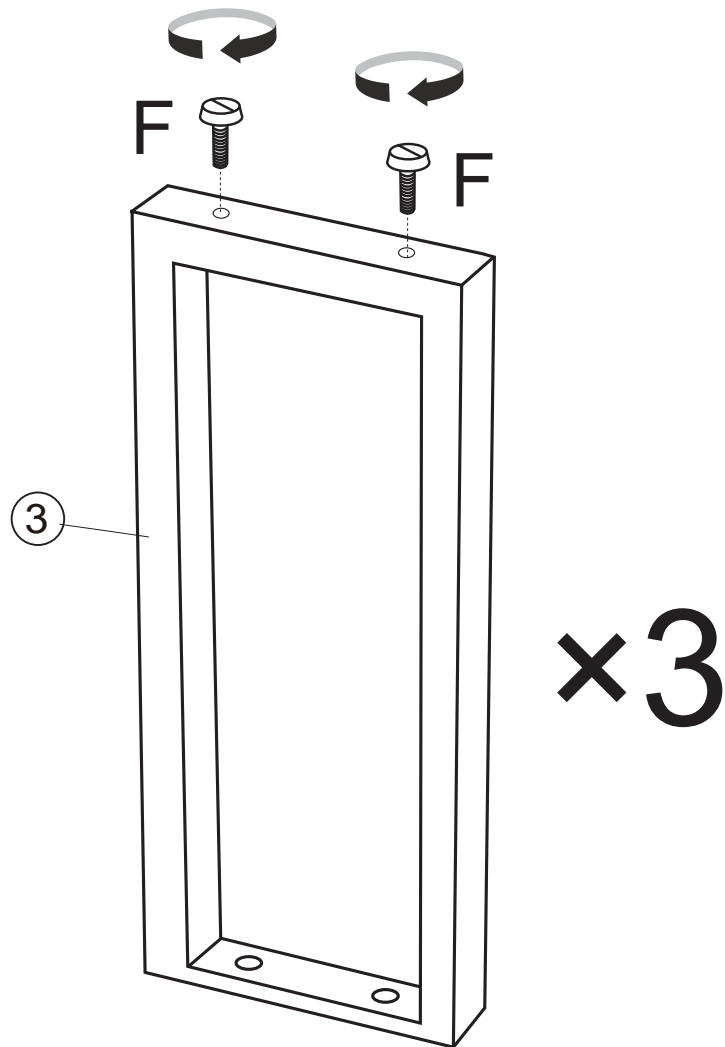
ATTENTION:

If there are missing parts please contact us asap.(The last page of the manual has our after-sales email)



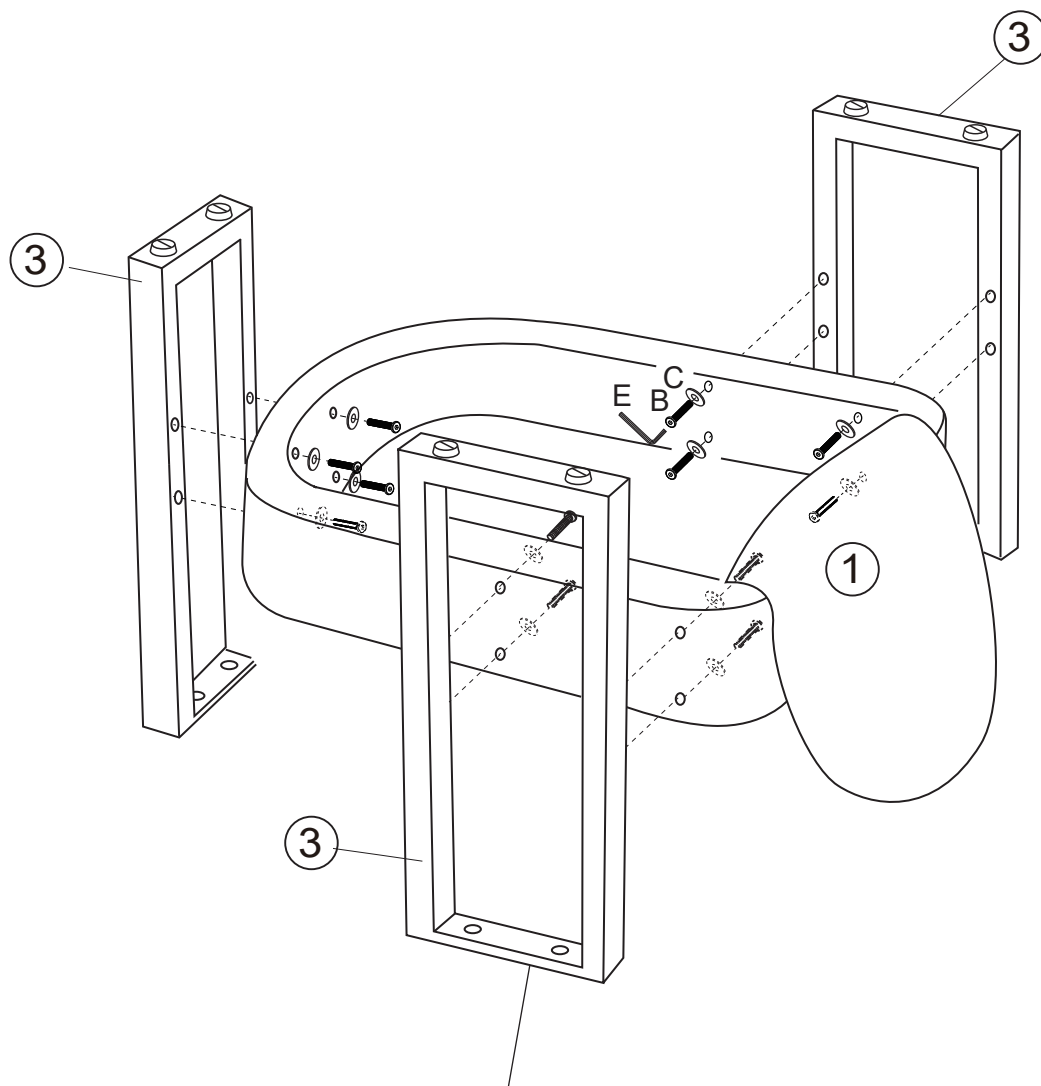


Step 1: Remove the hardware from under the cushion



Step 2: Install the adjusting foot peg on the foot

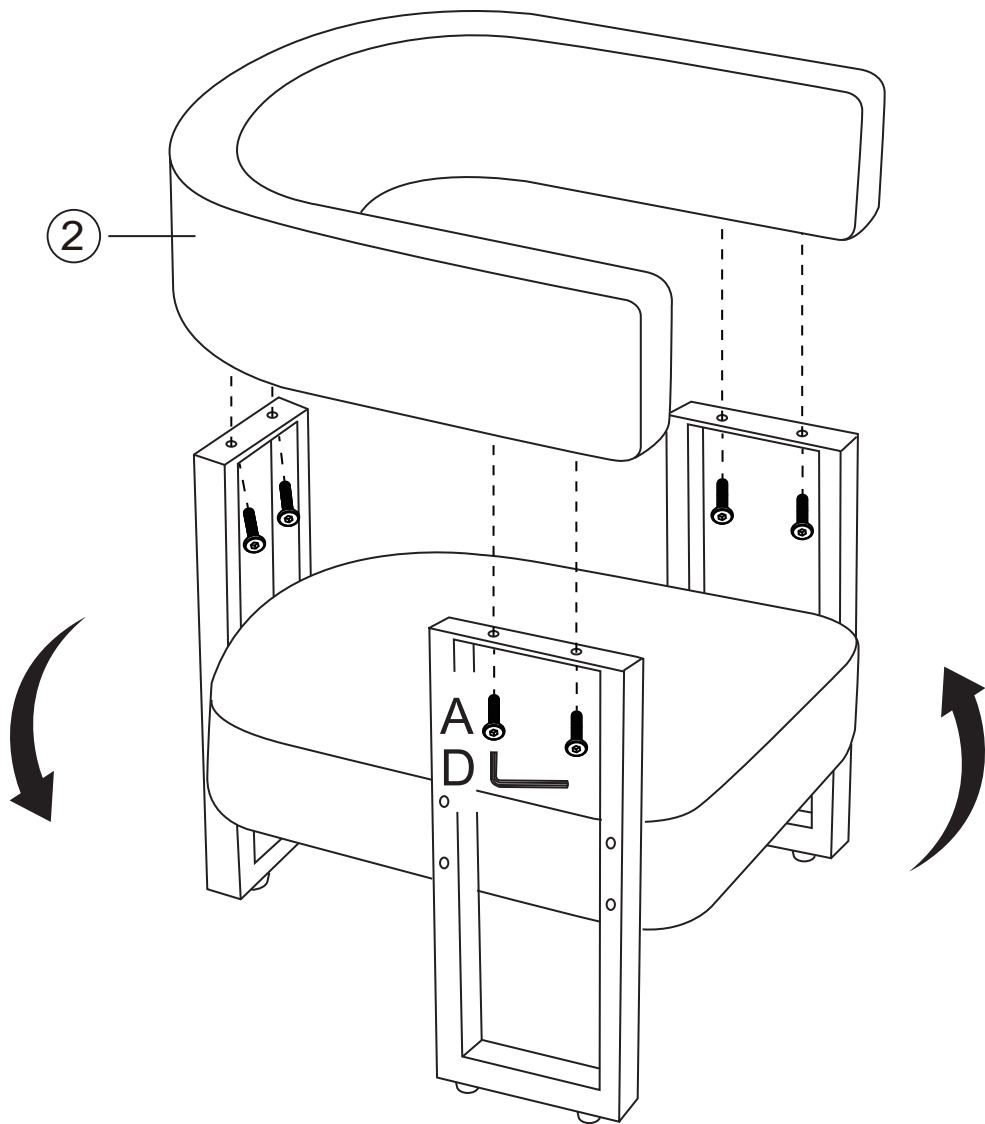
F	×6
③	×3



⚠ Note: The hole faces down.

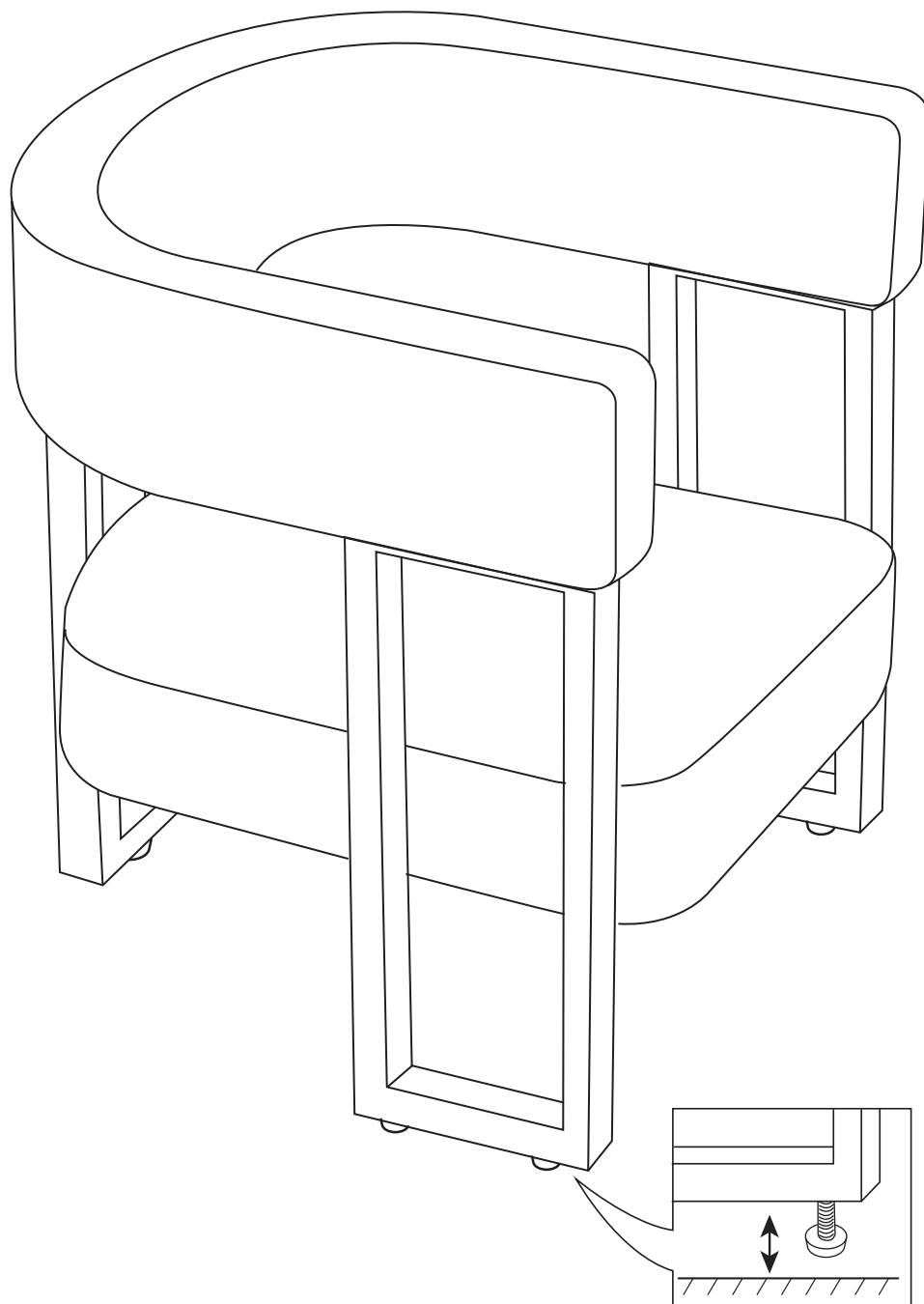
Step 3: Attach the foot to the cushion with screw (B)

B	×12
C	×12
E	×1
①	×1
③	×3



Step 4: Flip the assembled parts first.
Attach the backrest to the foot with
screws (A)

A	×6
D	×1
②	×1



Step 5: Complete assembly