
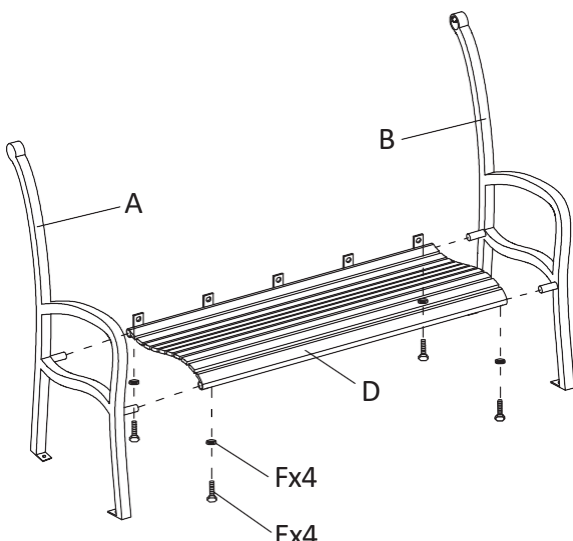

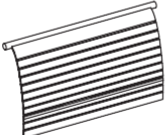
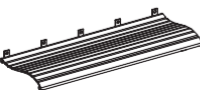
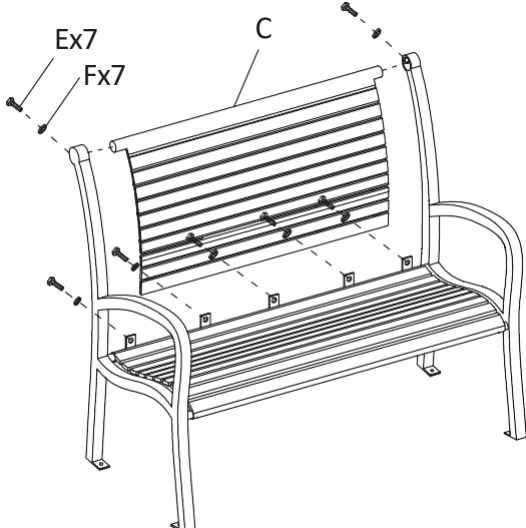
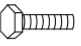


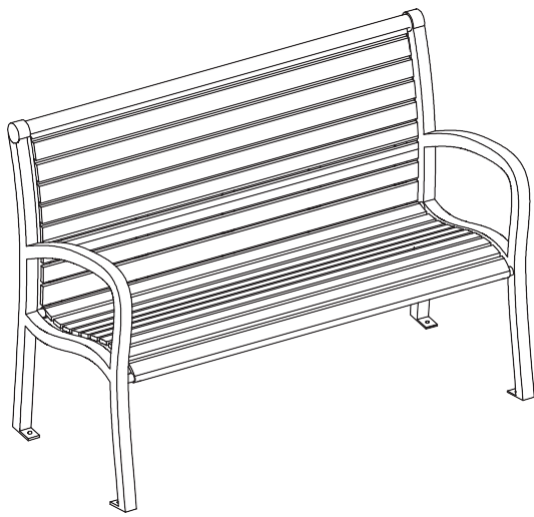



\*  
\*

<p>Ax1</p> 	<p>①</p> 
<p>Bx1</p> 	
<p>Cx1</p> 	
<p>Dx1</p> 	<p>②</p> 
<p>Ex11</p>  <p>M6x <math>\frac{12}{0.5}</math></p>	
<p>Fx11</p> 	
<p>Gx1</p> 	<p>③</p> 
 <p>mm inch x1</p>	