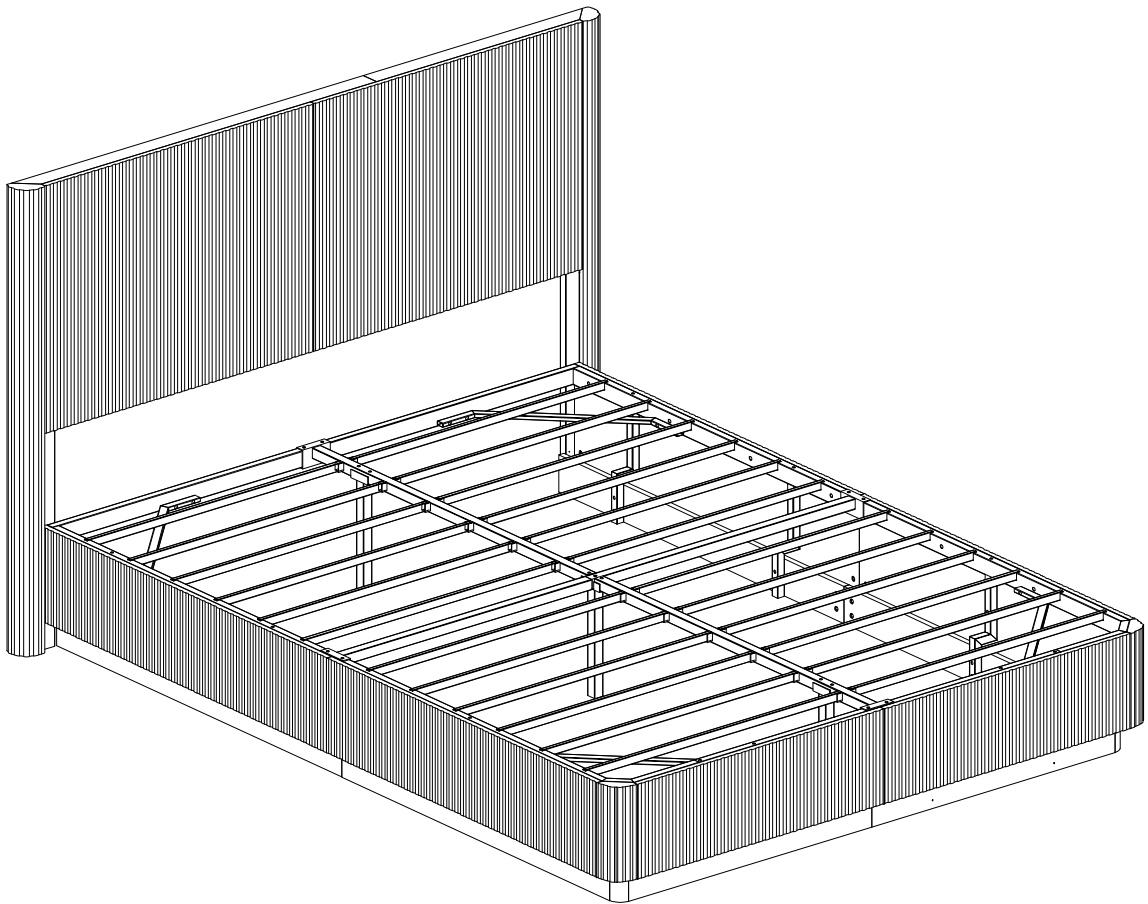


251225

Assembly Instrusction

BED177AK



General Guidelines

- Please read the following instruction carefully and use the product accordingly.
- Please keep this manual and hand it over when you transfer the product.
- This summary may not include every detail of all variations and considered steps. Please contact us when further information and help are needed.

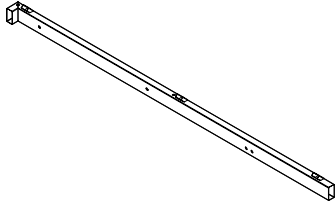
Notes

- The product is intended for indoor use only. The product must be assembled and used in accordance with the provisions of the manual. Personal injury and/or damage to product may occur if products are used outside of their intended purposes and/or if products have been changed/modified from their original design. The seller does not assume any responsibility or liability with respect to any injury/damage caused by incorrect assembly or improper use.
- Avoid long-term exposure to humid environments to prevent mildew.
- Keep the product away from fire sources and high temperatures. Do not expose the product to direct sunlight.
- Do not place any hot objects on the surface of the product.
- If there are any defective or missing parts after unpacking, please cease assembly immediately and contact us.
- Please assemble the item on a spacious surface and do not place the unwrapped product directly on the ground to avoid product damage.
- Please do not stand or sit on the wooden boards.
- Please wear gloves during the assembly and/or disassembly process to avoid scratches from any sharp edges.
- Please match the corresponding part and fitting based on the part number in the manual.
- If the part does not match with the fitting, please check the piece as specified in this manual.
- During assembly, first loosely align all screws with the corresponding pre-drilled holes and then tighten the screws one by one.
- Periodically inspect screw tightness while the product is in use. If necessary, retighten to ensure structural integrity.
- If you accidentally spill water or another liquid on the surface, immediately wipe clean with a dry towel.
- Please keep the product away from sharp, pointed objects and corrosive substances to prevent product damage.
- Please place this item on level, solid ground during use.

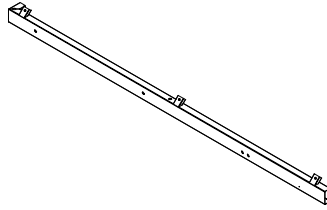
Warnings

- During assembly, keep all small parts out of the reach of children. It may be fatal if swallowed or inhaled.
- Children should not climb or play on the product in order to avoid tipping over the furniture and causing serious injury.
- To avoid the potential dangers of suffocation, please keep all parts and packaging (film, plastic bags, foam, etc.) away from babies and children.
- Keep sharp objects and corrosive items away from the product to avoid any damage or injury.
- Do not shake or move violently during use to avoid tipping over the product.

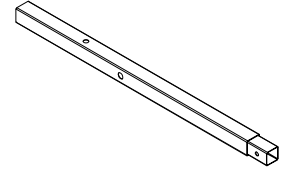
Part list



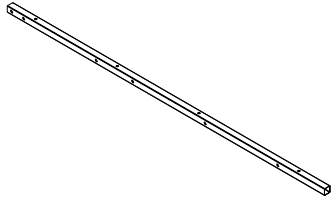
① X1



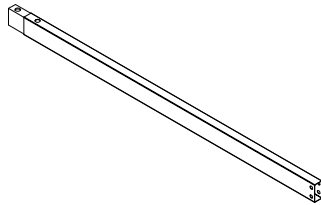
② X1



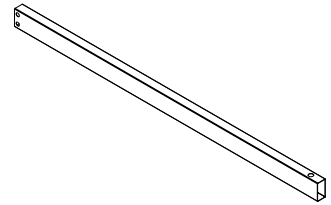
③ X2



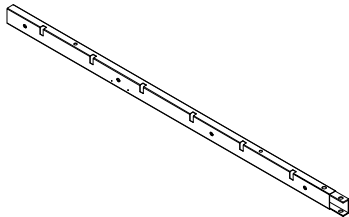
④ X2



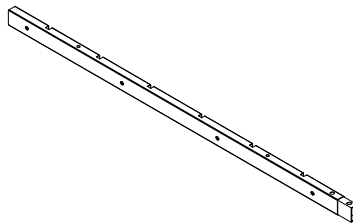
⑤ X1



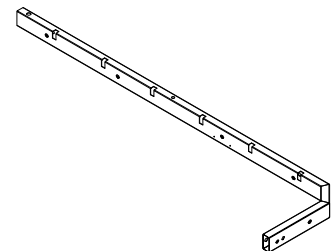
⑥ X1



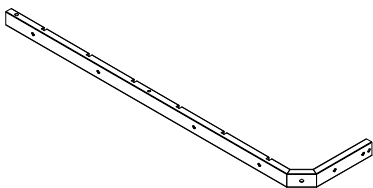
⑦ X1



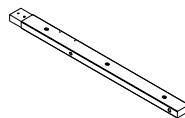
⑧ X1



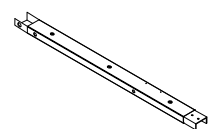
⑨ X1



⑩ X1

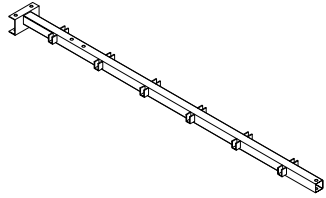


⑪ X1

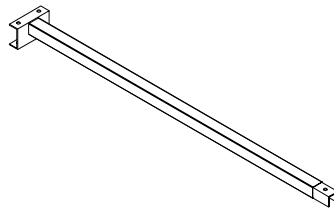


⑫ X1

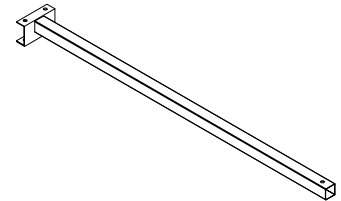
Part list



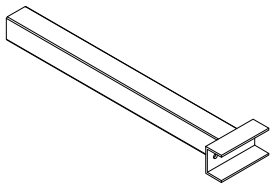
13 X2



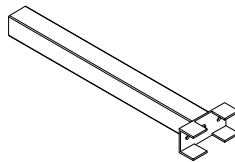
14 X1



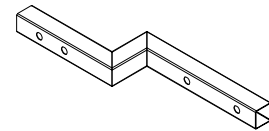
15 X1



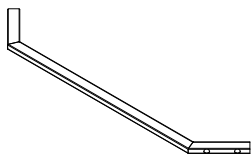
16 X2



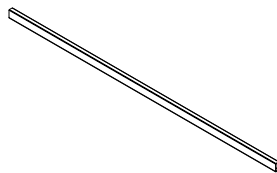
17 X1



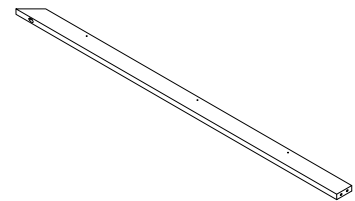
18 X8



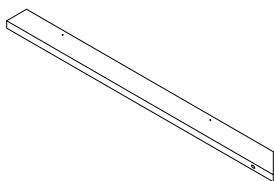
19 X4



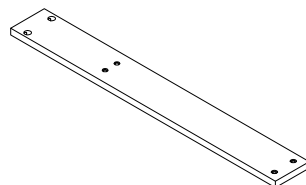
20 X24



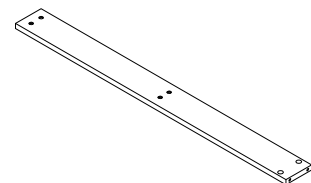
21 X1



22 X1

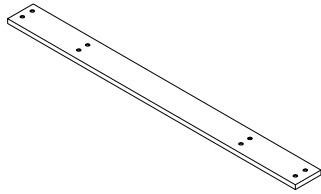


23 X2

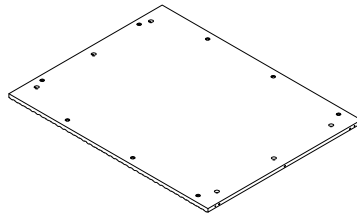


24 X2

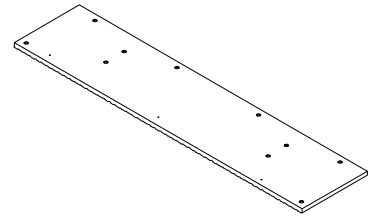
Part list



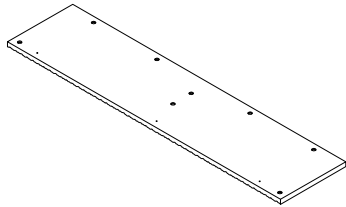
25 X2



26 X2

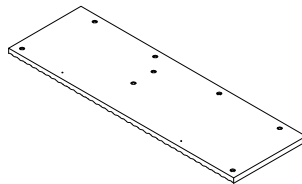


27 X2



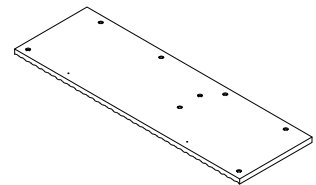
28 X2

right

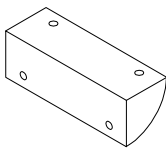


29 X1

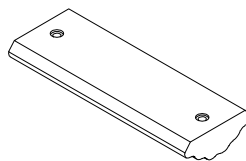
left



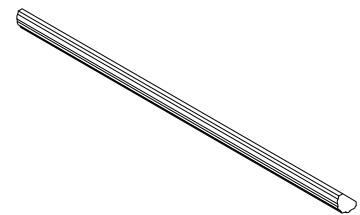
30 X1



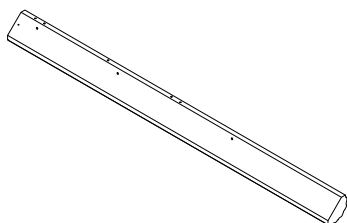
31 X2



32 X2

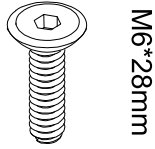


33 X1



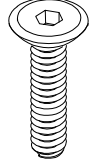
34 X1

Hardware list



M6*28mm

A X90+5



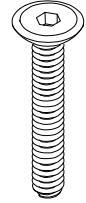
M6*35mm

B X15+1



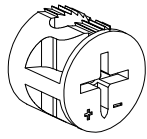
M6*10mm

C X34+2



M6*50mm

D X16+1



Ø9.5*10mm

E X20+2



6*40mm

F X14+1



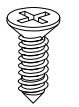
6*30mm

G X8+1



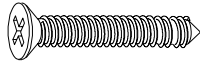
M6*30mm

H X8



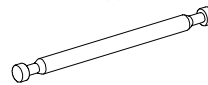
3.5*14mm

I X6+1



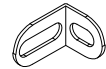
3.5*30mm

J X7+1



5*80mm

K X3



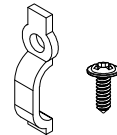
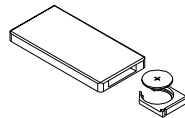
L X2



Remote control X1



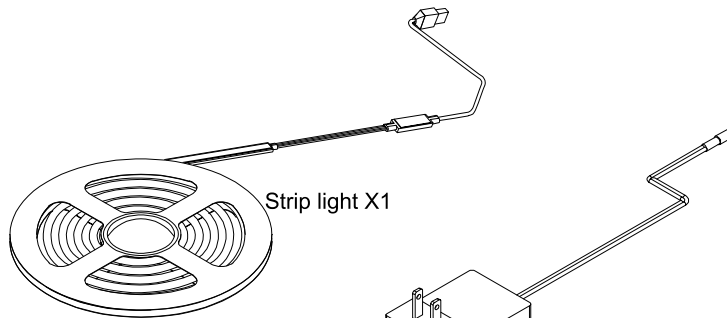
Please remove the plastic film here before using the remote control.



N X16



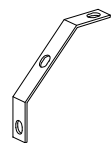
O X3



Strip light X1

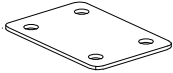
M X1

Plug X1

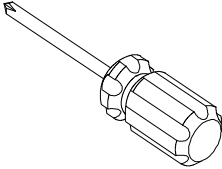


P X2

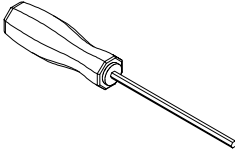
Hardware list



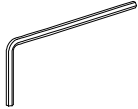
Q X3



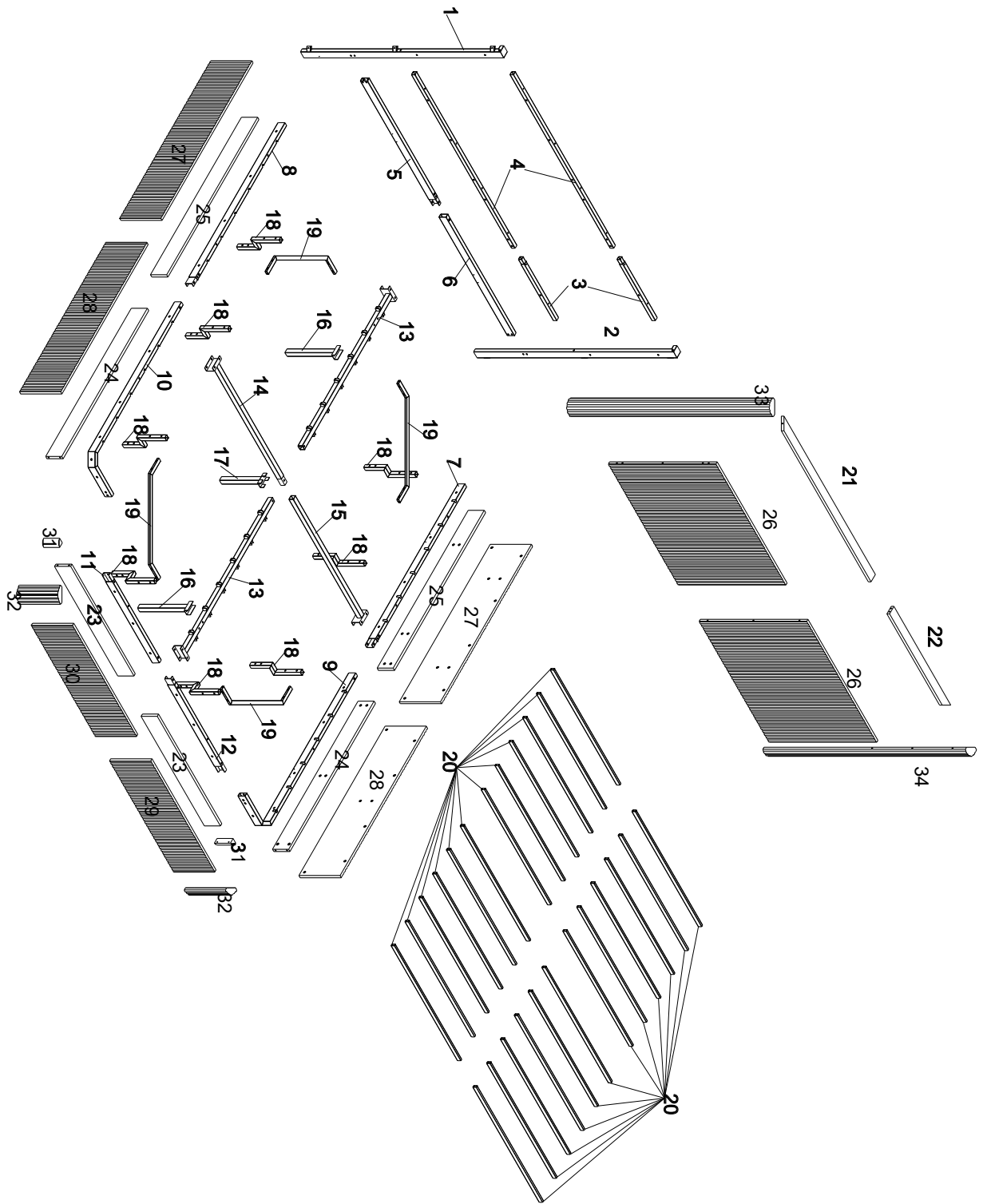
R X1



S X1



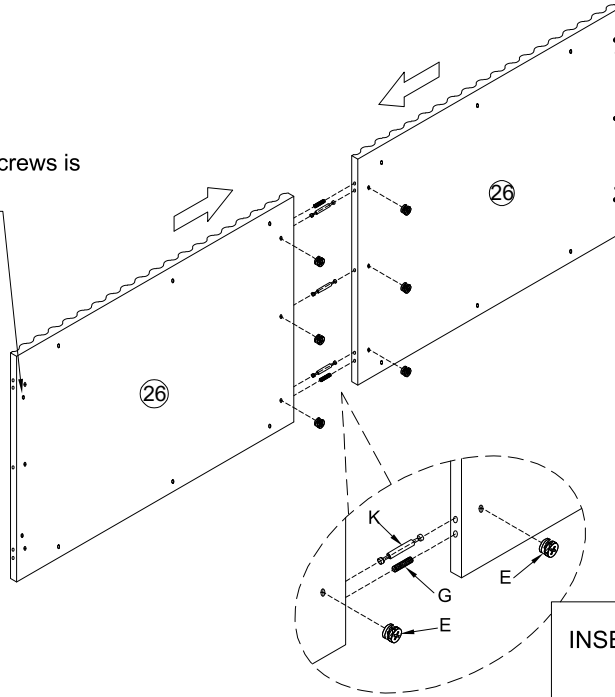
T X1




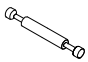


STEP 1

Note: The side with the screws is on the outside.

Note: The side with the screws is on the outside.

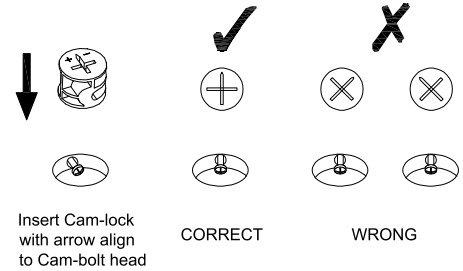


 Align the arrow on the Cam-lock to the Cam-bolt head and insert the Cam-lock. Ensure Cam-lock is fully inserted.

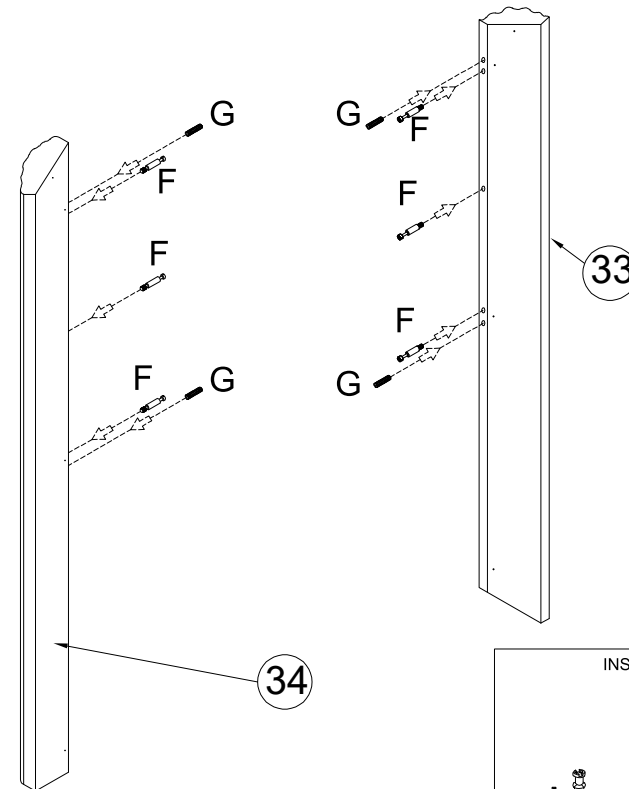
	K×3PCS
	G×2PCS
	E×6PCS



WARNING!!! After locking Component E in place, Component K may shift sideways. If such shifting occurs and the component cannot be locked, make adjustments accordingly.

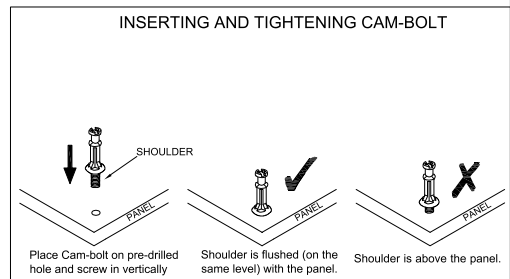
INSERTING AND TIGHTENING CAM-BOLT




STEP 2

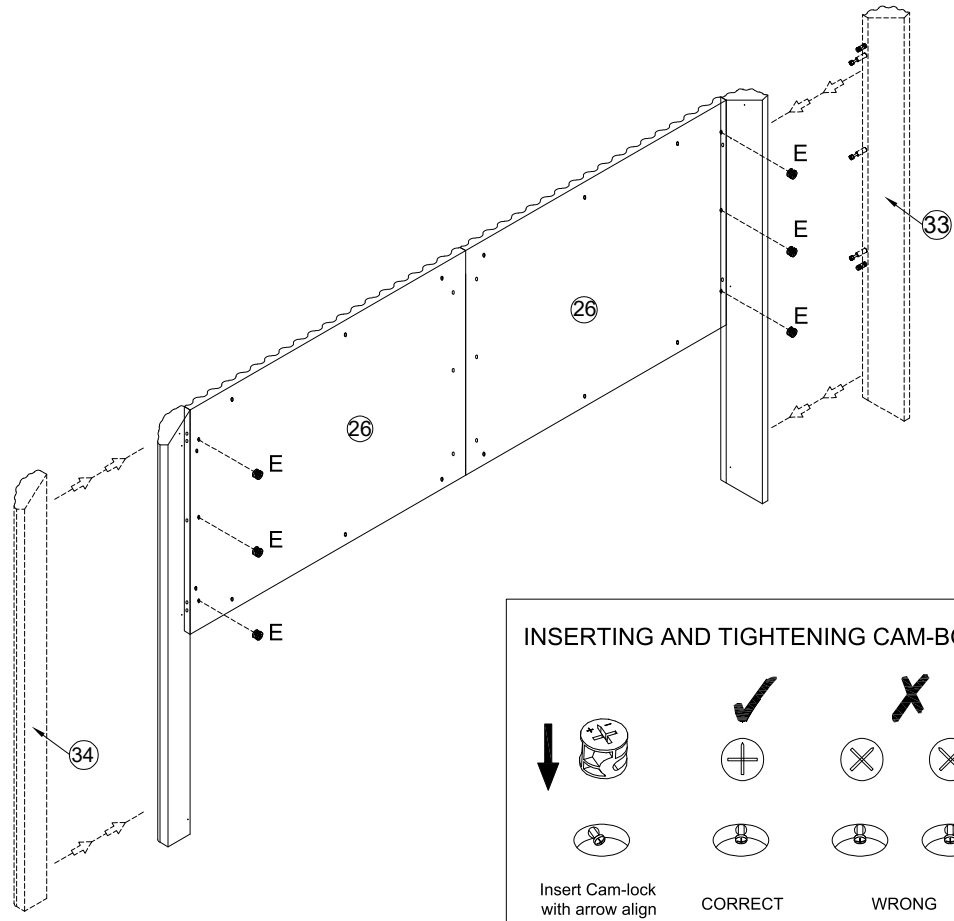



	F×6PCS
	G×4PCS



STEP 3

 Align the arrow on the Cam-lock to the Cam-bolt head and insert the Cam-lock. Ensure Cam-lock is fully inserted.



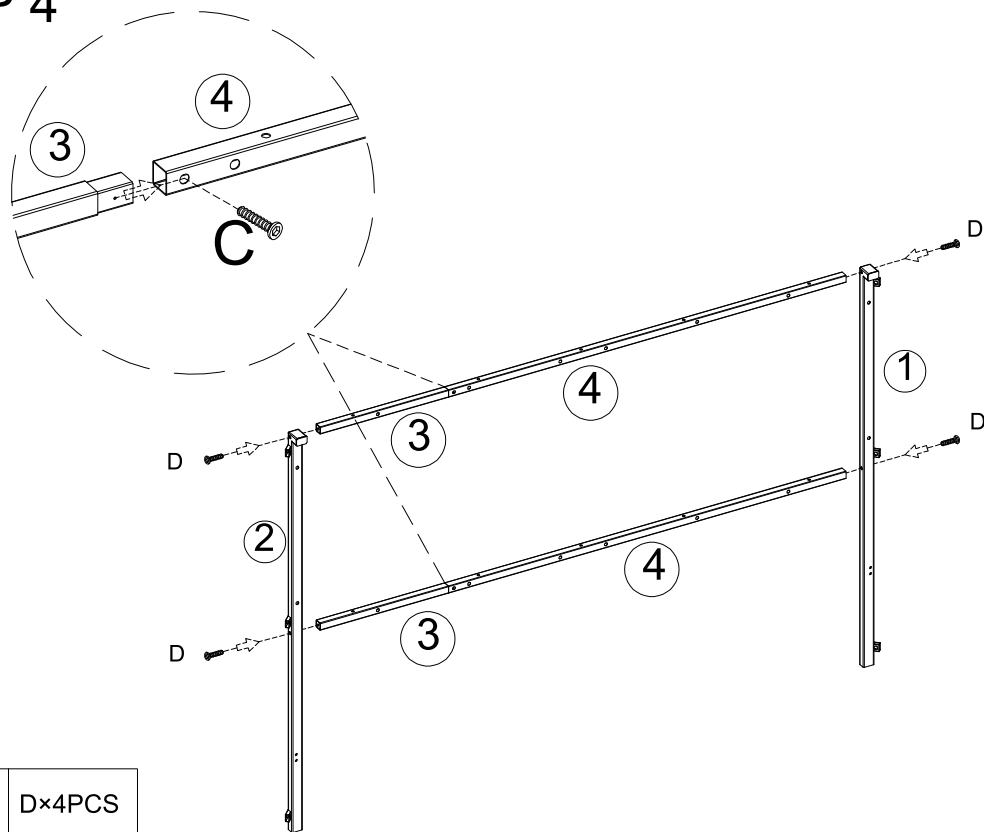
	E×6PCS
---	--------



INSERTING AND TIGHTENING CAM-BOLT

Insert Cam-lock with arrow align to Cam-bolt head

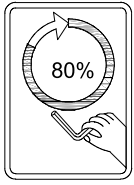
CORRECT WRONG

STEP 4

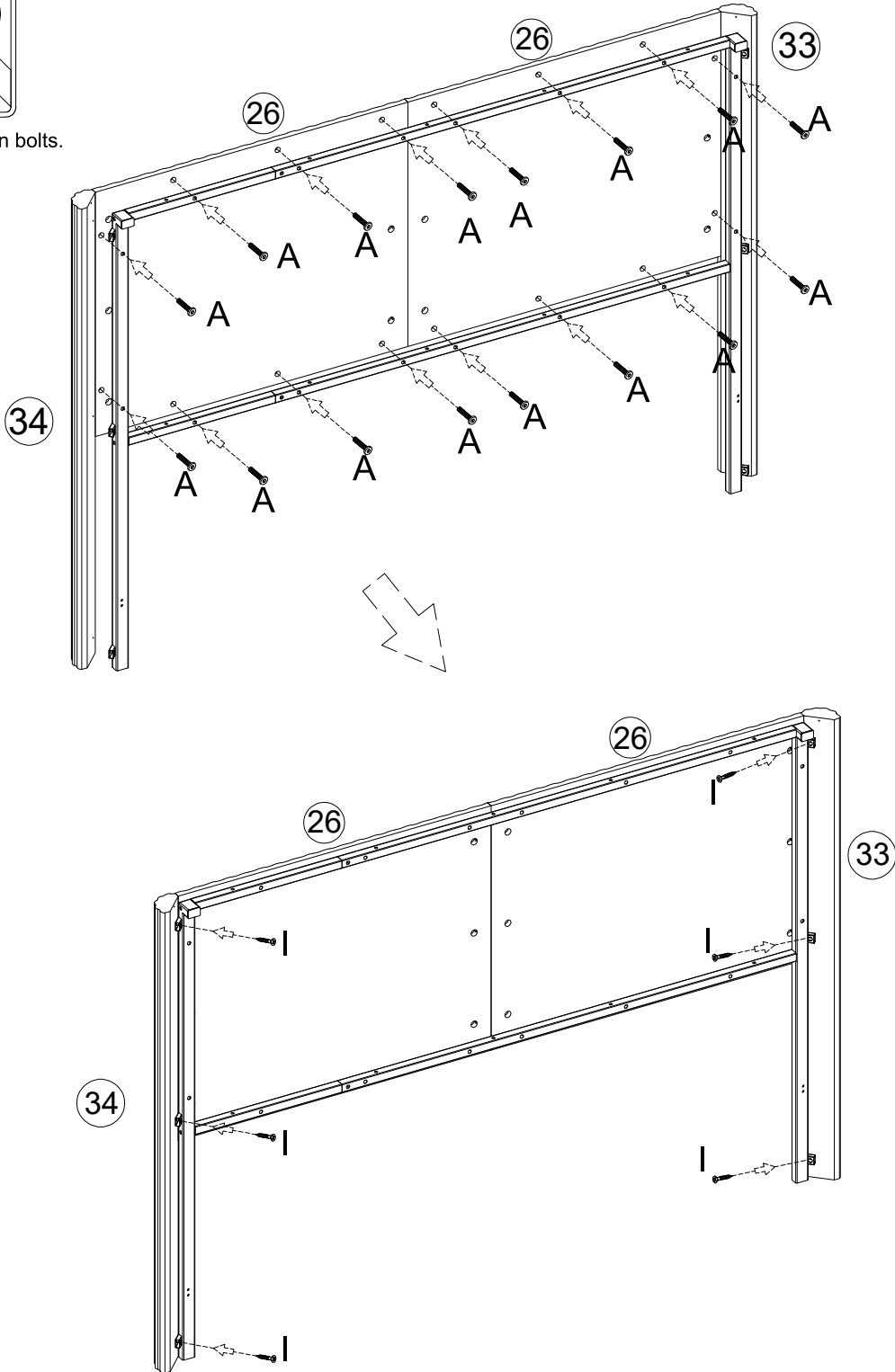




	M6X50	D×4PCS
	M6X10	C×2PCS

STEP 5

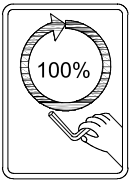


80% tighten bolts.

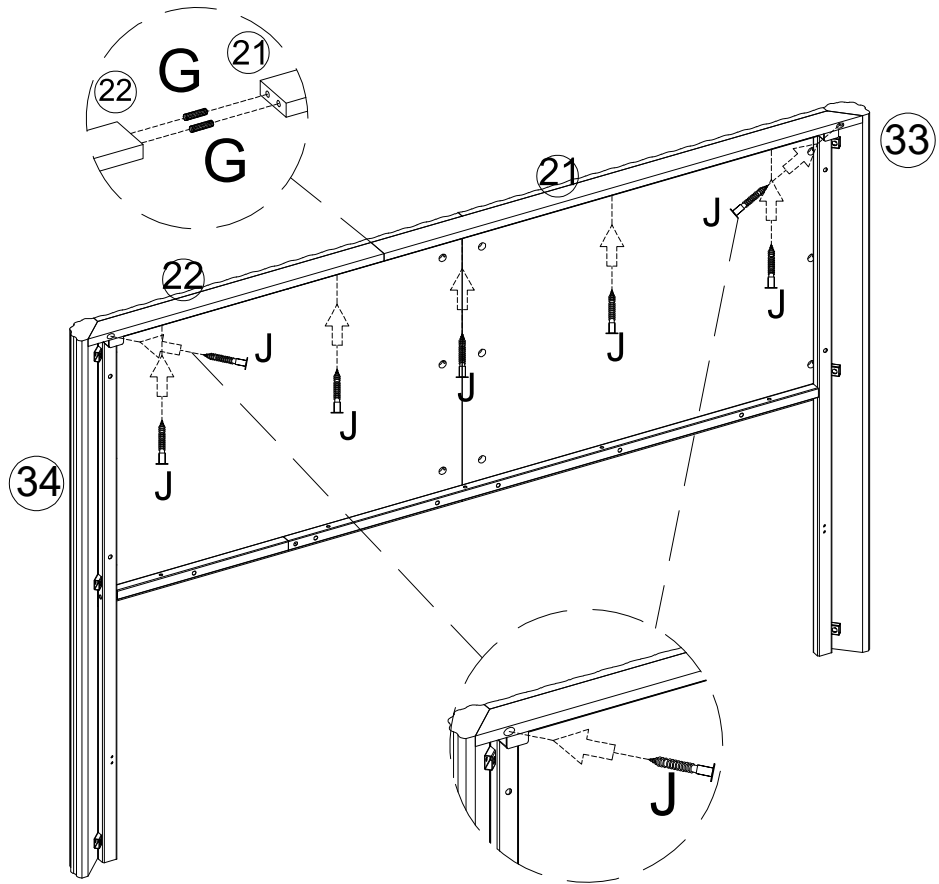


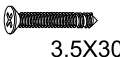

 M6X28	A×16PCS
 3.5X14	I×6PCS

STEP 6

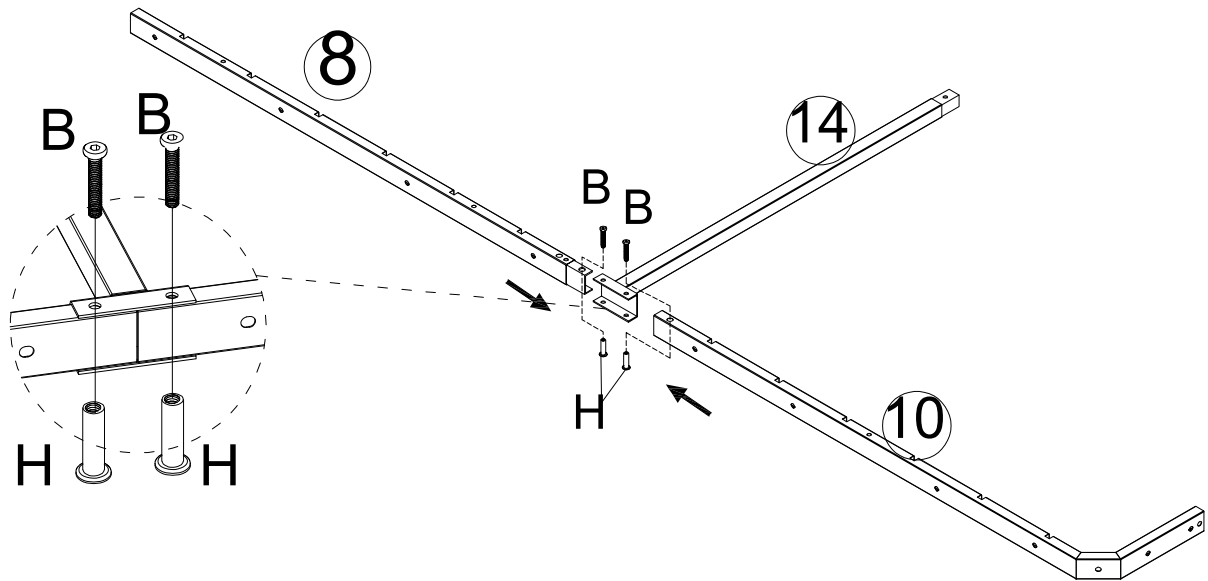




After installation,
tighten the remaining
screws to 100%



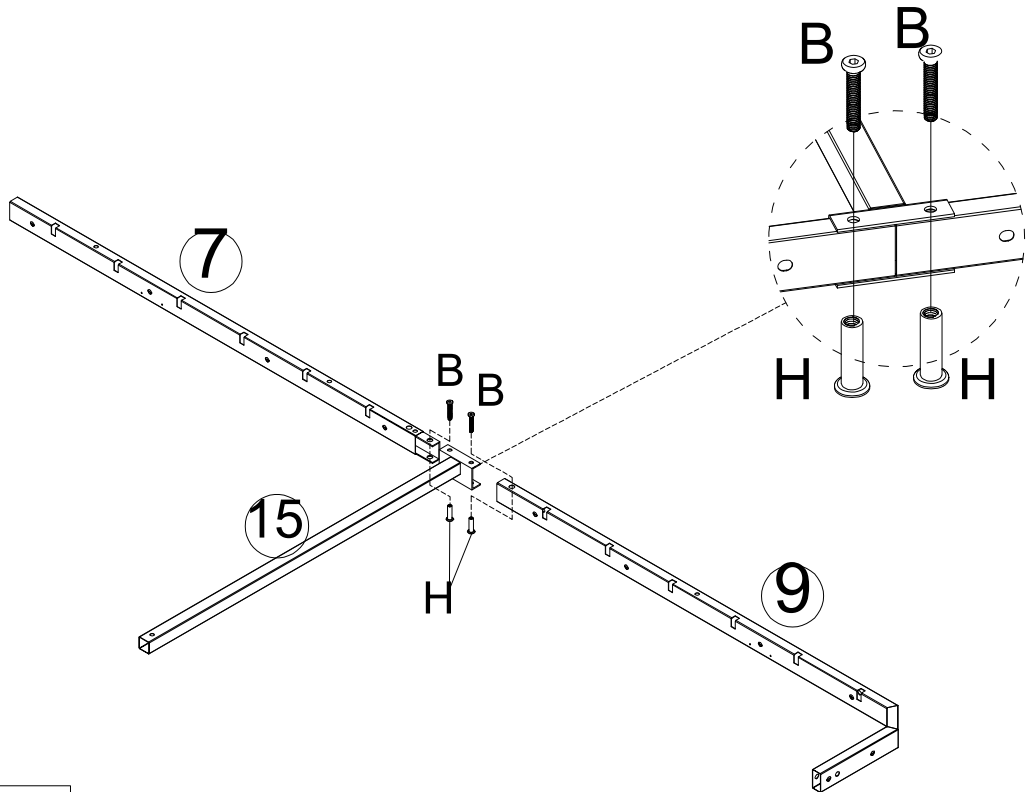
 3.5X30	J×7PCS
	G×2PCS



STEP 7



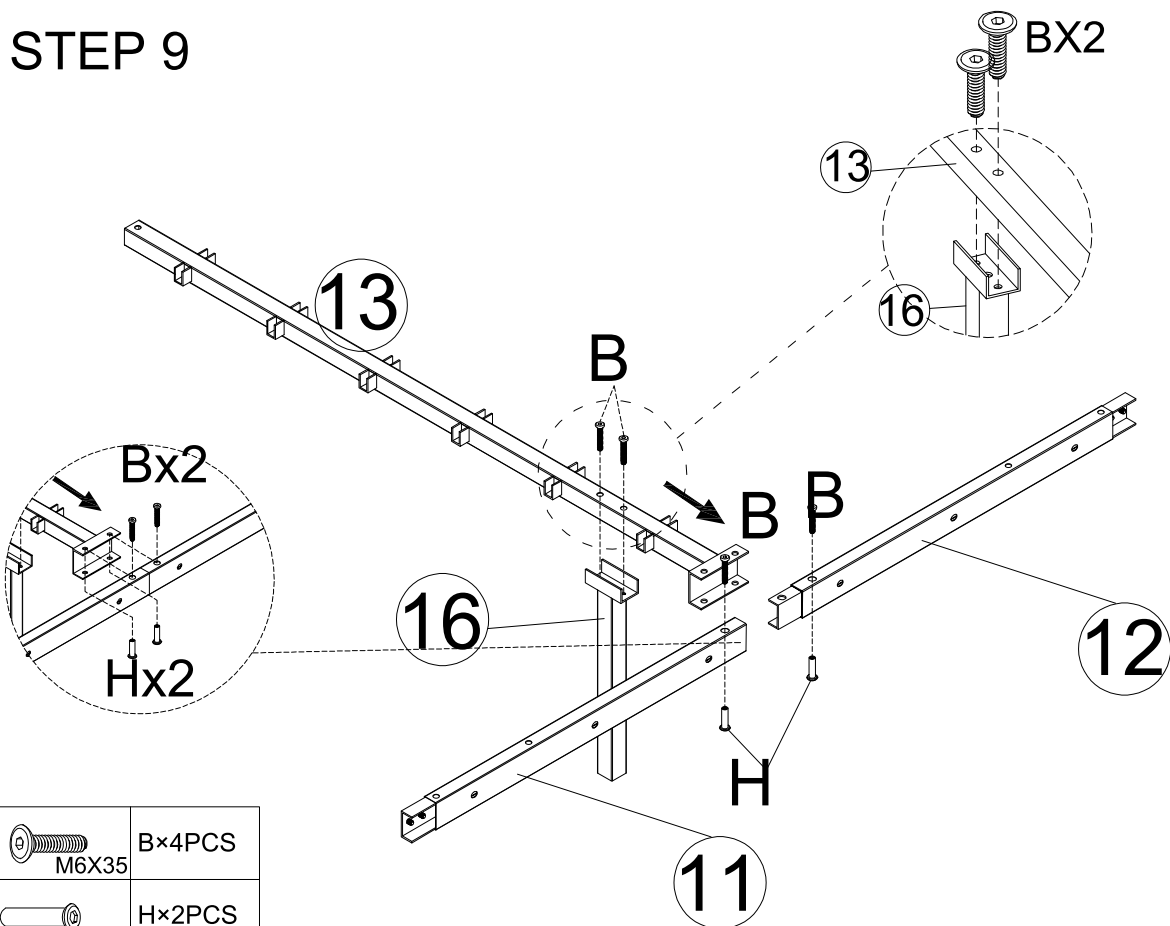
 M6X35	B×2PCS
	H×2PCS



STEP 8



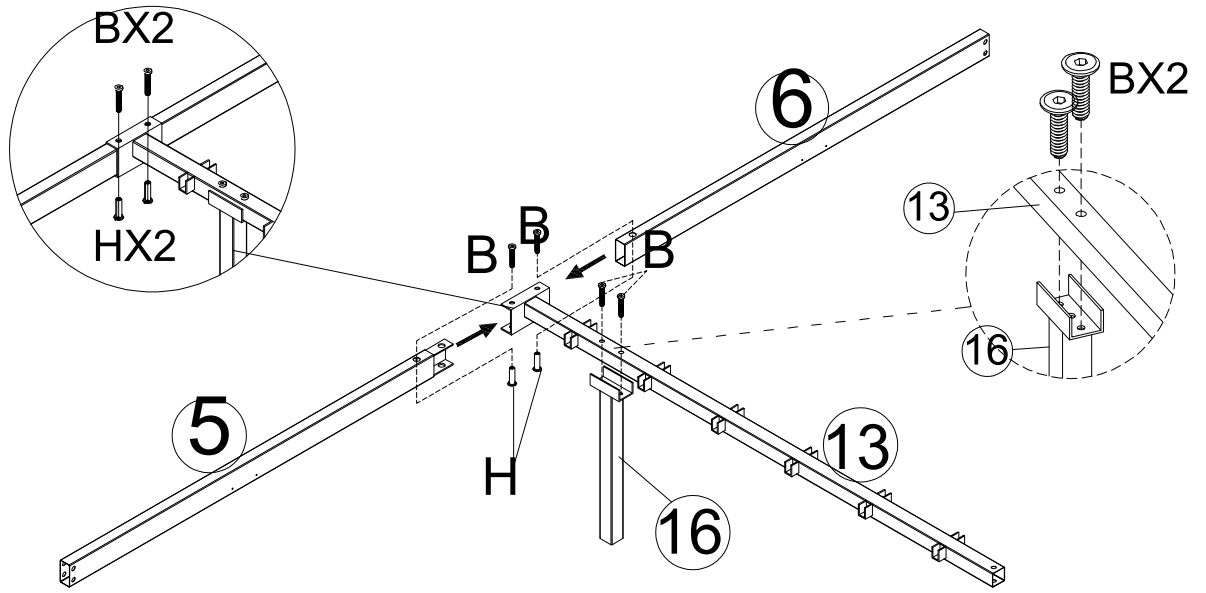
	B×2PCS M6X35
	H×2PCS



STEP 9



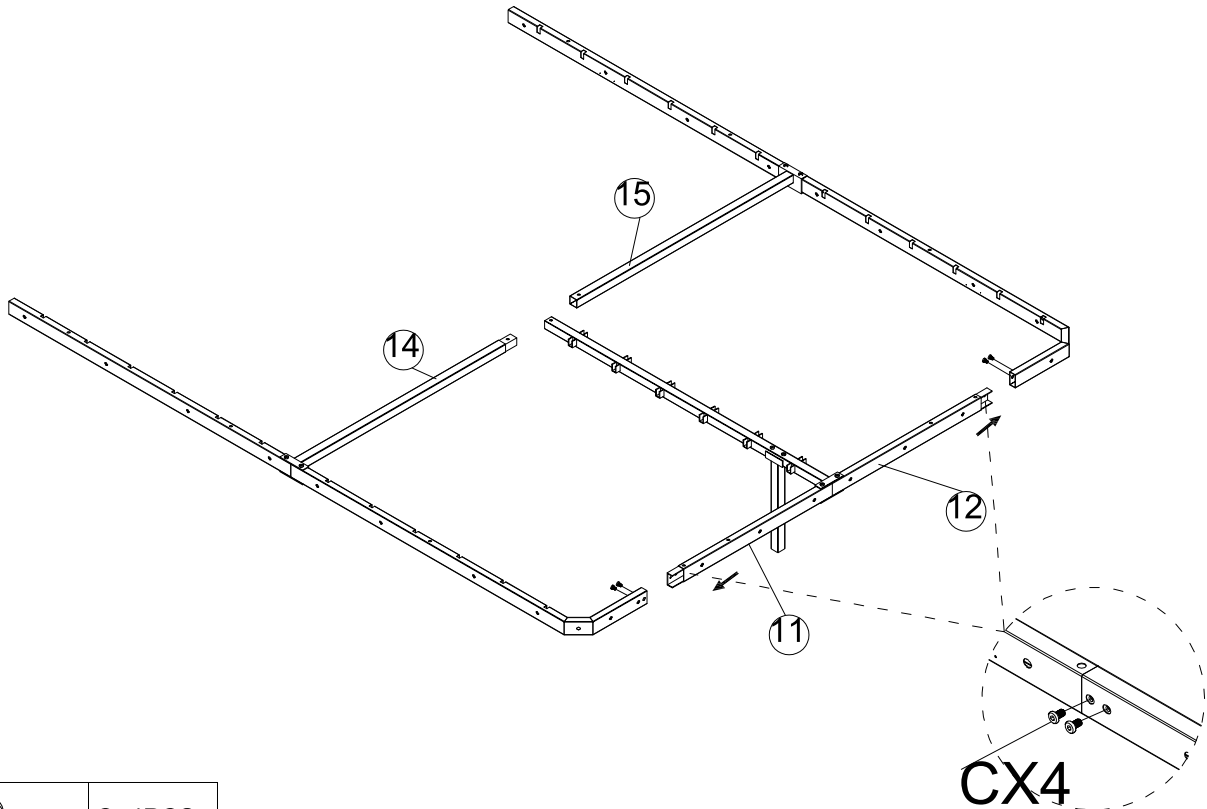
	B×4PCS M6X35
	H×2PCS


STEP 10



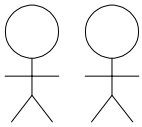
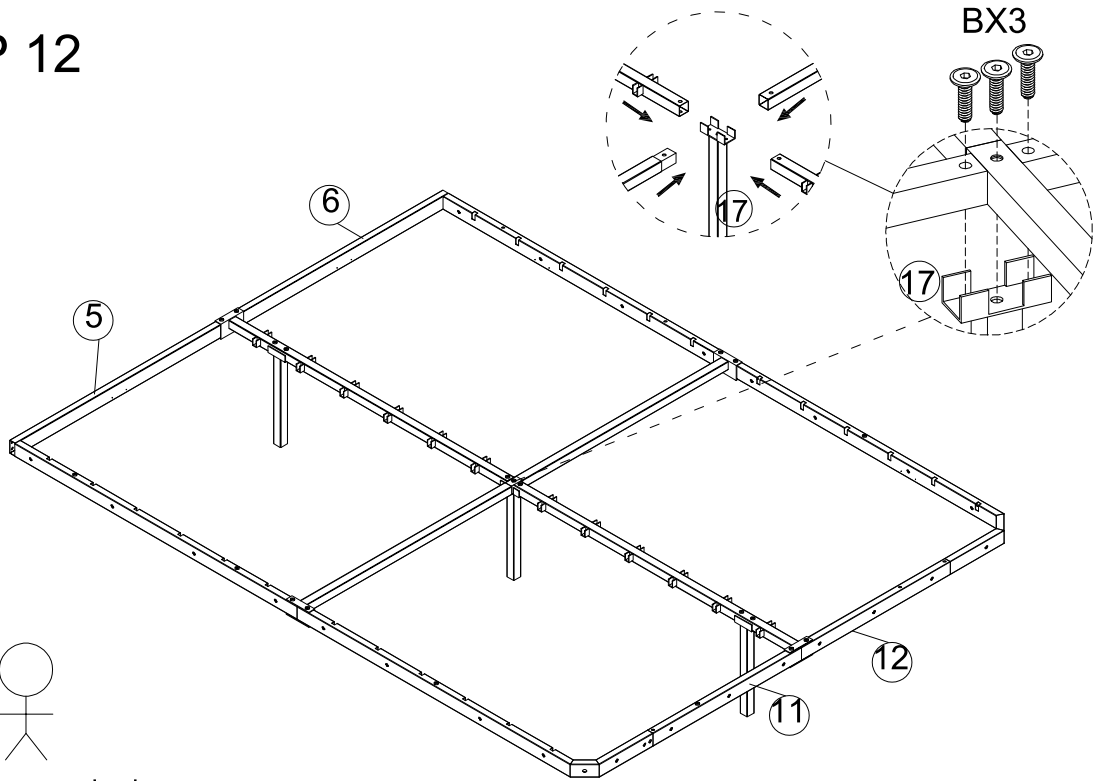
 M6X35	B×4PCS
	H×2PCS

STEP 11



 M6X10	C×4PCS
--	--------

STEP 12



Two people are required for the operation.



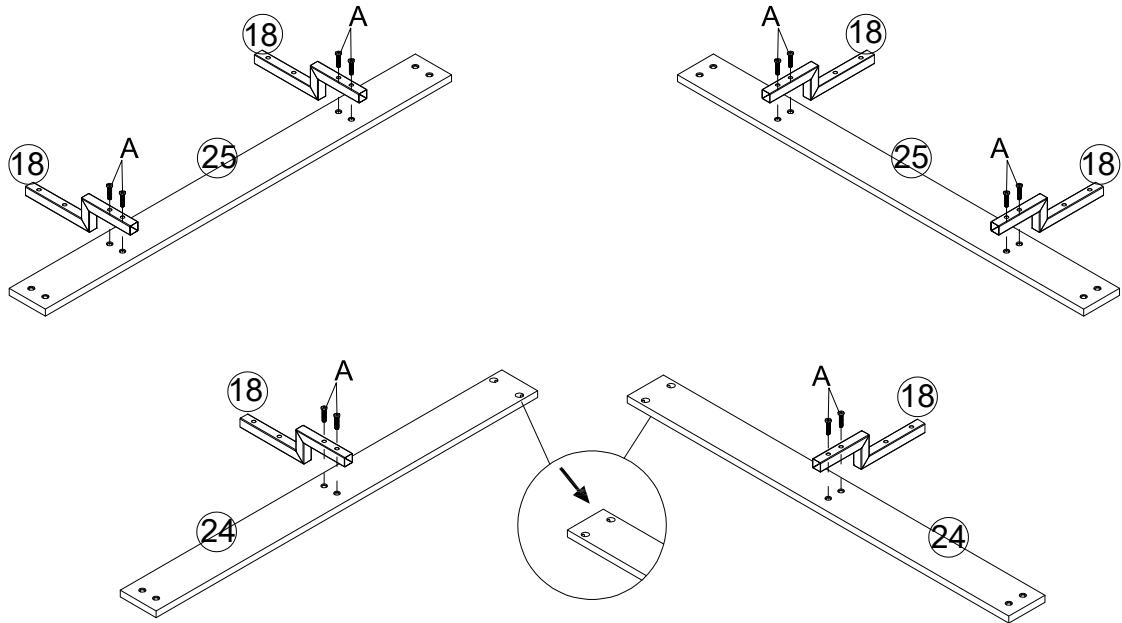
Kind reminder: According to the previous steps, The pipes located on the four sides must be accurately aligned and inserted into each other, Insert into the card slot, otherwise the wooden board will not be installed in place.



M6X35

B×3PCS

STEP 13



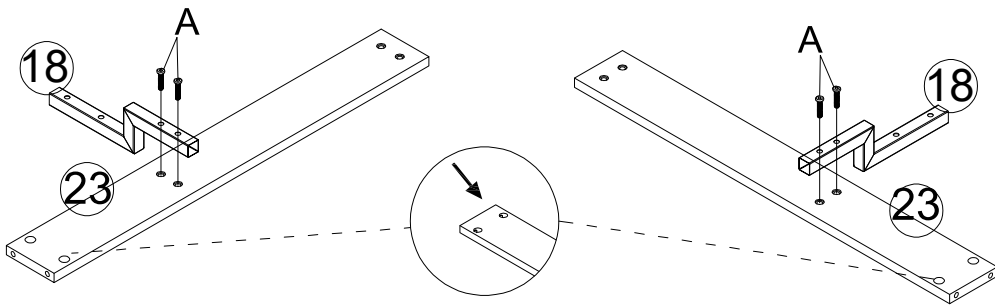
Please pay attention to the direction!!



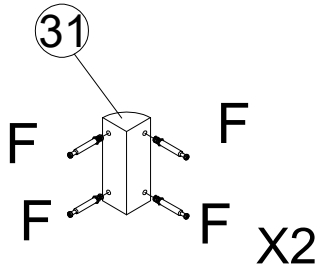
M6X28

A×12PCS

STEP 14

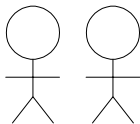
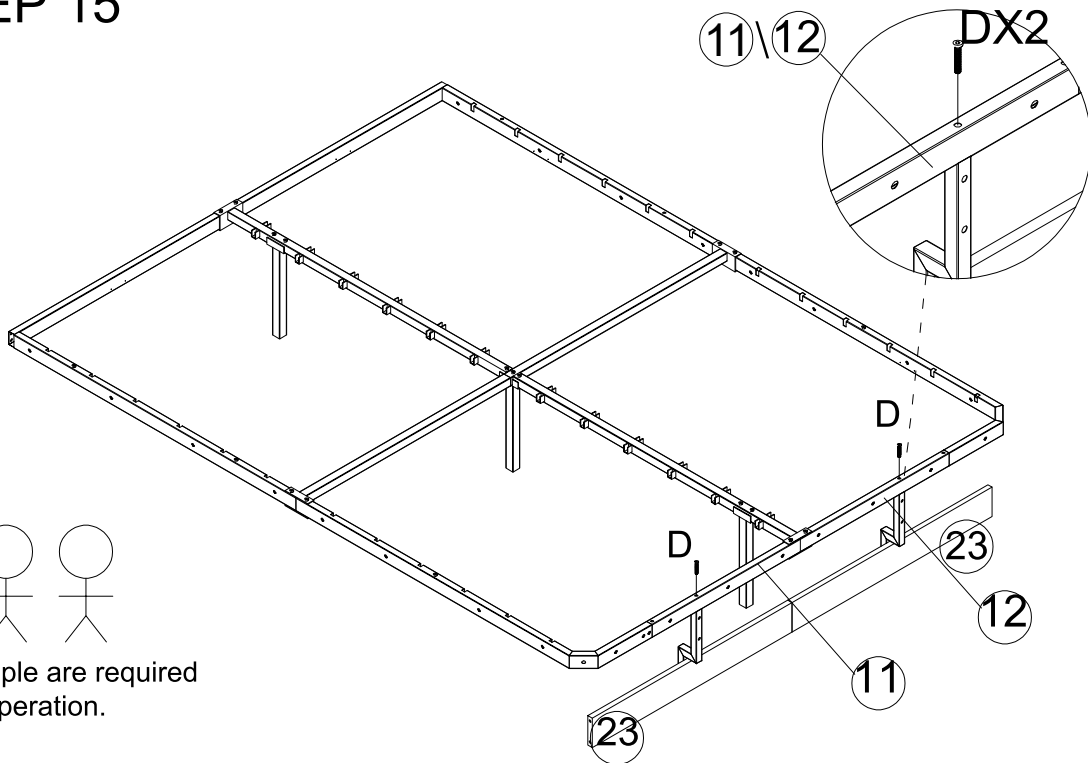


Please pay attention to the direction!!



	F×8PCS
 M6X28	A×4PCS

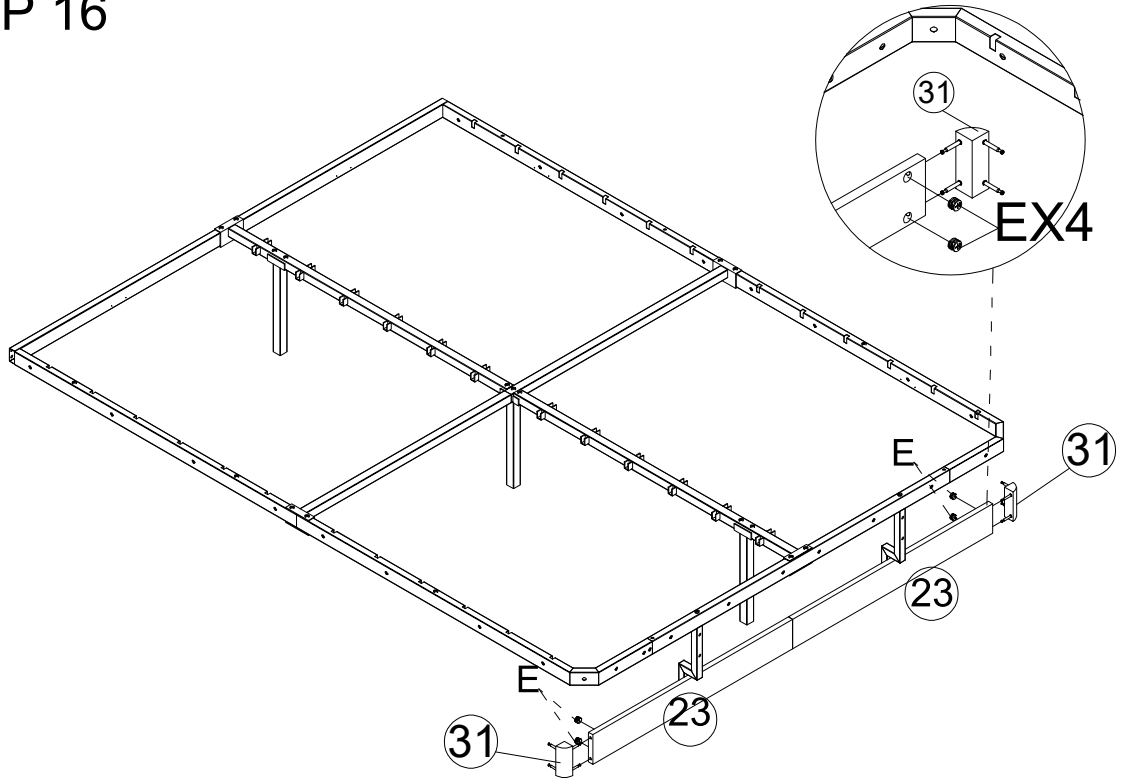
STEP 15



Two people are required for the operation.

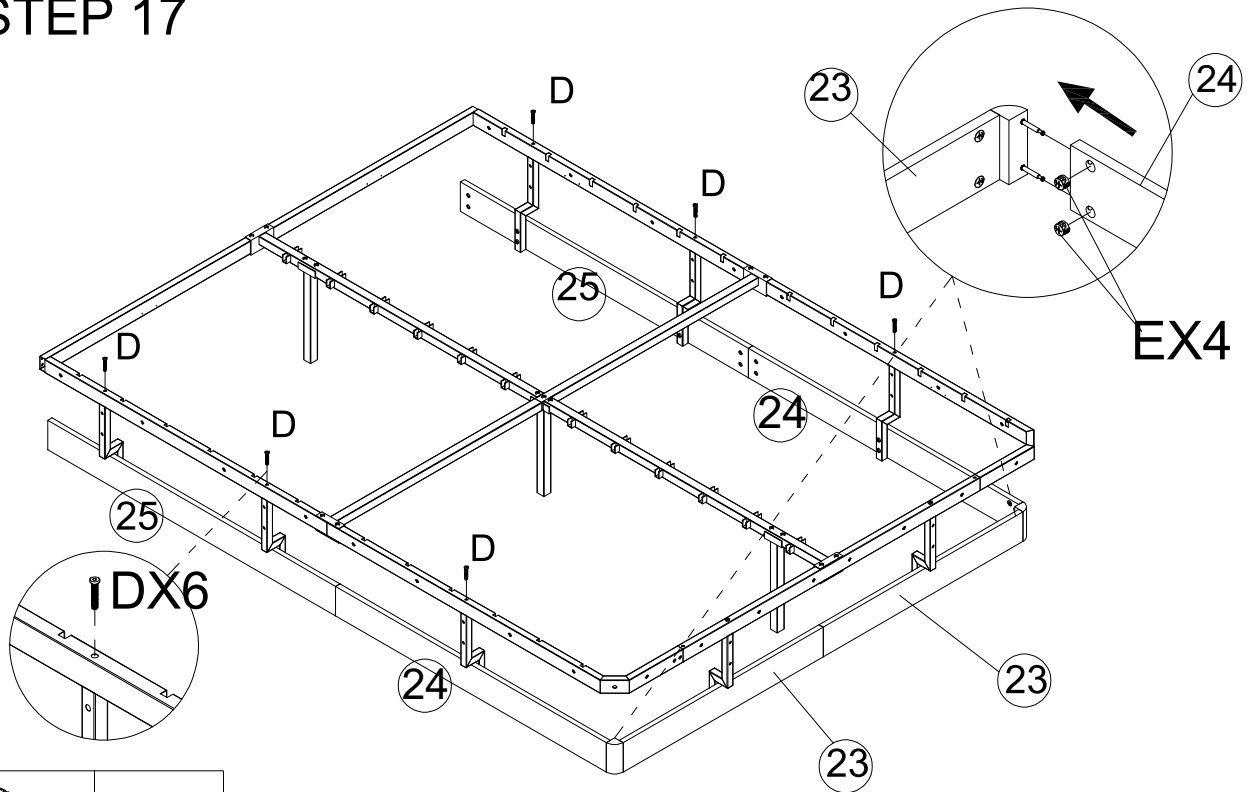
 M6X50	D×2PCS
-----------	--------

STEP 16



E×4PCS

STEP 17



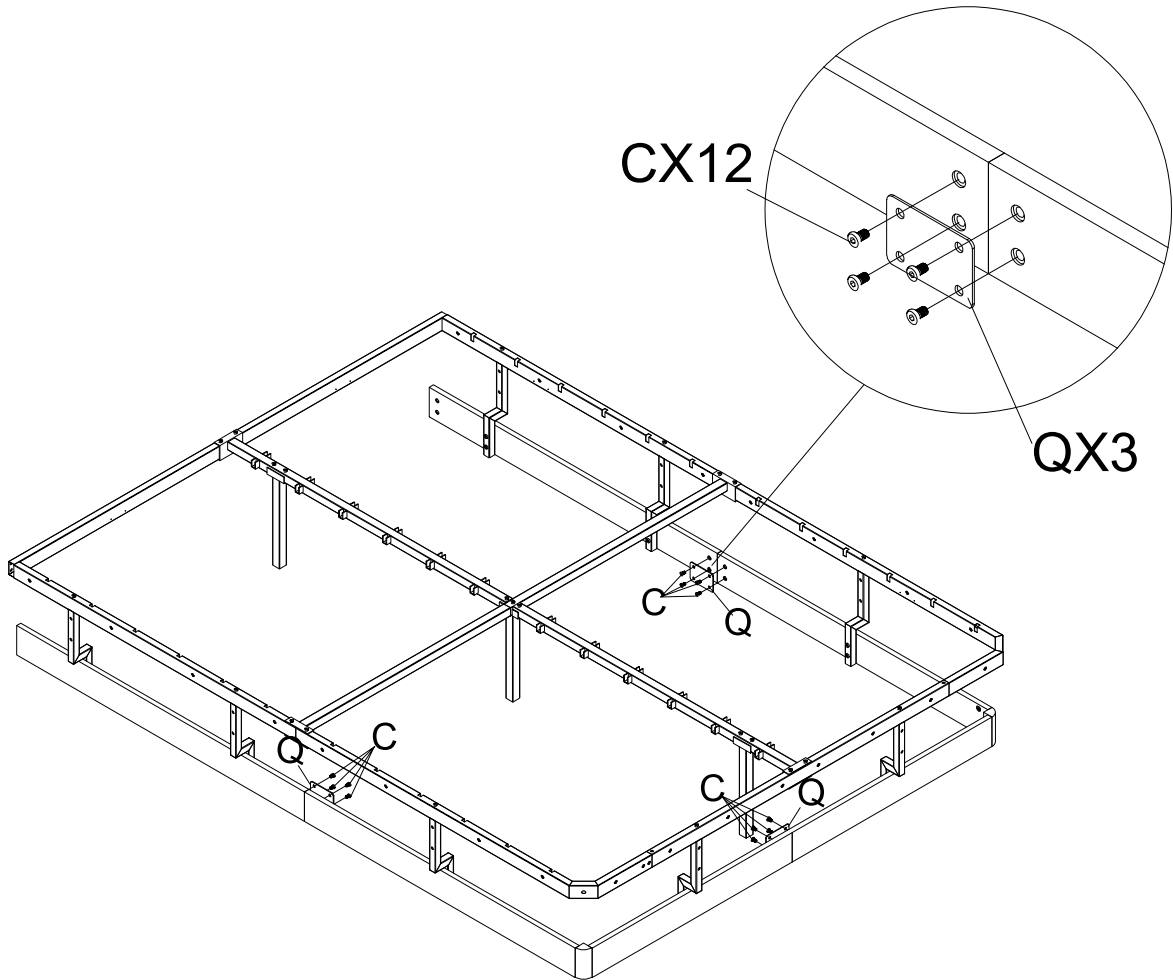
E×4PCS


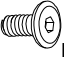


M6X50

D×6PCS

STEP 18



	Q×3PCS
 M6X10	C×12PCS

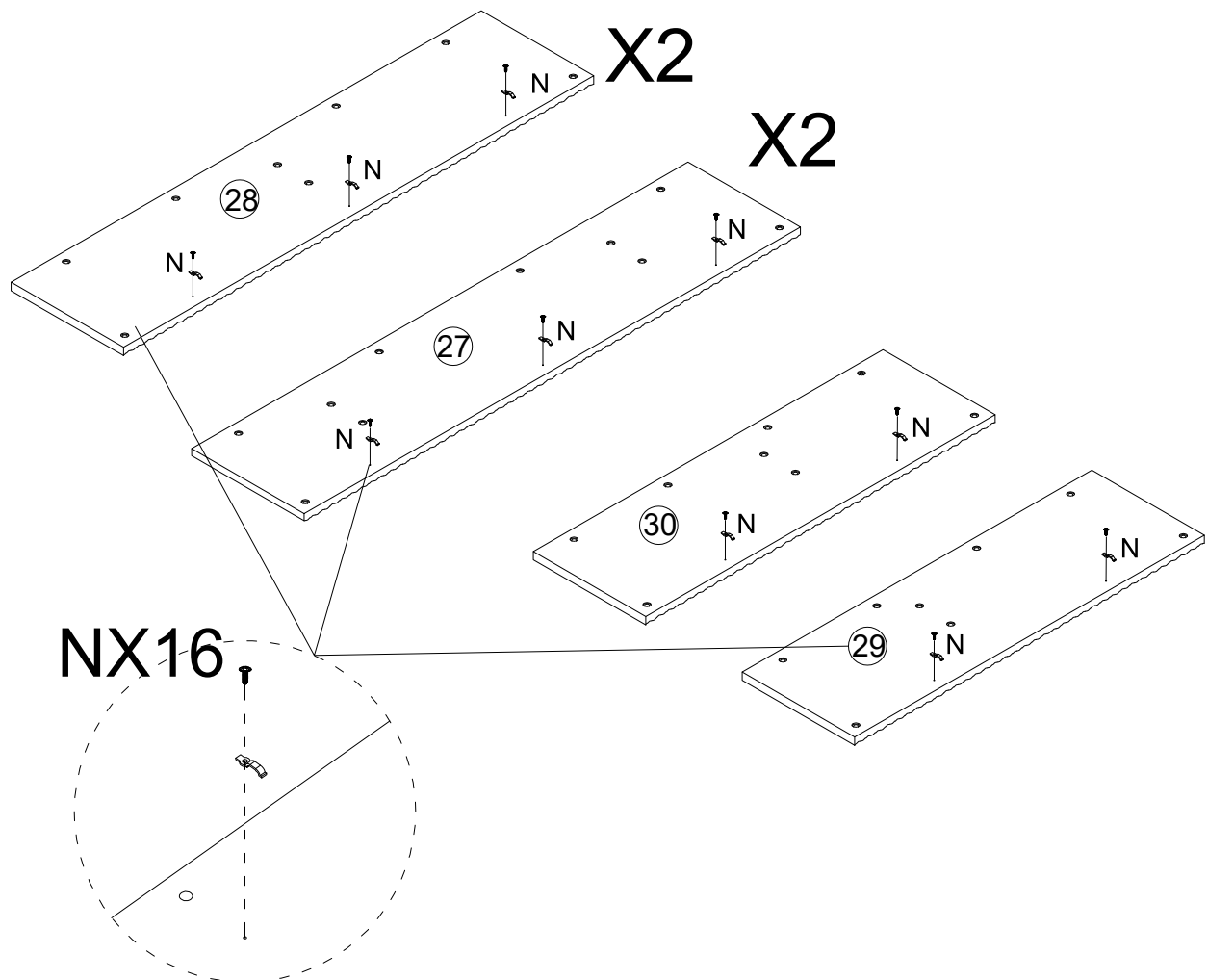
STEP 19

1. Take out foam from the package and lay it flat on the ground.
2. Take out the six wooden boards one by one (numbered 27 , 28, 29, 30).
3. For better installation, please use this R accessory screwdriver to lock the N accessory, locking it 50%.
4. After completing the above steps, continue with step 19 of the instruction manual until step 24 locks the N part to 100%.



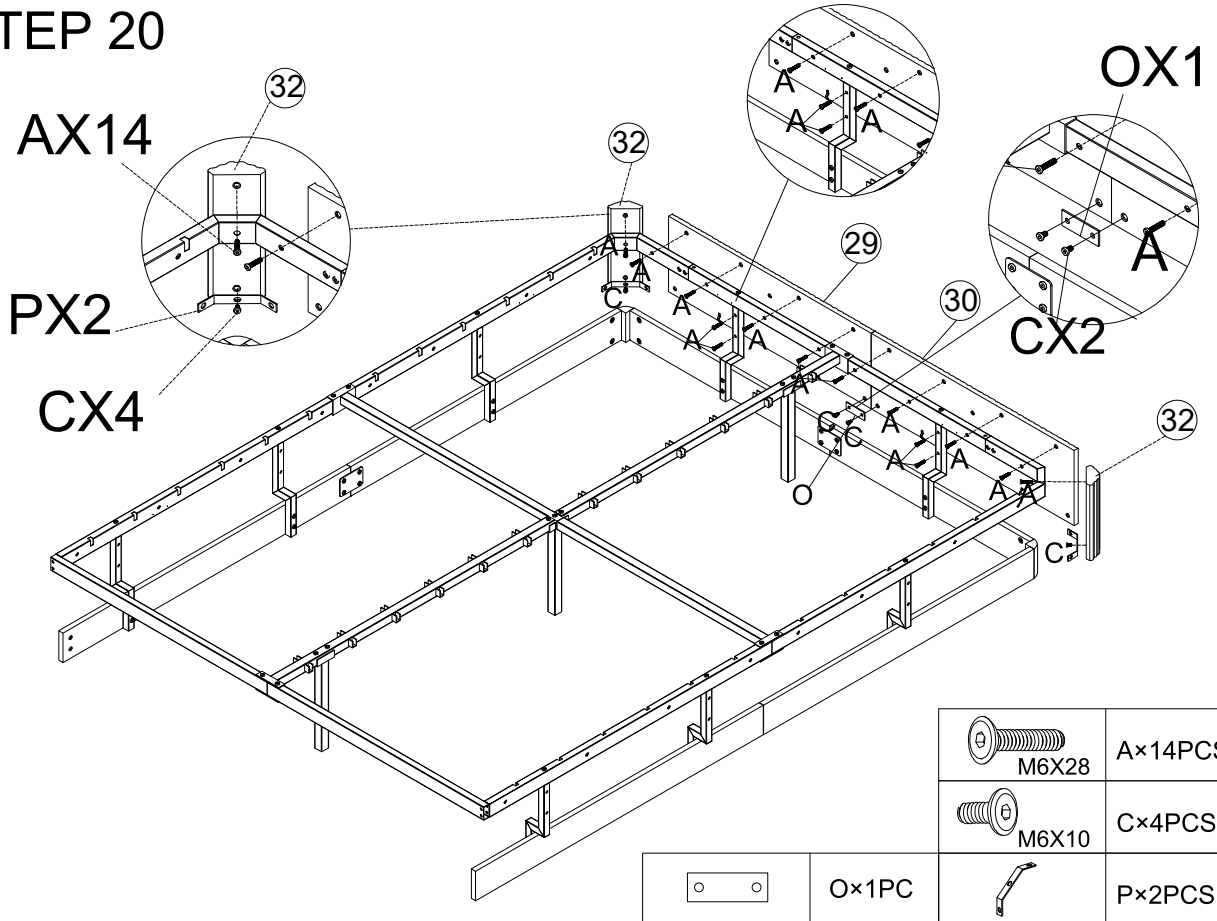
Reminder: Pay attention to safety during installation and do not get your hands injured by screws.

Please lay it flat on the foam to avoid damage to the wavy shape of the board

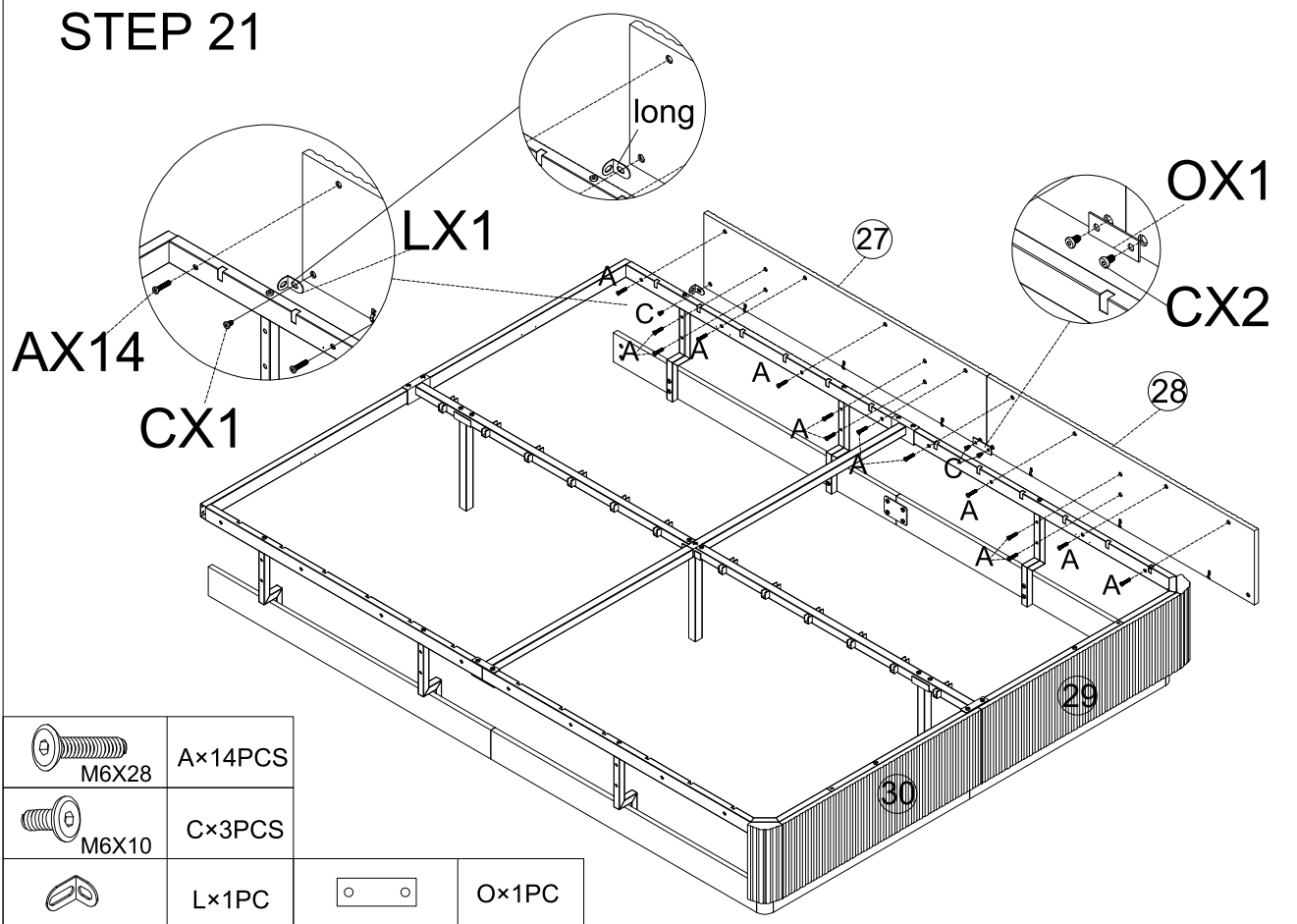


N×16PCS

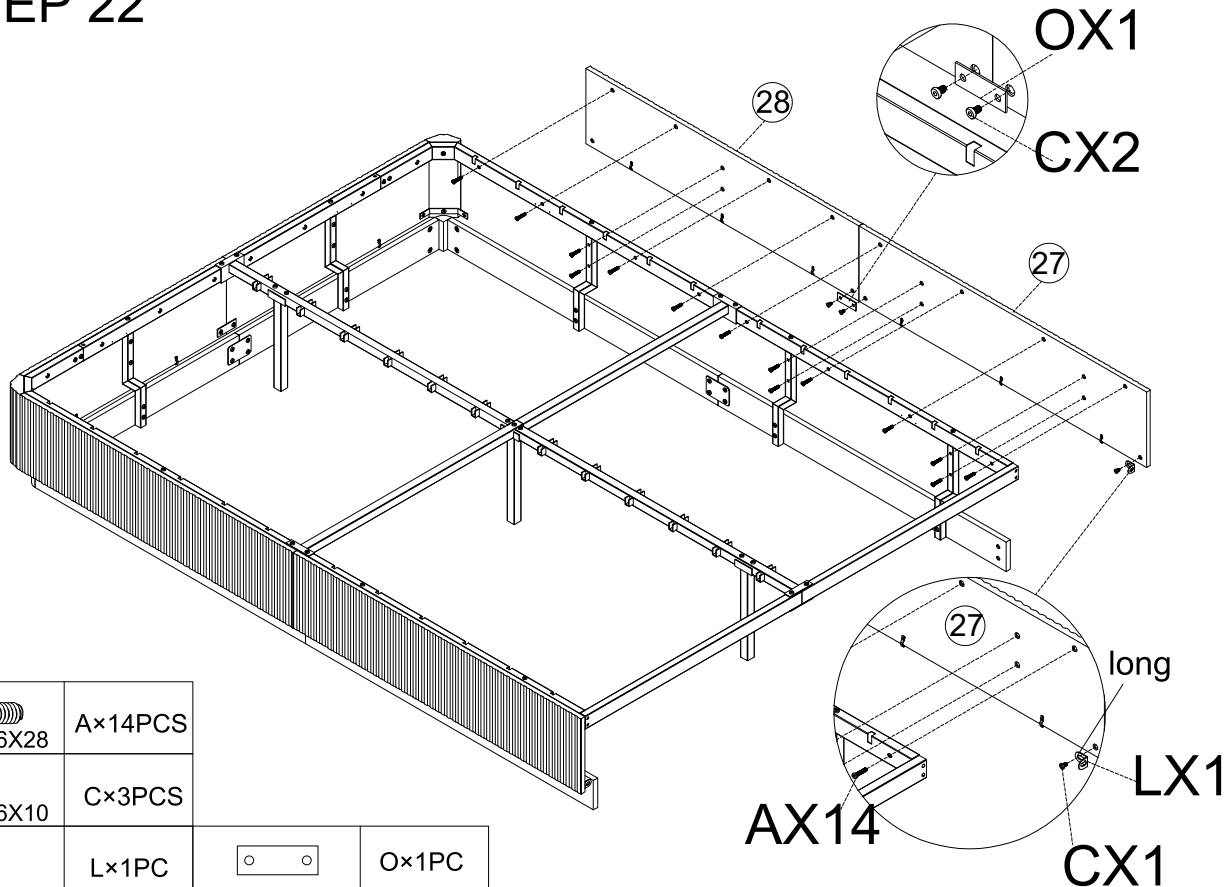
STEP 20



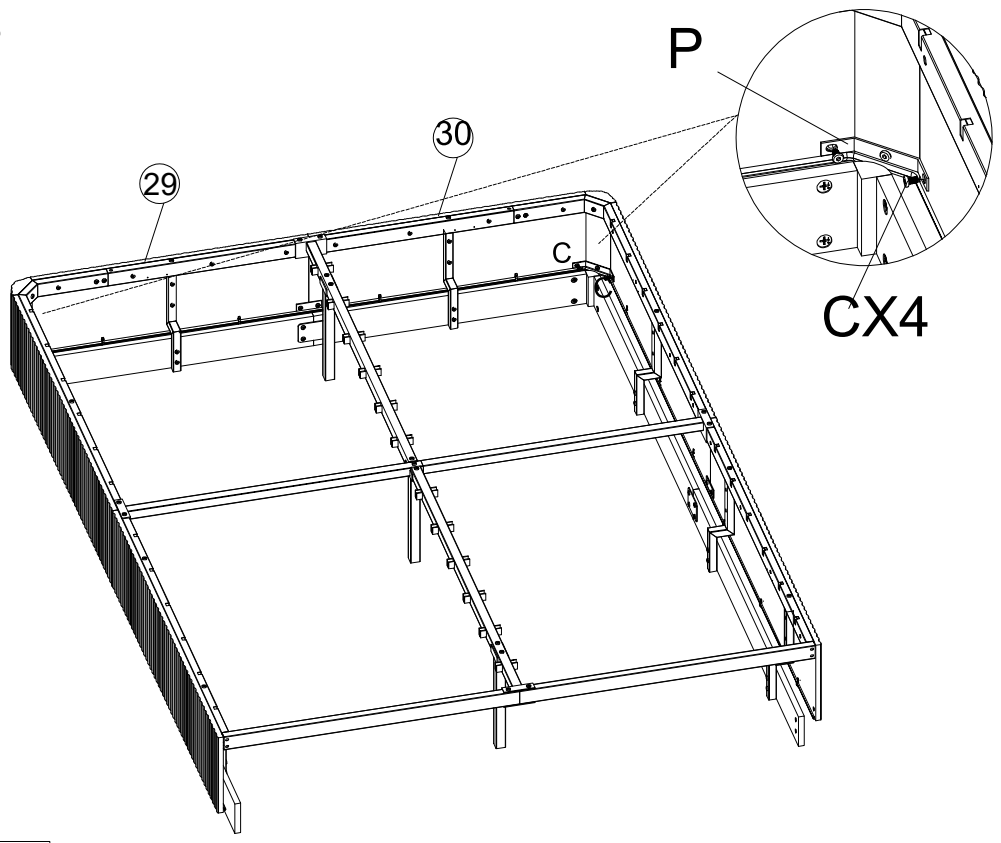
STEP 21




STEP 22

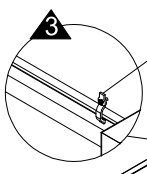
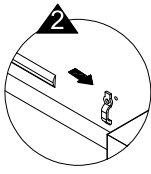
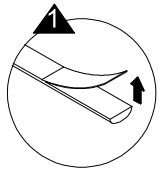


STEP 23

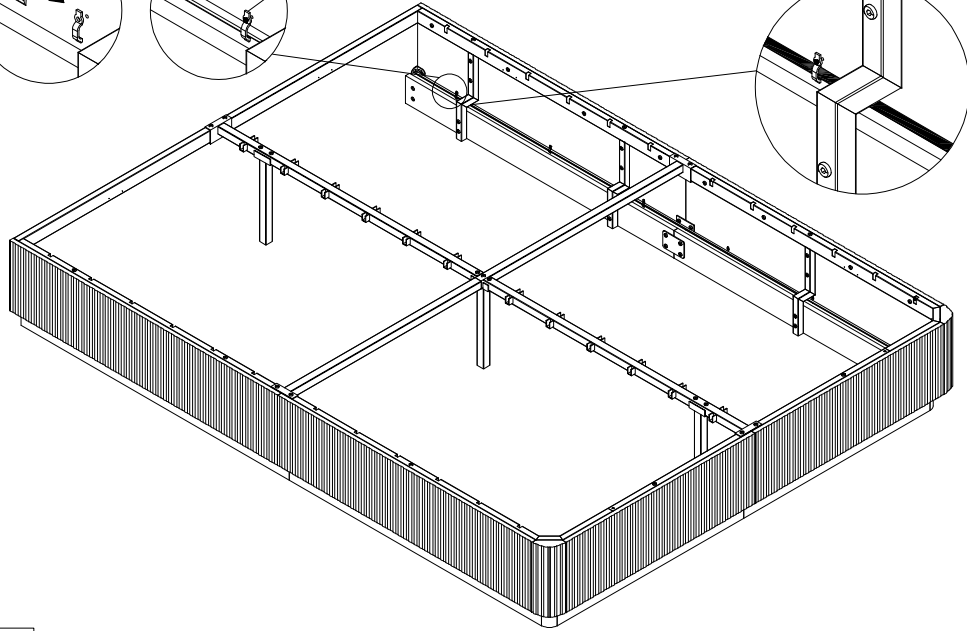


 M6X10	C×4PCS
--	--------

STEP 24

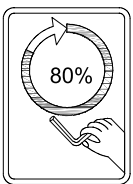
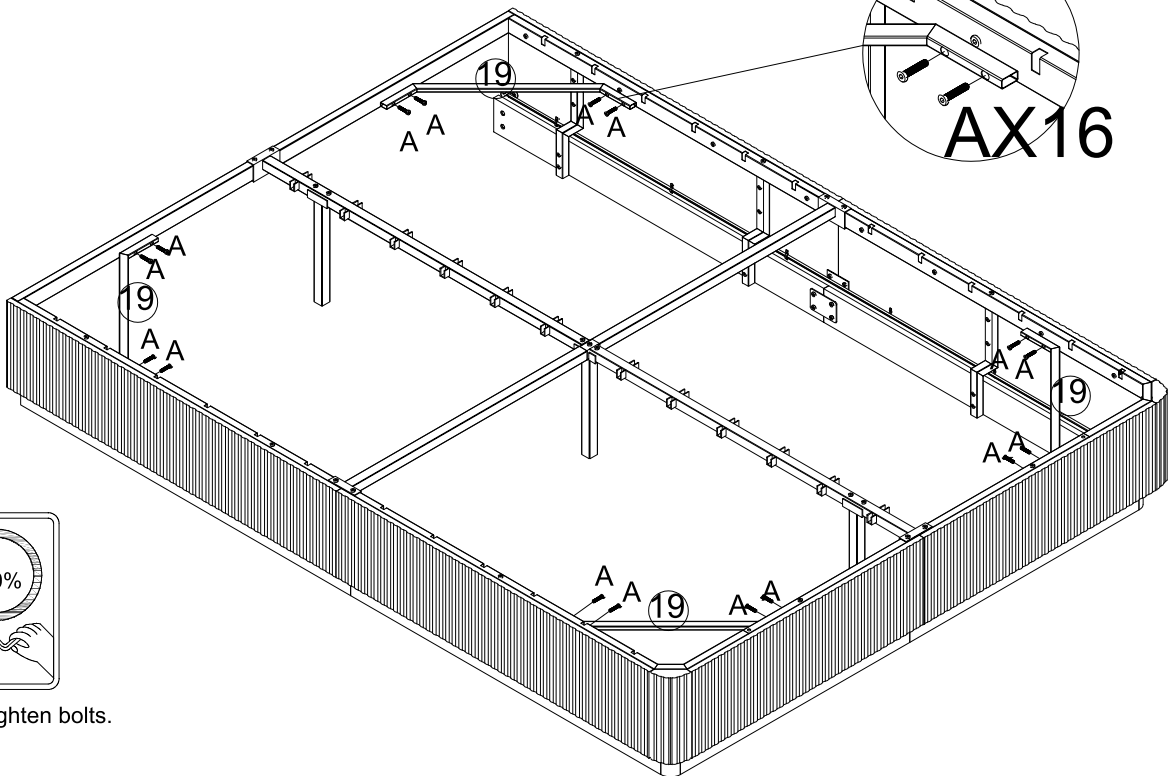


After all the light strips are assembled, fasten the screws on the light strips fully tight.



M×1PC

STEP 25



80% tighten bolts.



M6X28

A×16PCS

STEP 28

Complete Assembly

