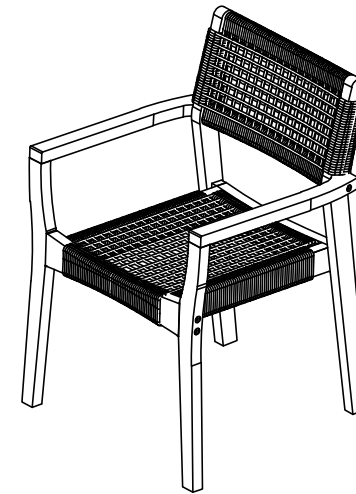
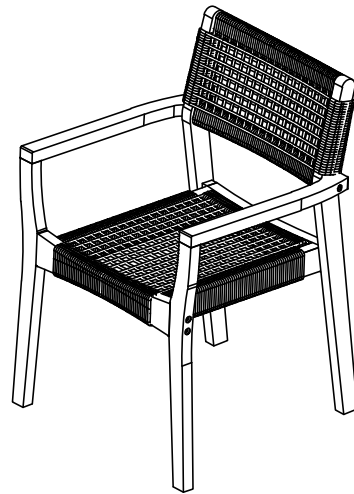
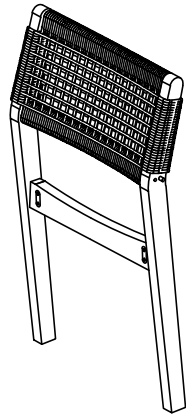


ASSEMBLY INSTRUCTIONS

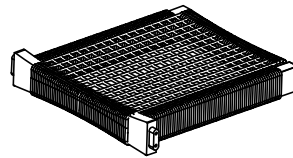


A



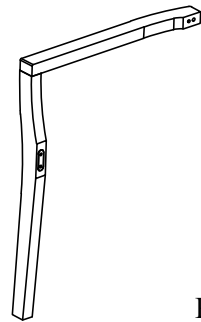
Backrest x 2

B



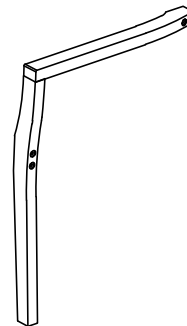
Seat Panel x 2

C



Right Leg x 2

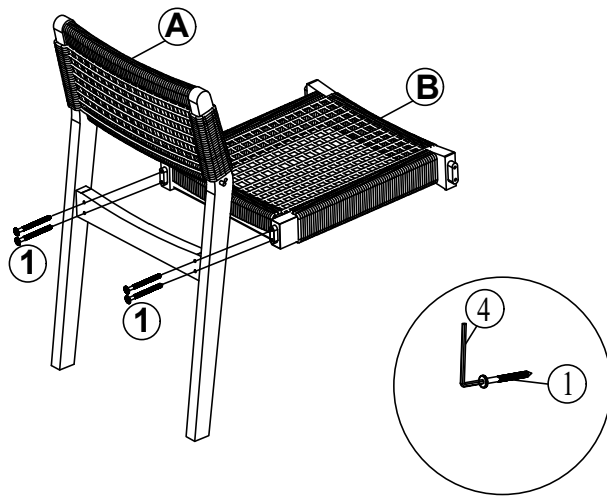
D



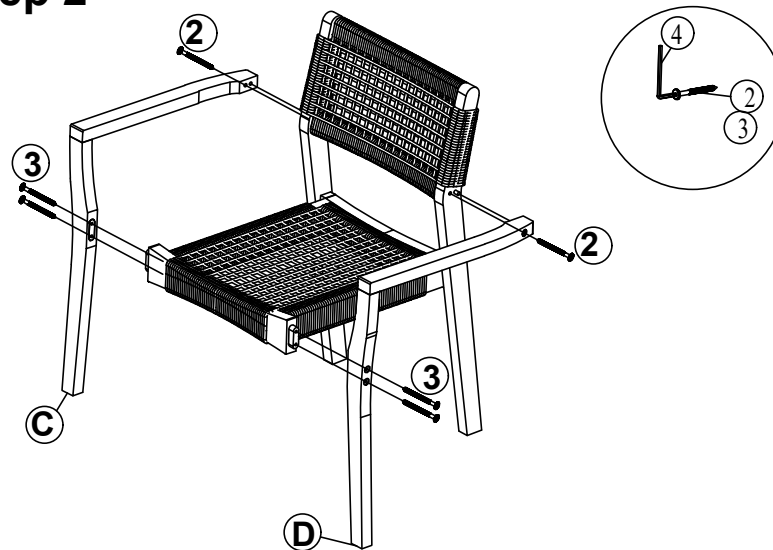
Left leg x 2

No	Hardware	Fig	Q.ty
①	Screws (7 x 60)mm		10
②	Screws (7 x 70)mm		4
③	Screws (7 x 90)mm		10
④	Allen key		2

Step 1



Step 2



Step 3

