

To construction companies Thank you for purchasing the Wall Mount Drying Rack.

- This product is intended for indoor use in residential households.
- Please refrain from using this product outdoors or in areas such as the bathroom where the product may come into contact with water.
- Please read this Owner's manual carefully and make sure you use this indoor Wall Mount Drying Rack in a proper and safe manner.
- We shall not be liable for any accidents or damage incurred by installing the product in any manner other than as provided in these installation Instructions, or without using parts specified. Our warranty does not apply to defects resulting from construction.
- Make sure to give the Owner's Manual to the customer.

Installation Manual

Wall Mount Drying Rack
Product number: CWFE14CM

To Customers

- Make sure you obtain and read the Owner's Manual carefully to ensure safe use of this product.

1. Safety Precautions

Please follow these instructions

The following instructions should be followed to prevent injury and damage.

- Each of these explains what harm and damage may be incurred by incorrect use.

- This following symbols explain what you may and may not do (The following are examples of these symbols)



WARNING

Indicates a risk of death or serious injuries



CAUTION

Indicates a risk of minor injuries or property damage.



What you may not do.



You must do.



WARNING

Do not modify, disassemble or repair this product.
This may cause injury or product failure.



Do not disassemble



Make sure to observe

- Install the rack on an area that will support its weight. Improper installation may cause injury due to falling.
- Use supplied screws. Use specialized anchors if mounting on a concrete wall.
- Not using the supplied screws may cause injuries due to falling.



CAUTION



Forbidden



Make sure to observe

- Do not stand in front of the rack while pulling the operation cord. The rod may pop out and cause injuries.
- Do not use other rods except the designated one. A drop may cause injury or damage.
- Check the installation position carefully. Do not install near heaters or any other item the product may touch while in use. It may cause fire or injuries due to falling.

2. Pre-installation Notes

[Where to install is important] Consult with customers to decide where this product should be installed.

For indoor use only.

Don't mount this product outdoors (including balcony) or in the bathroom. It may cause functional loss or damage.



Please ventilate the room (e.g.: ventilation fan, dehumidifier etc.), as laundry emits humidity.

Humidity may cause condensation, or damage to some clothes.

Check the height of installation.

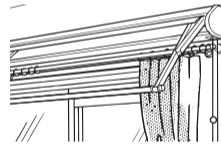
(Mount at easy to use height)

Downward stroke is about 300mm. About 500mm away from the wall. (refer to dimensions drawing). For example, if installed at 2 metres height above the floor (to the back side of the rack), the rod should be 1.7 metres above the floor.

In case of installing at lower height, the rod may jump out causing injury or the laundry may touch the floor.

Install so the operation cord does not touch curtains.

If it touches the curtains, curtains, the cord is difficult to pull.



To install above a curtain box...

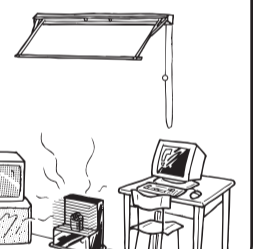
Crosspieces for reinforcement are required as is shown on "How to install: If a curtain rail/box is, more than 120mm deep"(contained on back side).

Check the installation position carefully.

Do not install in an entranceway.



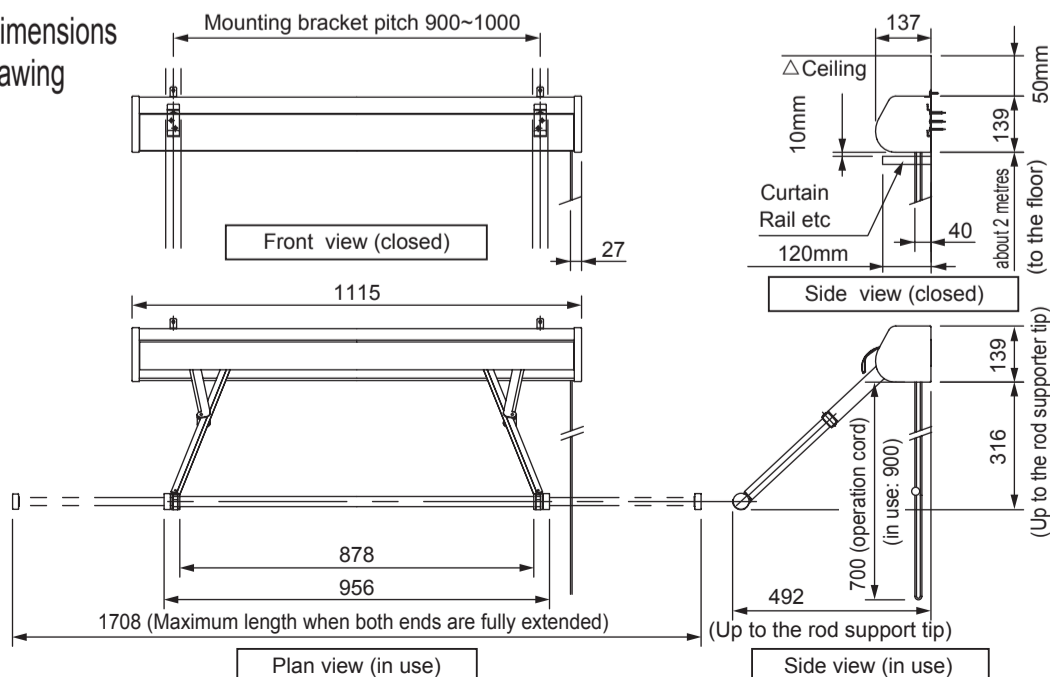
Do not install above a heater or electric appliances.



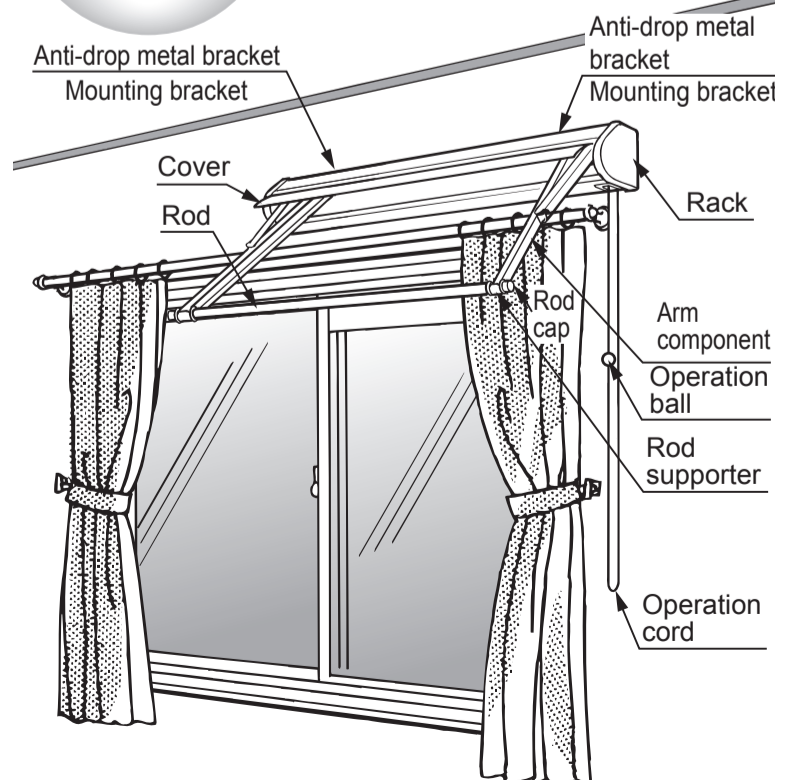
3. About this product

* Product weight is approximately 6kg.

Dimensions drawing



4. Names of each part



5. How to Install

Caution

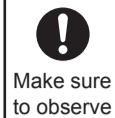
If installing above a window, before installing, complete the interior finishing and installation of curtain rails.

1. Attaching mounting brackets (mounting strength is important.)

- Fix 2 mounting brackets with 3 screws (truss $\phi 4 \times 40$) per bracket into a stud.

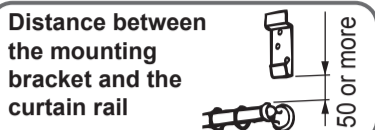
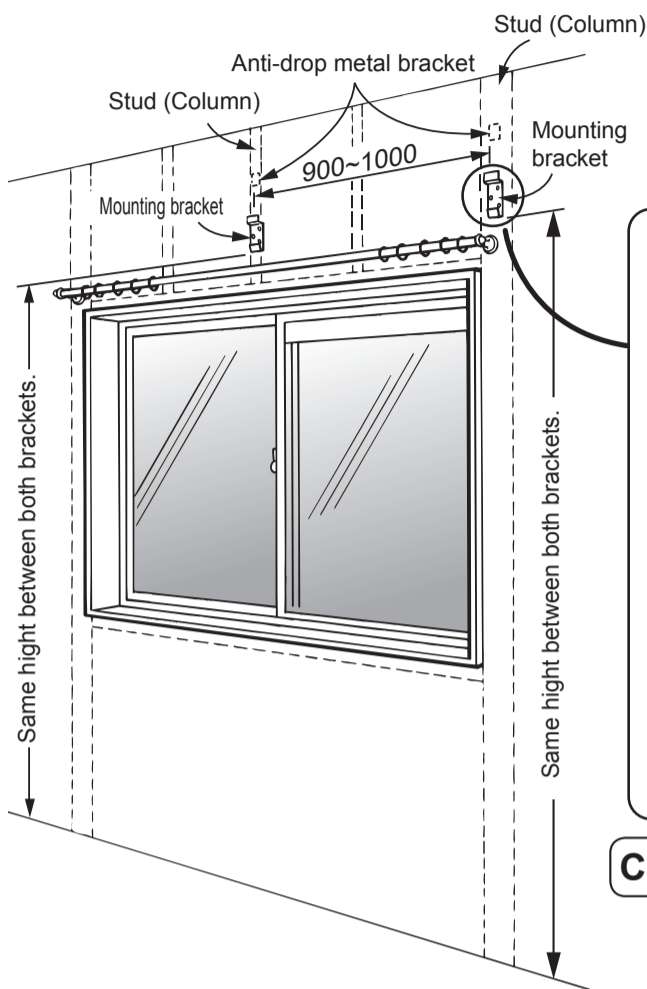
(Unit: mm)

CAUTION



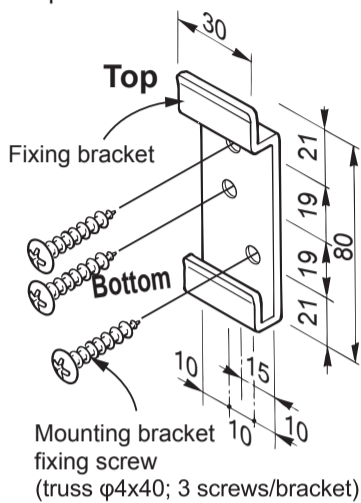
Make sure to observe

- Install the rack on an area that will support its weight. (Do not attach directly to the plasterboard/ALC)
- Improper installation may cause injury due to falling.



Fix mounting brackets

- Do not install the bracket upside down.



Caution

Always fix the mounting brackets to inner columns (studs). Otherwise these should be reinforced with alternatives, like crosspieces.

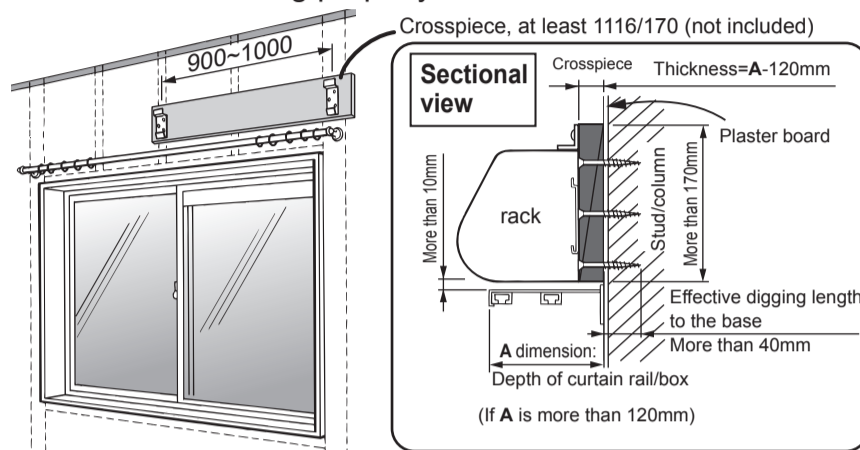
Caution

- Make sure to install the mounting brackets in line with vertical center lines of inner studs/columns.
- Two mounting brackets should be positioned at the same height against the floor. (or the rack cannot be installed properly.)

If a curtain rail/box is more than 120mm deep

Caution

Install a crosspiece to avoid the rail. Otherwise the curtain rail/ box prevents the rod from moving properly.

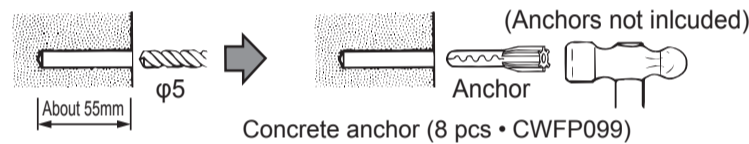


- Make preliminary holes with the screws (min 3 screws/crosspiece) which dig more than 40mm into the base before fixing. Do not use debris of particle boards.

For concrete walls

(Follow the same steps below for anti-drop metal brackets)

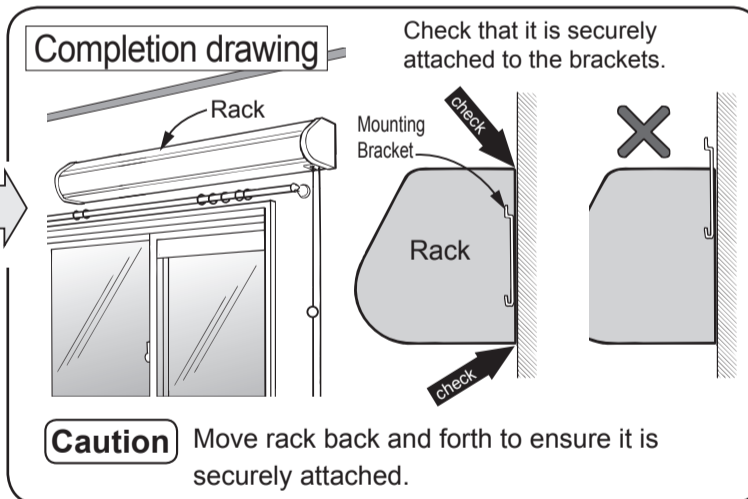
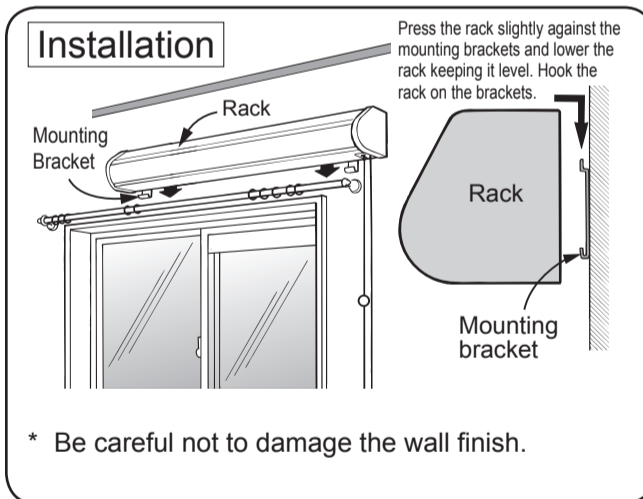
- Make a pilot hole using a 5mm drill.
- Hammer in a specialized concrete anchor and fix with screws.



- Use a specialized concrete anchor, not a general-purpose one.

2. Installing the Rack (it is important to attach securely to mounting brackets)

- Press the rack slightly against the mounting brackets and lower the rack keeping it level. Hook the rack on the brackets securely.

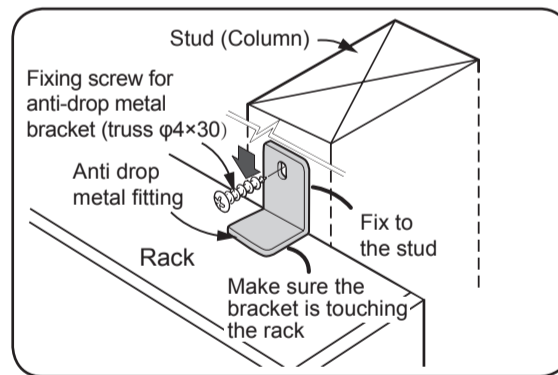


3. Installation of anti drop metal brackets

Caution

Always install the anti drop brackets to prevent falling.

- After installing the rack, install the anti drop metal brackets on the top of the rack (left and right). (* After installation, please make sure that the rack does not come off)



6. Post-installation check

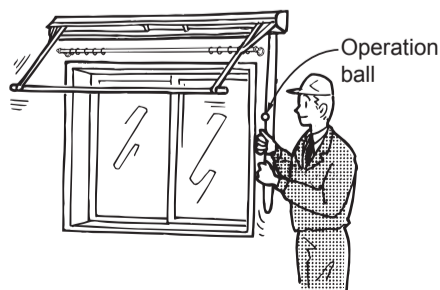
- Make sure the rack is securely attached to the mounting brackets (refer to the finished drawing above). (Move the rack back and forth)

- Remove the tape from the lid/operation cord.

- Check the rod operation.

- Pull out the rod by fully pulling the operation cord with the operation ball.
- To store the rod, pull the operation cord on the other side. Make sure the rack closes.

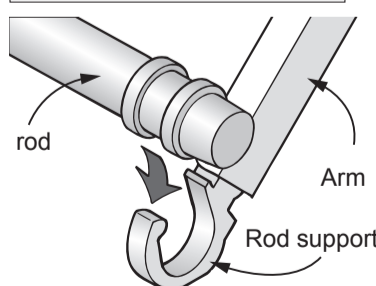
- Do not stand in front of the rack while handling the pull cord. The rod may pop out and cause injuries.



About the rod

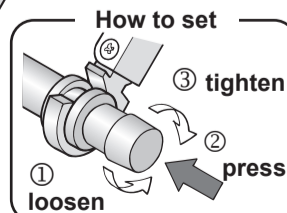
- Do not use other rods other than the designated one.

How to mount the rod ... Hold the arm component and place the rod on the rod support.



Caution

Set both ends of the rod before storing the rack. The rod may collide with the rack and cause damage.



How to remove the rod

...Hold the arm, then push the rod up.