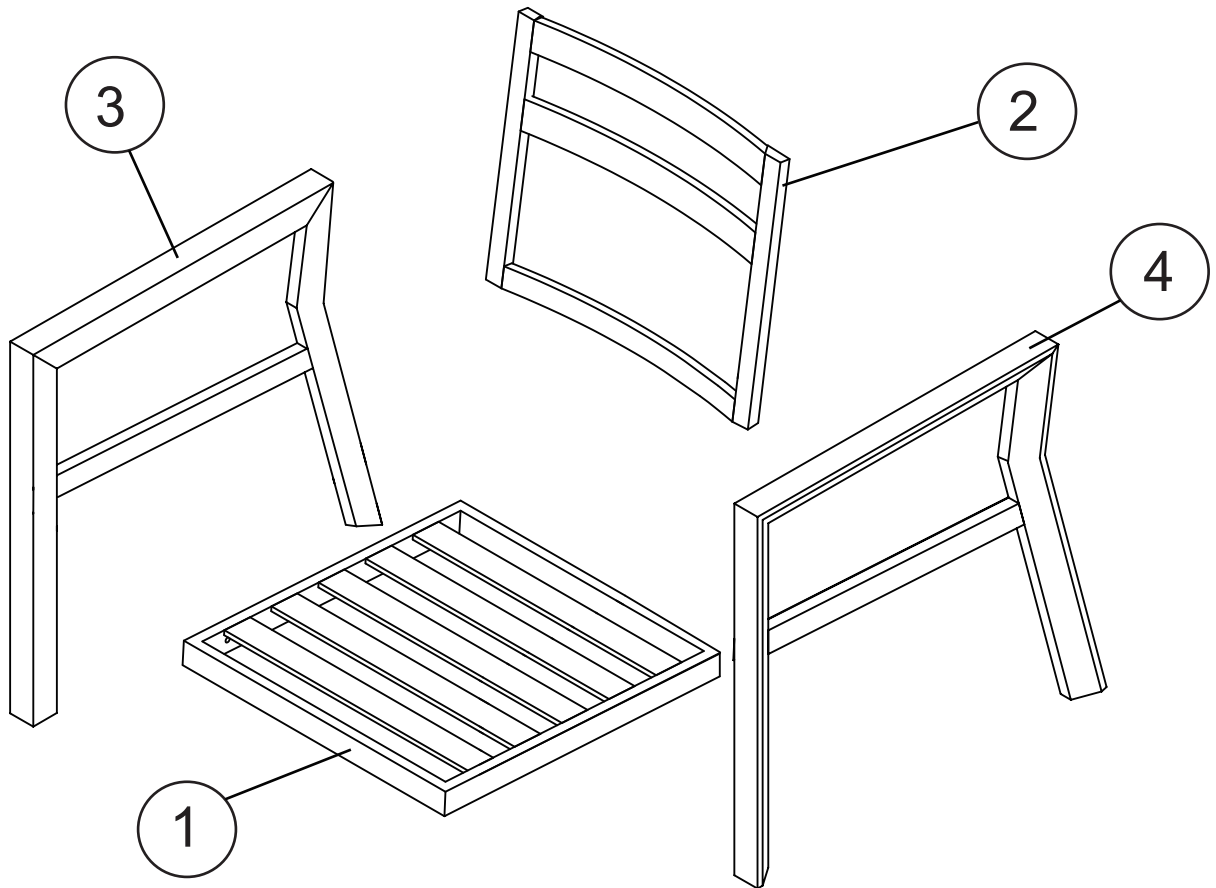


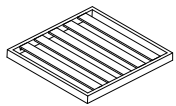

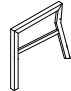
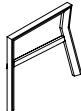
Dining Chair

Assembly instructions

GETTING TO KNOW YOUR PRODUCT

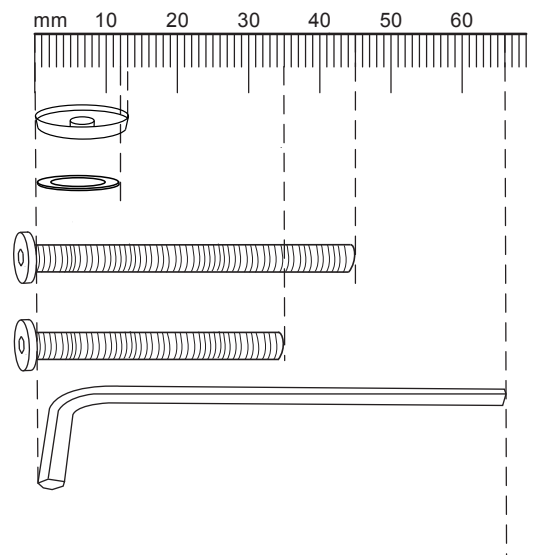


Components supplied. Please use this guide if you require replacement parts.

Ref	Dimensions	Visual	Qty
1	54X52cm		1
2	52X42.5cm		1
3	68X62.7cm		1
4	68X62.7cm		1

Fixtures and fittings supplied(actual size)

Ref	Dimensions	Qty
A	∅13x5mm	8
B	∅12x1mm	8
C	M6X45mm	4
D	M6X35mm	4
E	∅4X66mm	1



Dining Chair

Assembly instructions

1

A
D
B

1
3

Ax2	ø13 x 5.0mm
Bx2	ø12 x 1.0mm
Dx2	M6 x 35mm

2

A
D
B

1
3
4

Ax2	ø13 x 5.0mm
Bx2	ø12 x 1.0mm
Dx2	M6 x 35mm

3

1
2
3
4

A
B
C

Ax4	ø13 x 5.0mm
Bx4	ø12 x 1.0mm
Cx4	M6 x 45mm

4