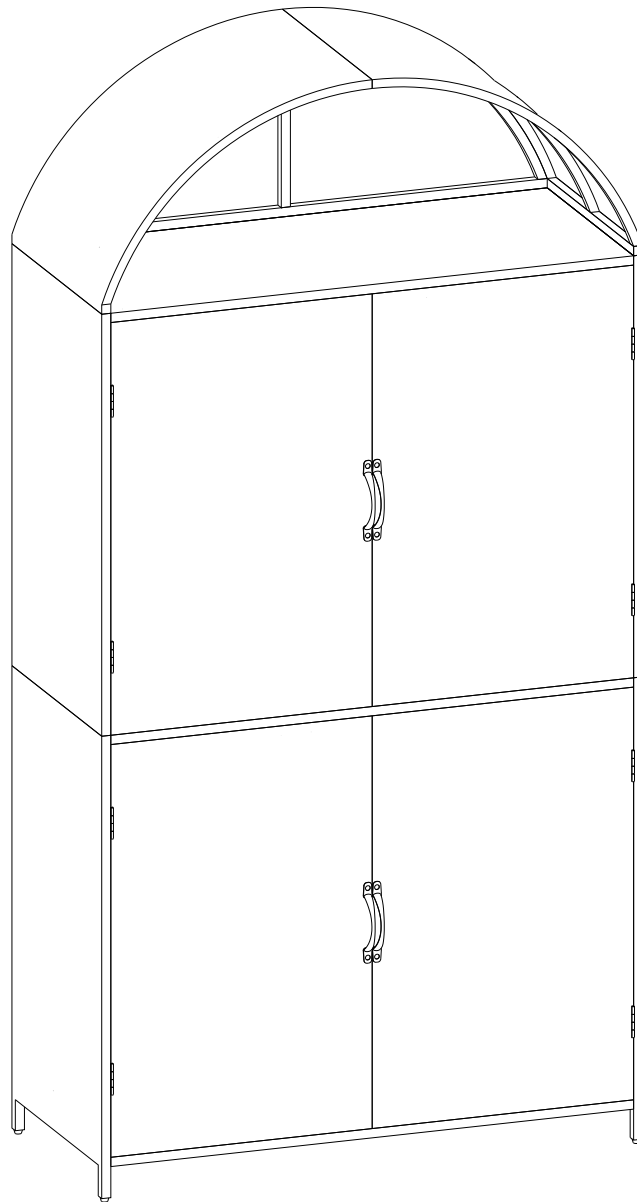


ASSEMBLY INSTRUCTION

OUTDOOR STORAGE CABINET














Notice:

1. 50% Tighten before fixing all screws, Allen wrench is recommended instead of an electric drill.
2. Place the item on a flat ground to adjust and make sure it remains stable.
3. Tighten up all screws with tools gradually.
4. If the screws are not aligned with holes during assembly, please loosen all the other screws to 50% and continue the assembly process.
5. If the item is not stable, please loosen all the screws, adjust it on a flat ground and tighten up all screws again.
6. Notes: If one or some screws are fully tightened during assembly, chances are the others will not be aligned with holes. In addition, all the holes are designed to be relatively larger to provide more space for the adjustment of the screws.

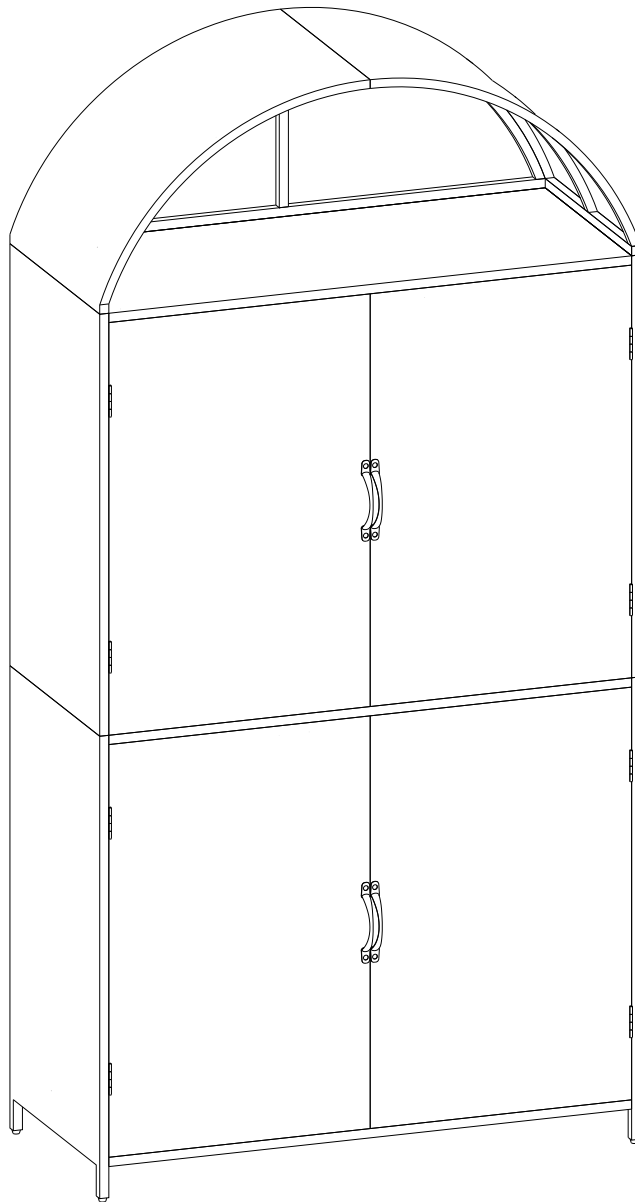
ASSEMBLY INSTRUCTION

Caution : You must read this before you proceed

Care & Maintenance

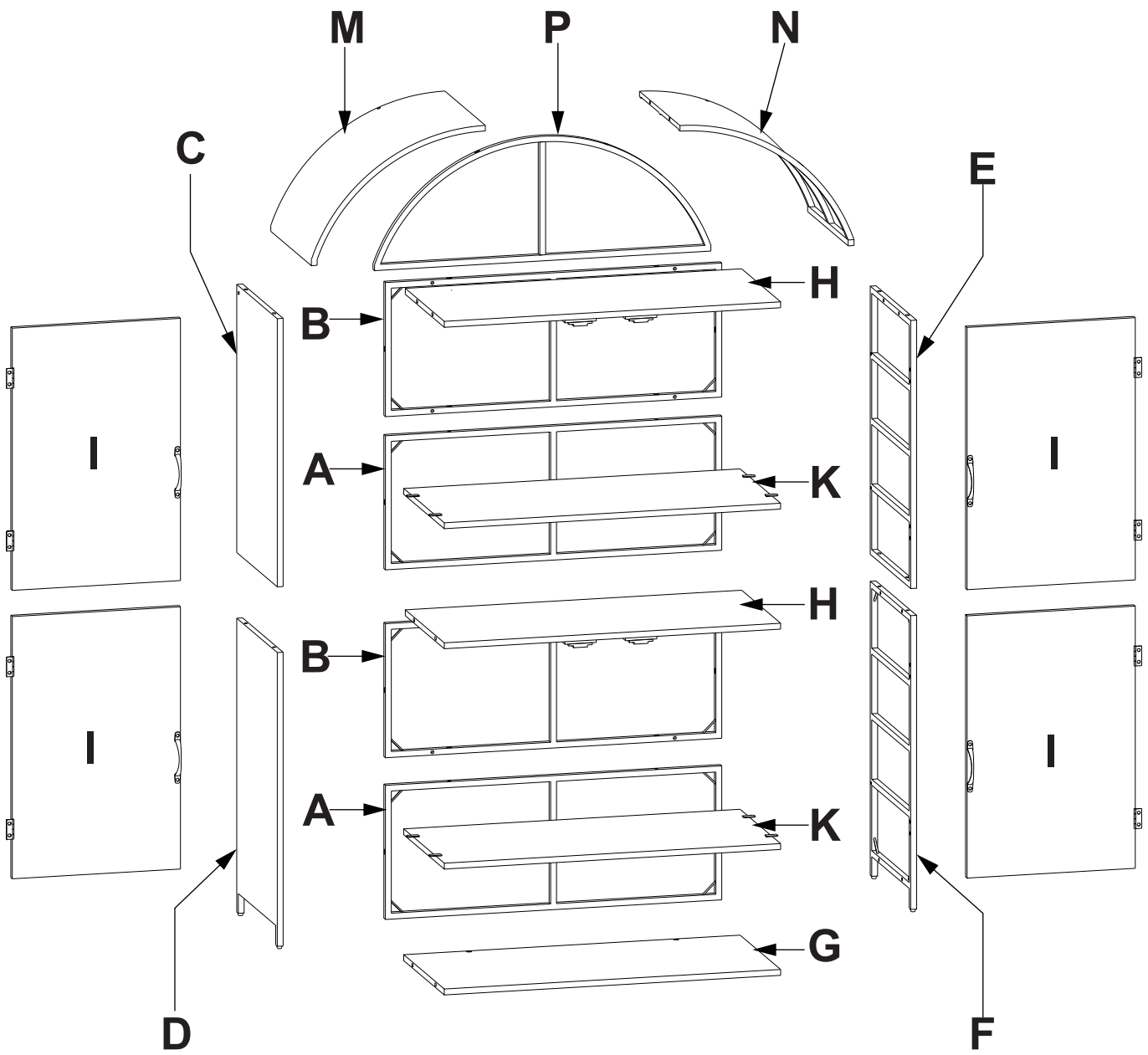
- ⊘  ● Not for commercial use. For residential use only.
- ⊘  ● Prolonged exposure to rain may cause rusting which can stain floors.
- ⊘  ● Do not put hot items directly on furniture surface.
- ⊘  ● Do not clean furniture with harsh cleansers or polish.
- ✓  ● To obtain the longest lifespan of your outdoor products, minimizing exposure to direct sunlight is recommended.
- ⊘  ● Children should not climb or jump on the furniture.
- ⊘  ● Do not write on furniture without a padded barrier to protect the surface.
- ✓  ● To obtain the longest lifespan of your outdoor products, avoid extended and lengthy exposure to rain, snow, and direct sunshine. Whenever possible cover the product and /or place under patio or awnings.
- ⊘  ● Stains may be removed with mild soap solution and damp cloth.
- ✓  ● Keep away from sources of ignition.
- ✓  ● Dust and pick-up spills using a clean, non-colored, lint-free cloth.

OUTDOOR STORAGE CABINET

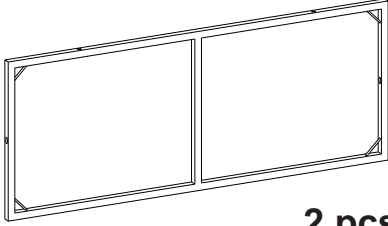
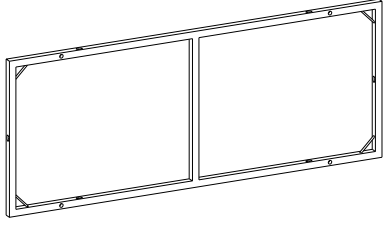
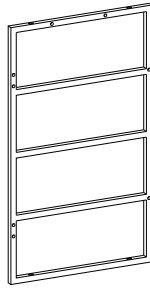
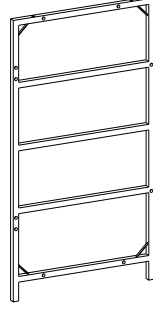
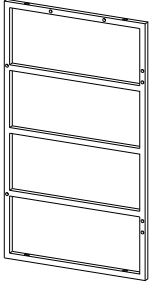
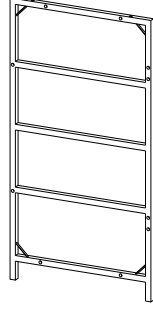
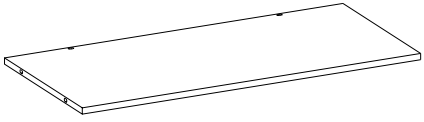
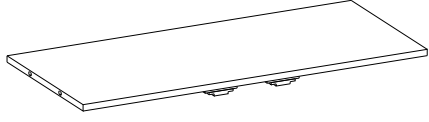
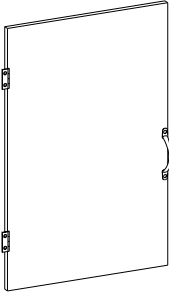
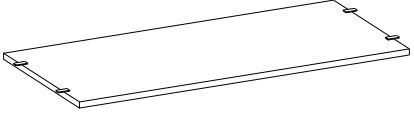
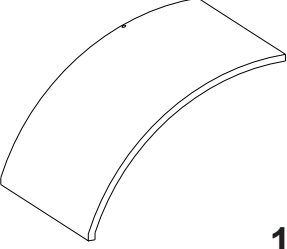
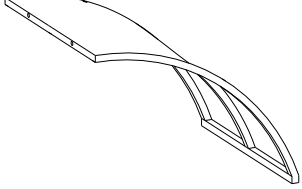
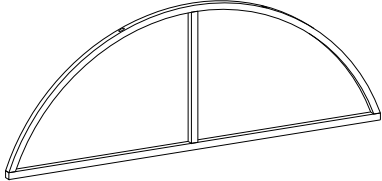


CAUTION : This outdoor wicker cabinet is NOT a TOY.

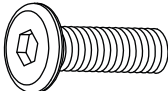
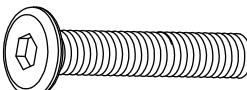
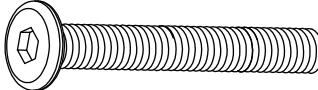
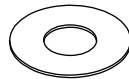
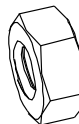
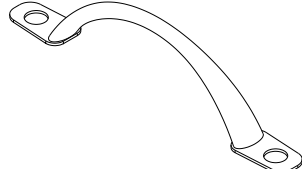
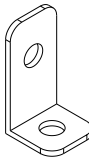
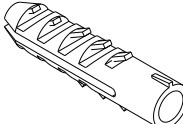
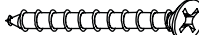
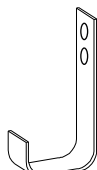
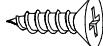

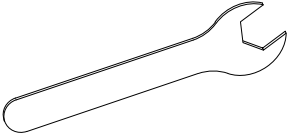
- Keep your child / children at bay in the process of assembly.
- For turning the outdoor wicker cabinet and to prevent damage to the outdoor wicker cabinet two adults may be needed to execute this action



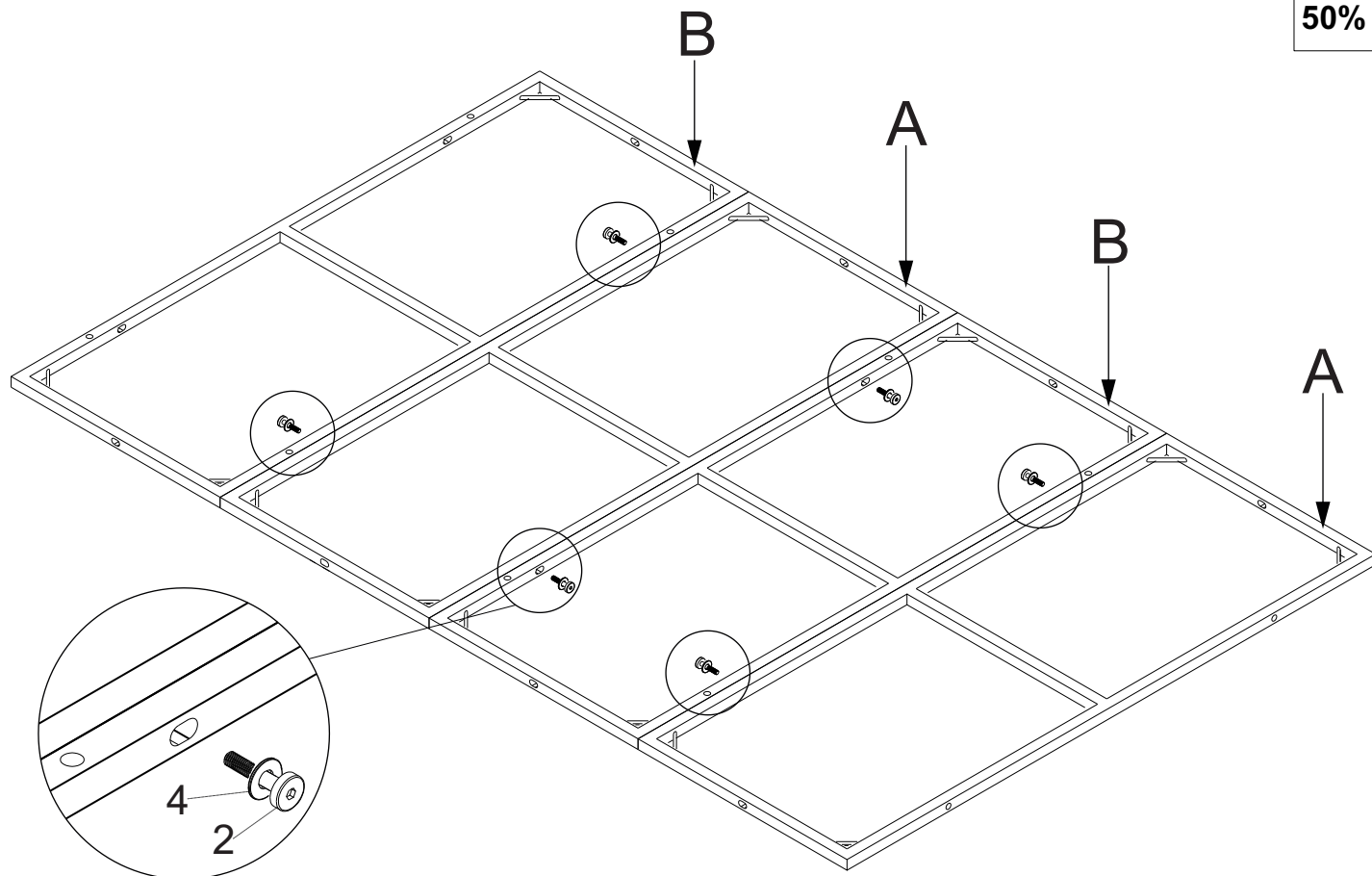
Part list & Hardware

A  2 pcs	B  2 pcs	C  1 pc
D  1 pc	E  1 pc	F  1 pc
G  1 pc	H  2 pcs	I  4 pcs
K  2 pcs	M  1 pc	N  1 pc
P  1 pc		

Part list & Hardware

<p>1</p>  <p>Bolt M6x15 mm (26 pcs)</p>	<p>2</p>  <p>Bolt M6x35 mm (46 pcs)</p>	<p>3</p>  <p>Bolt M6x50 mm (2 pcs)</p>
<p>4</p>  <p>Washer 6x16x1mm (50 pcs)</p>	<p>5</p>  <p>Nut m6 (2 pcs)</p>	<p>6</p>  <p>Handle (4 pcs)</p>
<p>7</p>  <p>Metal Bracket (2 pcs)</p>	<p>8</p>  <p>Plastic Anchor (2 pcs)</p>	<p>9</p>  <p>M4x40mm (2 pcs)</p>
<p>11</p>  <p>Hook (2 pcs)</p>	<p>12</p>  <p>M4x15mm (4 pcs)</p>	<p>13</p>  <p>Allen key (2 pcs)</p>
<p>14</p>  <p>Spanner (1 pc)</p>		

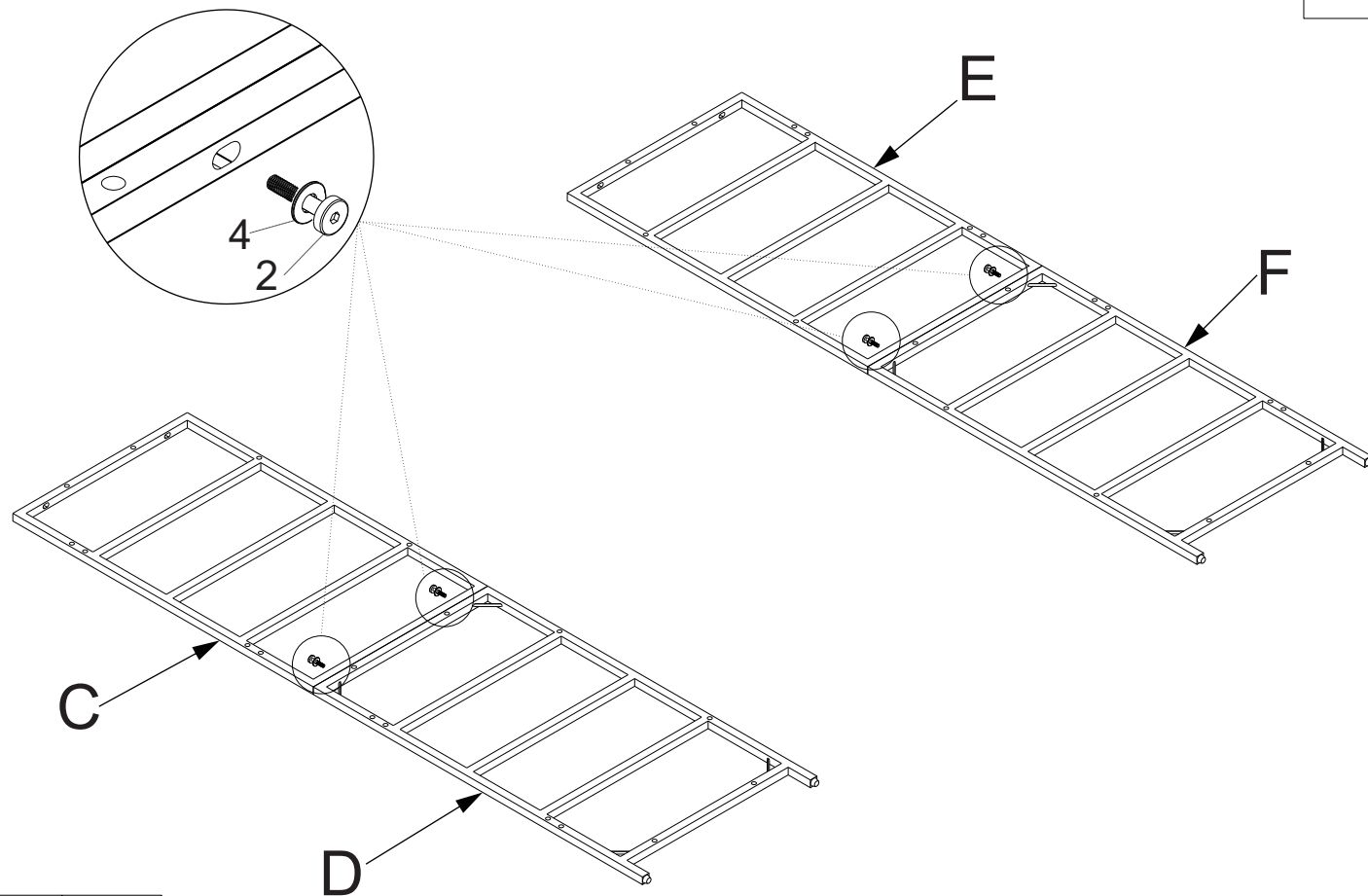
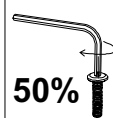
STEP 1 : Connect (A) with (B) by bolt (2) and washer (4)



2*6

4*6

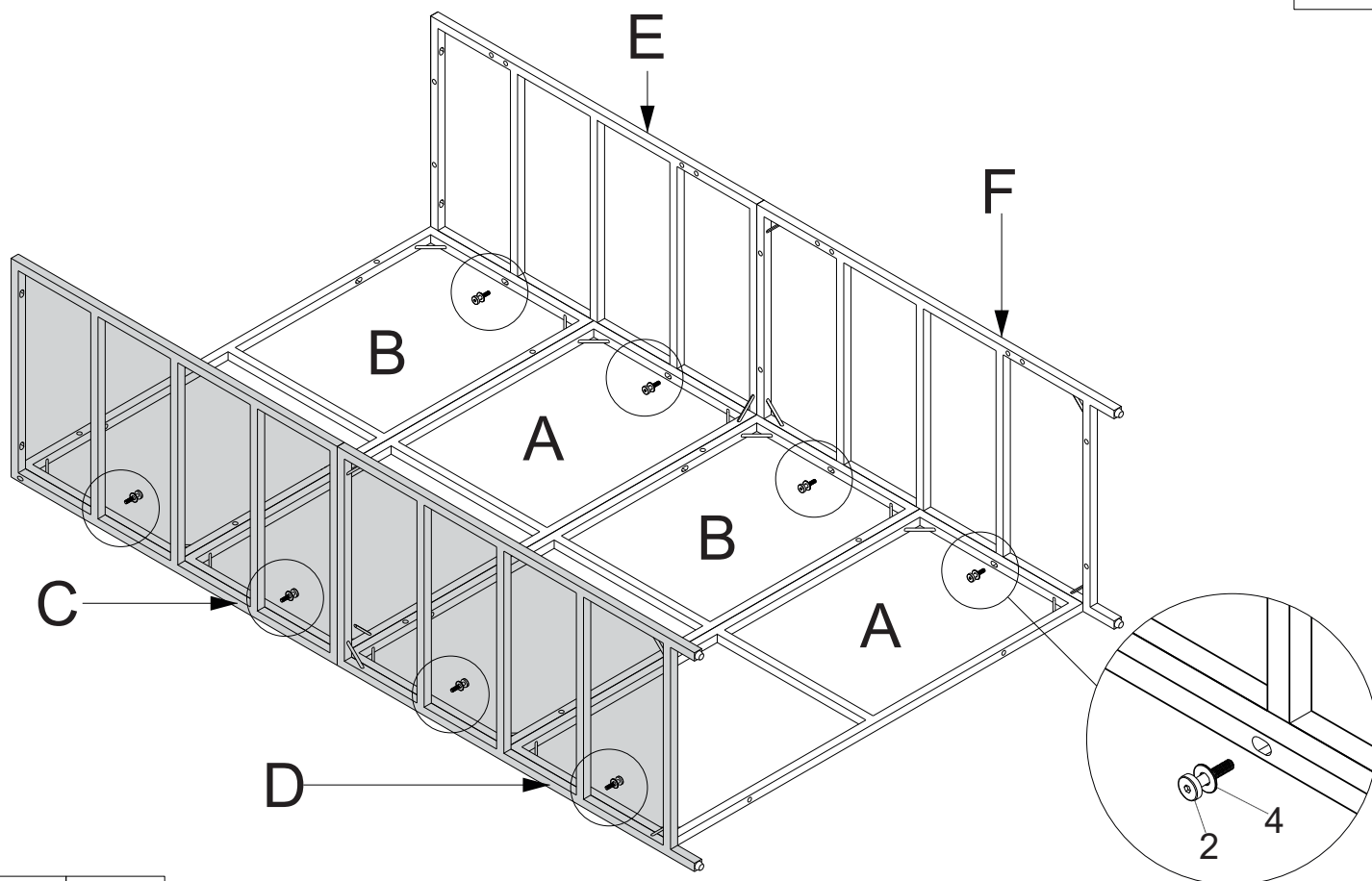
STEP 2 : Connect (C) with (D) and (E) with (F) by bolt (2) and washer (4)



2*4

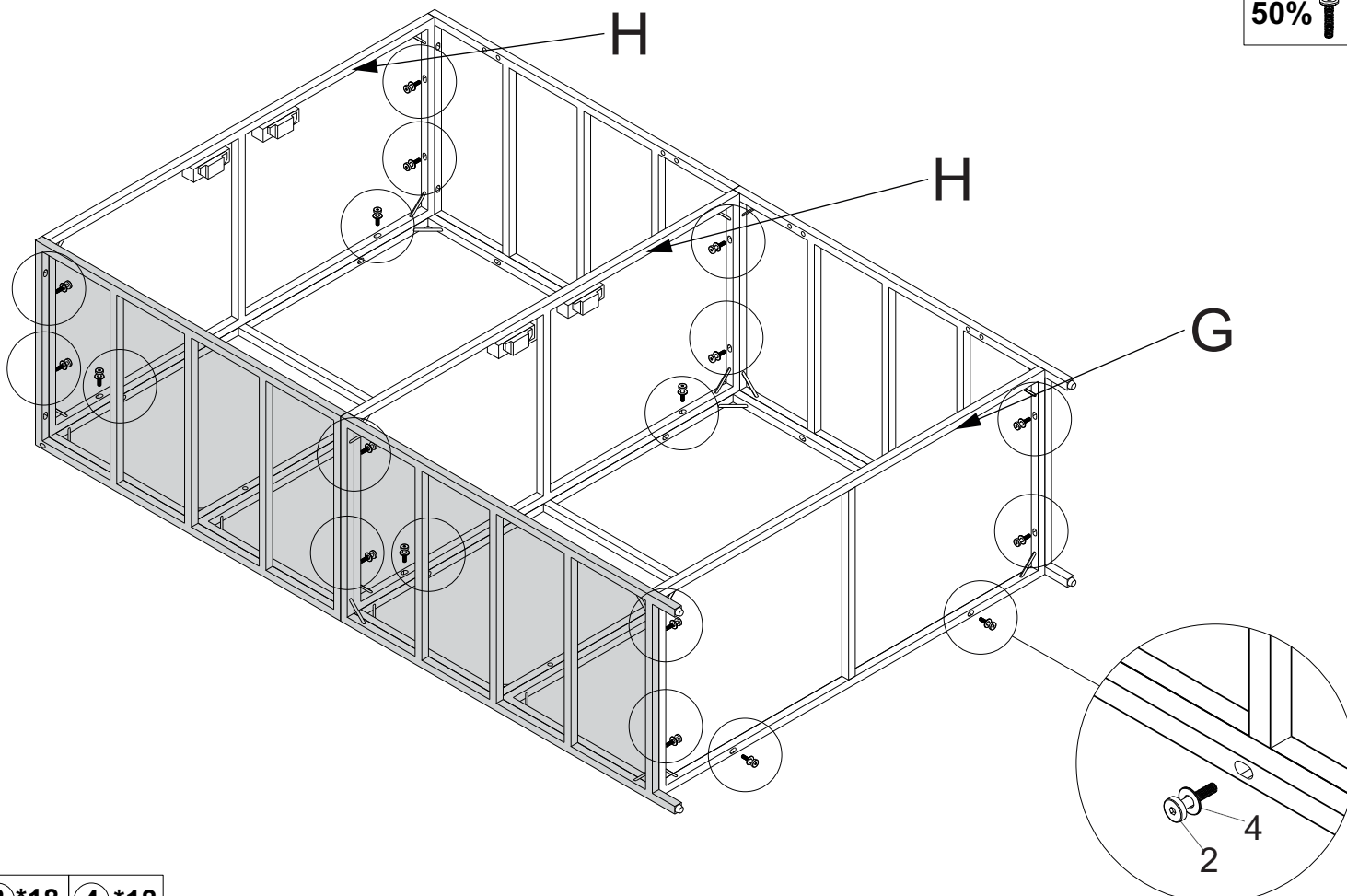
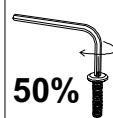
4*4

STEP 3 : Connect the part from Step 1 with the part from Step 2 by bolt (2) and washer(4)



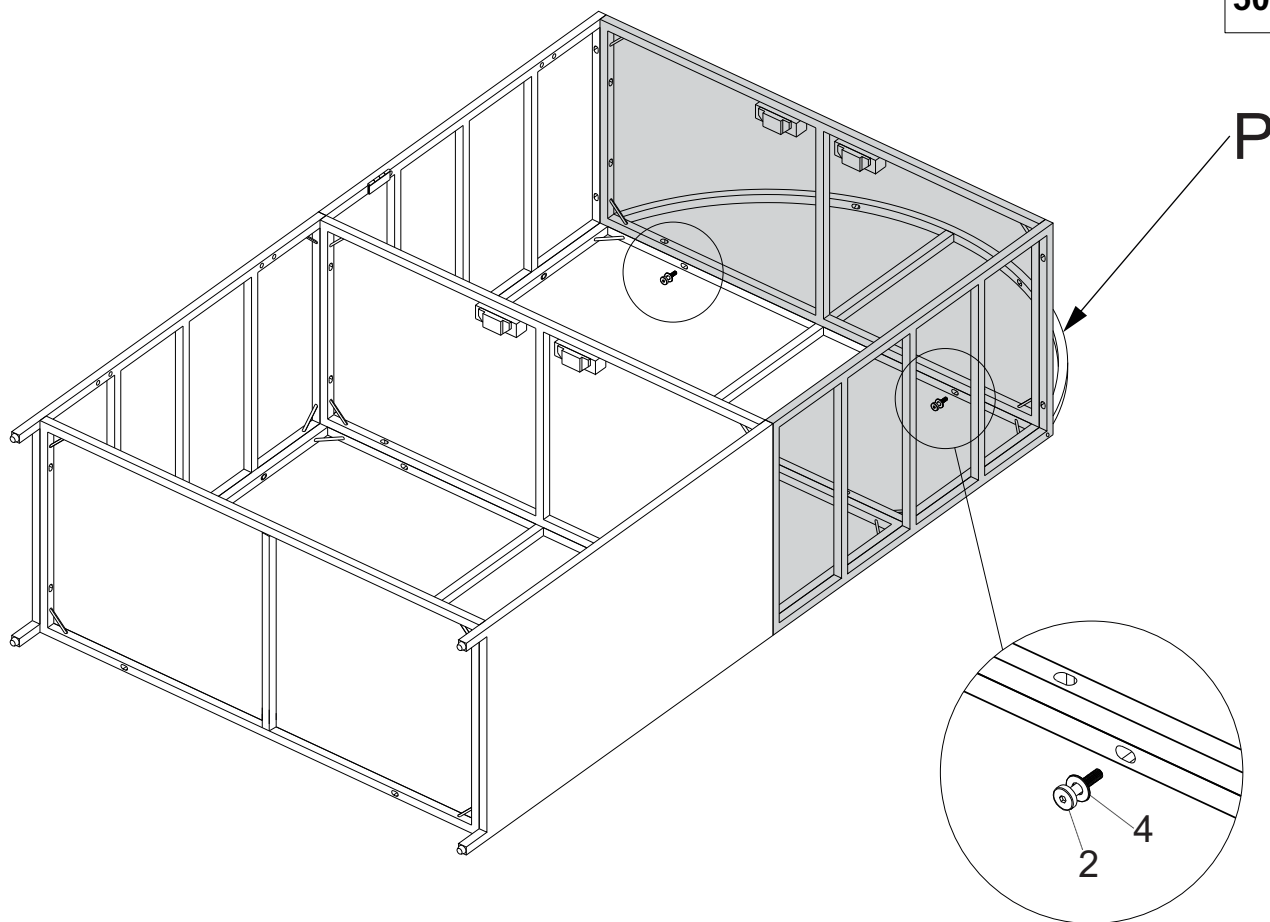
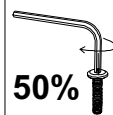
2*8 4*8

STEP 4 : Connect the part from Step 3 with (H) , (G) by bolt (2) and wahser(4)



2*18 4*18

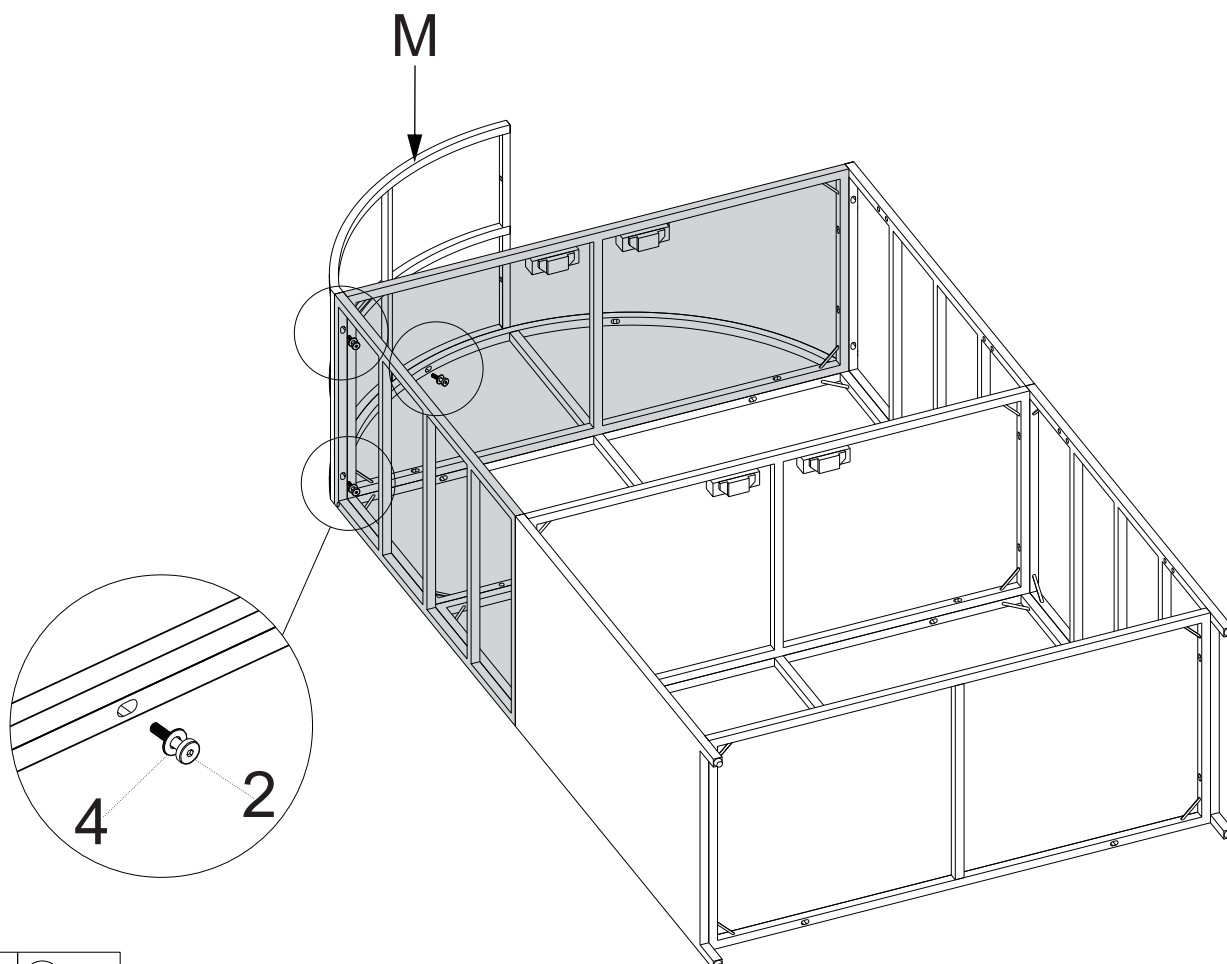
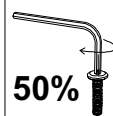
STEP 5 : Connect the part from Step 4 with (P) by bolt (2) and wahser (4)



2*2

4*2

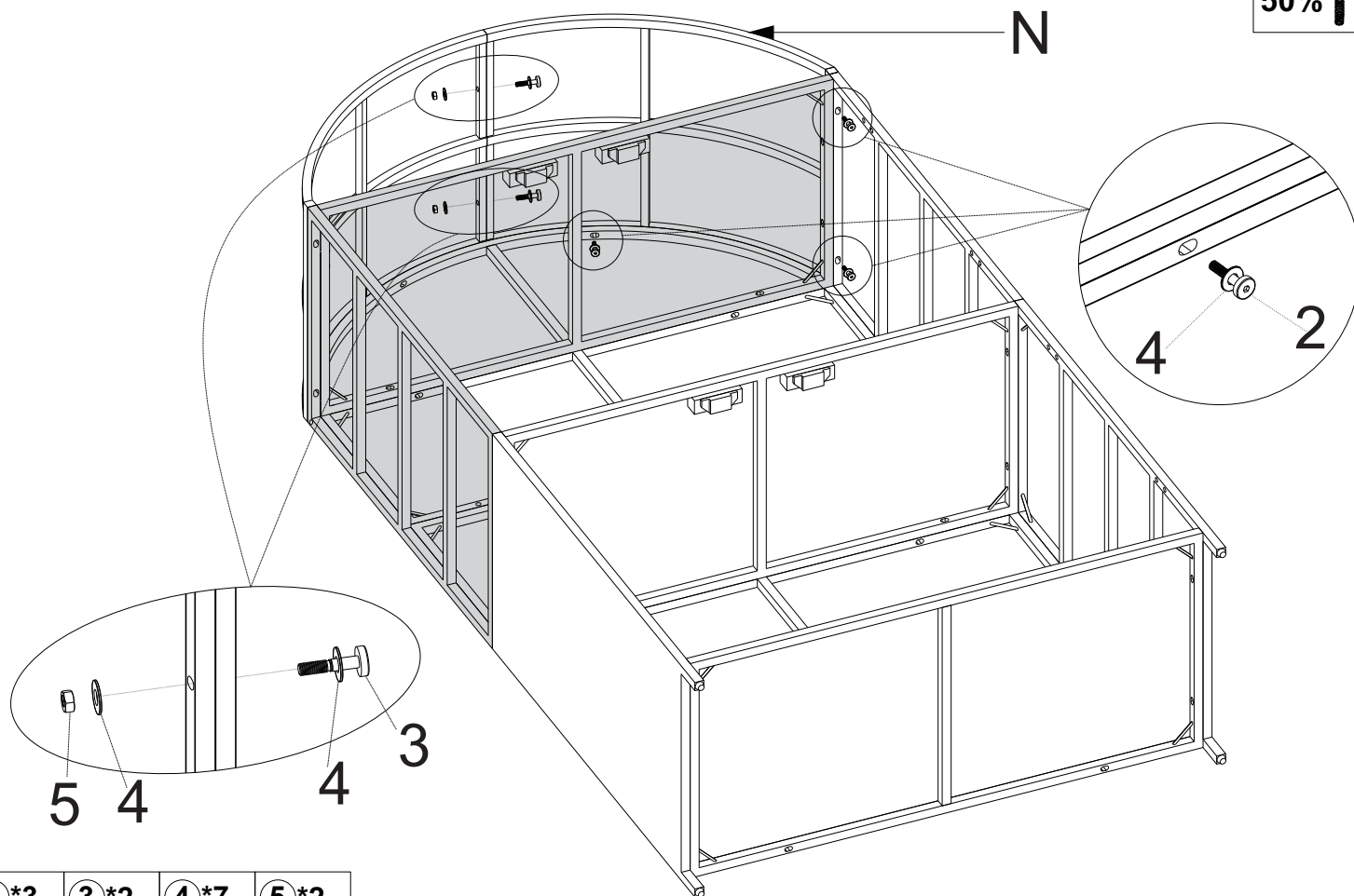
STEP 6 : Connect the part from Step 5 with (M) by bolt (2) and wahser (4)



2*3

4*3

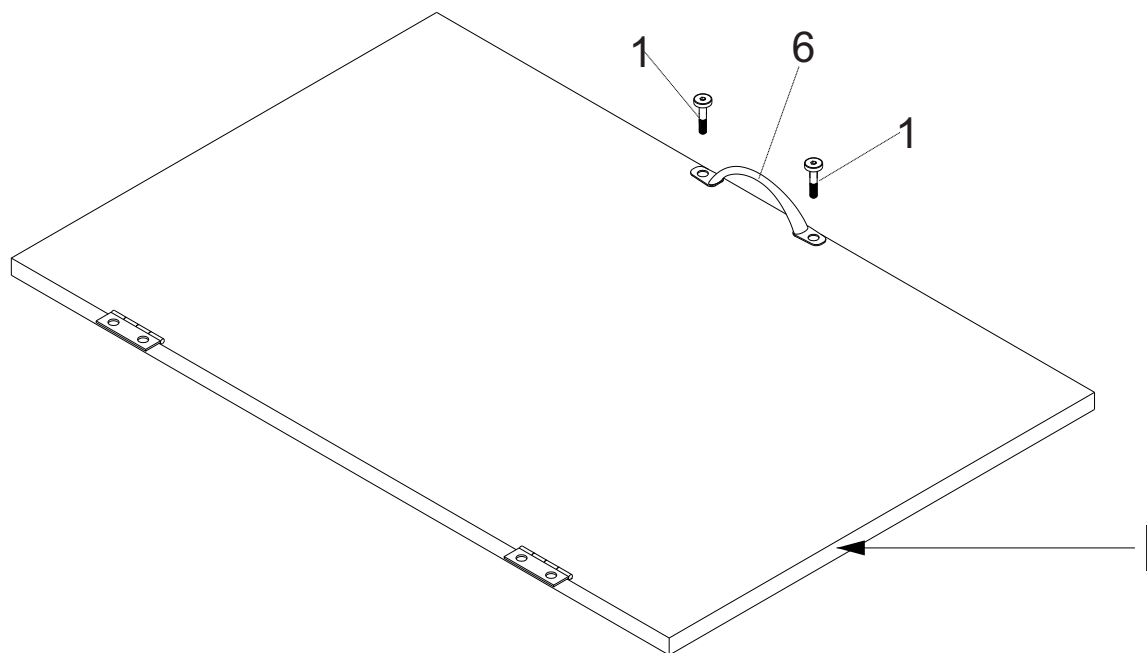
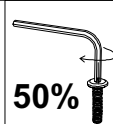
STEP 7 : Connect the part from Step 6 with (N) by bolt(2), bolt(3), nut(5) and washer (4)



- ②*3
- ③*2
- ④*7
- ⑤*2

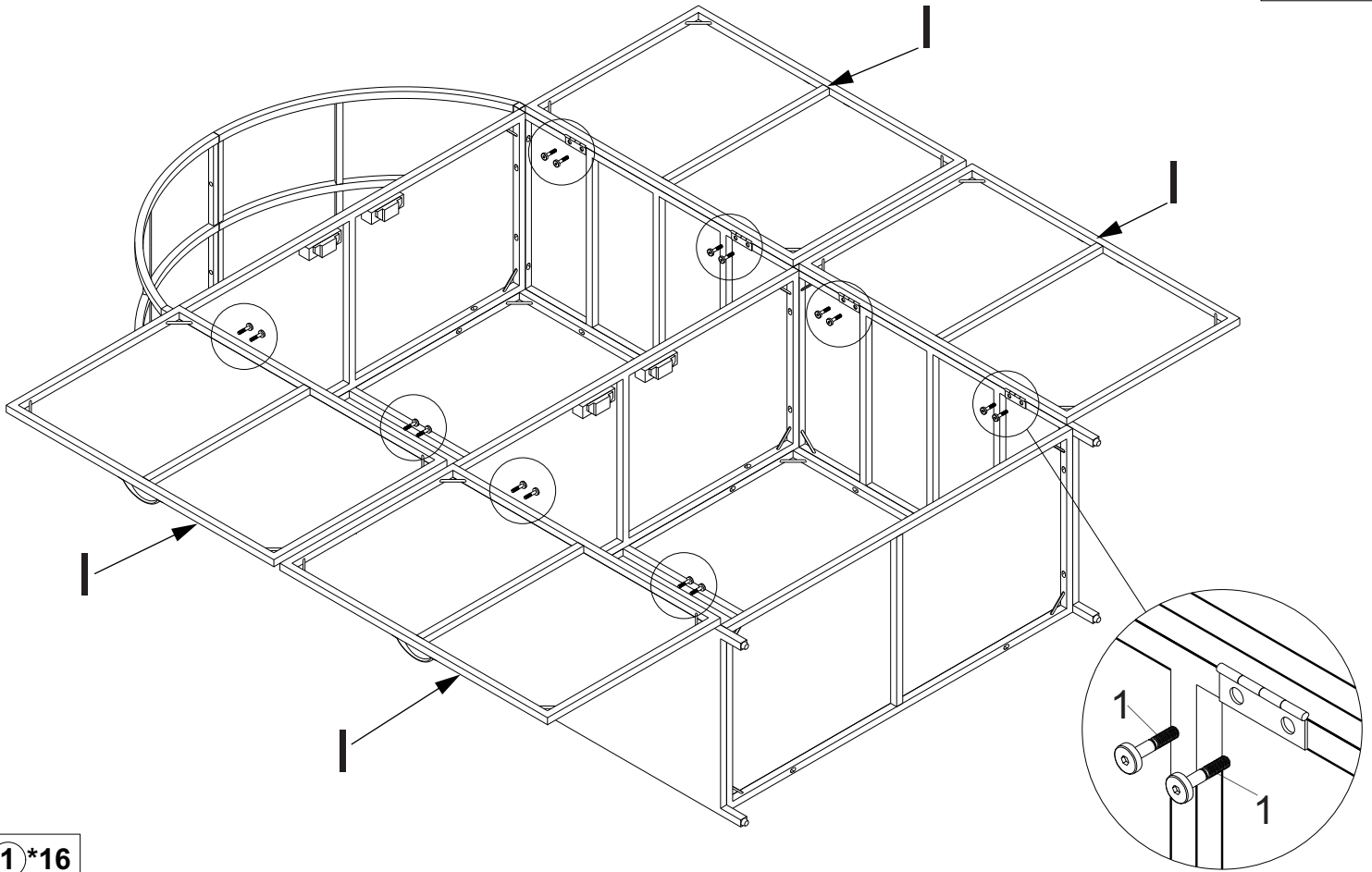
STEP 8 : Connect Handle(6) to the (I) by bolt (1)

x4

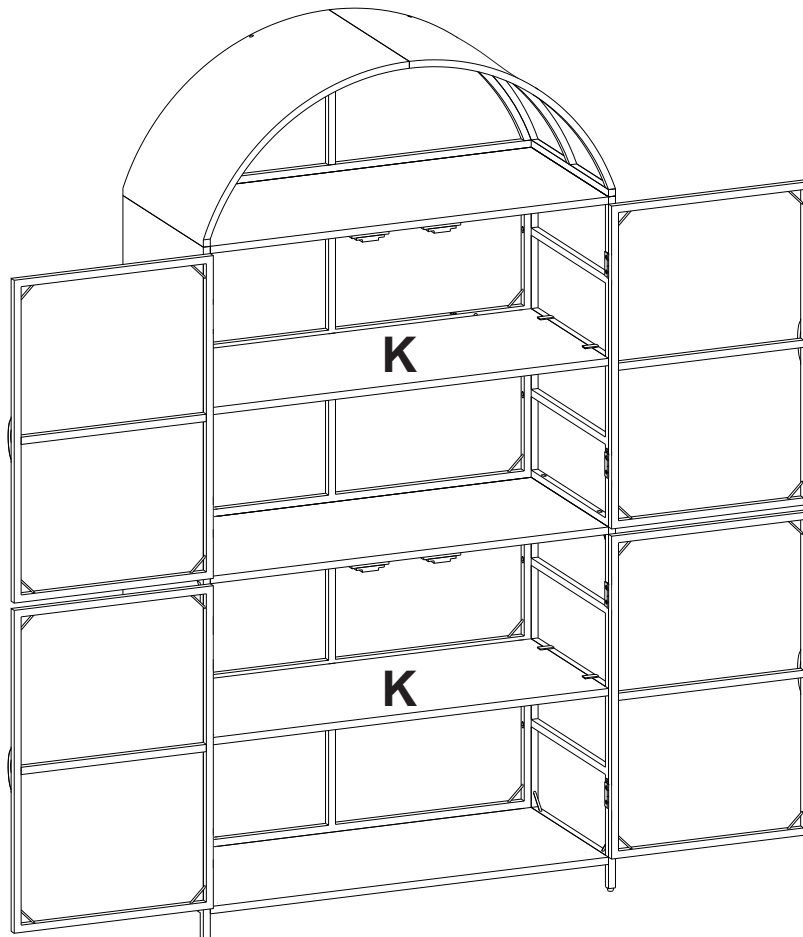


- ①*8
- ⑥*4

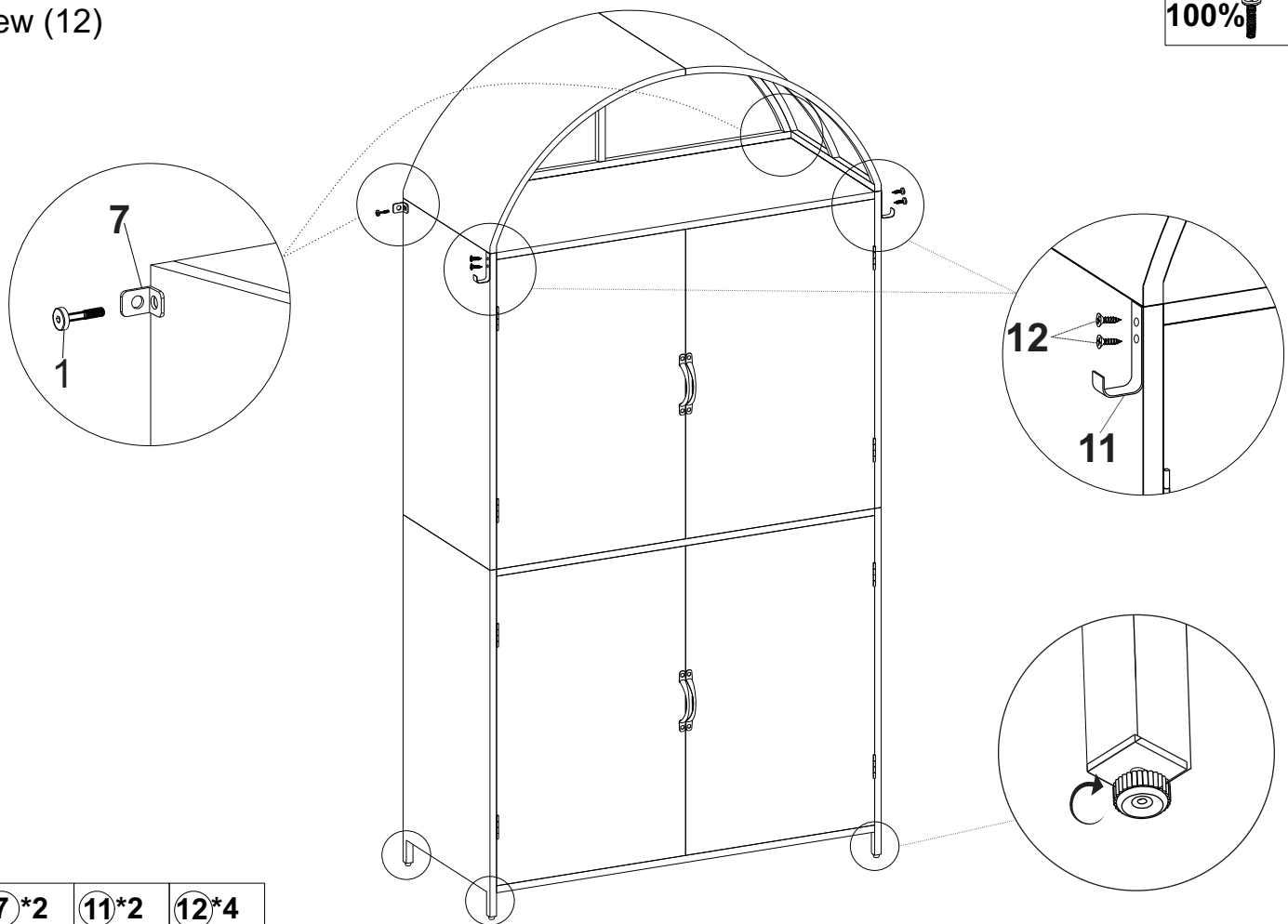
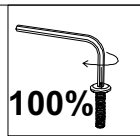
STEP 9 : Connect (I) to the cabinet frame by bolt (1)



STEP 10 : Insert (K) into the side of the Cabinet.

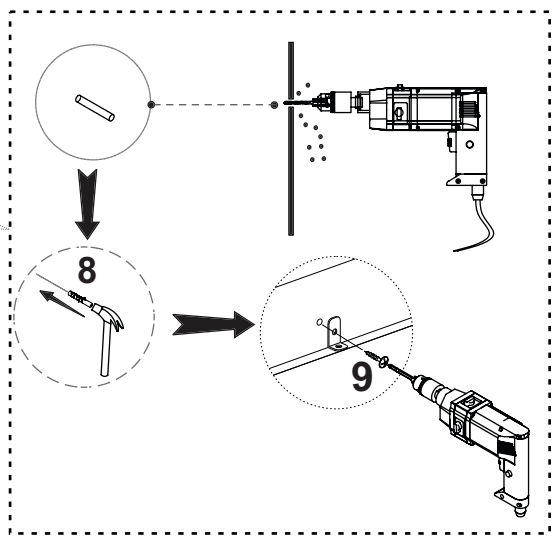
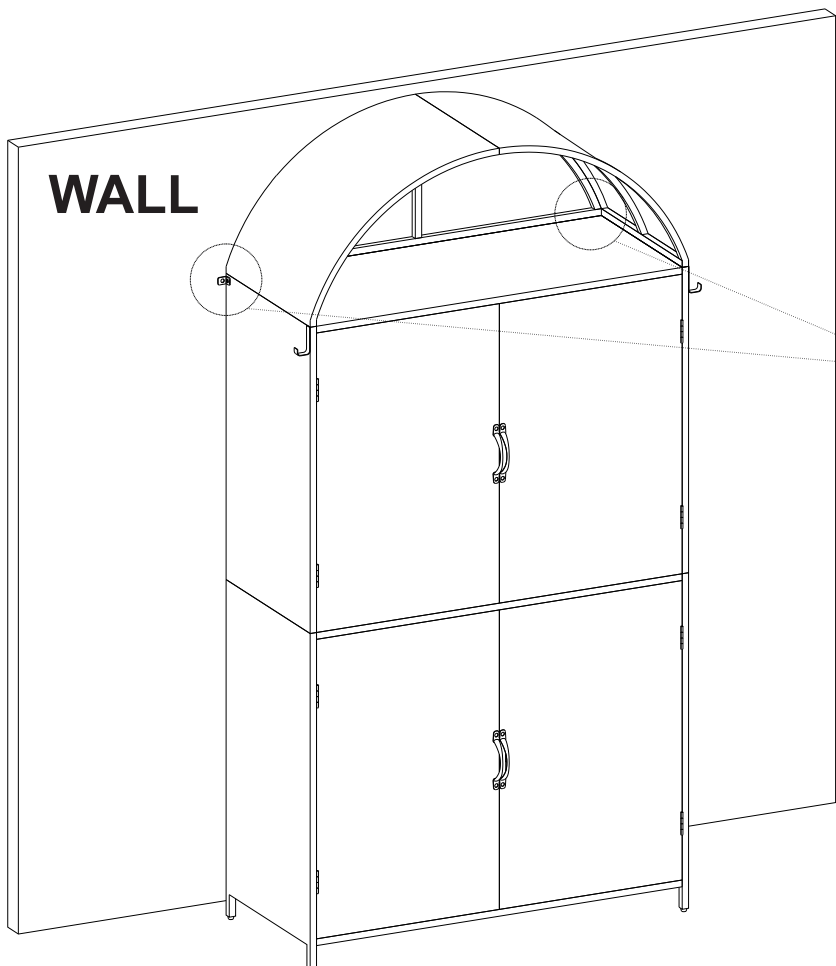
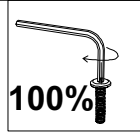


STEP 11 : Connect Metal Bracket (7) by bolt (1) and washer (4), Connect Hook (11) by screw (12)



- ①*2
- ⑦*2
- ⑪*2
- ⑫*4

STEP 12 : Use a drill to secure the Cabinet to the wall. Finish.



- ⑧*2
- ⑨*2