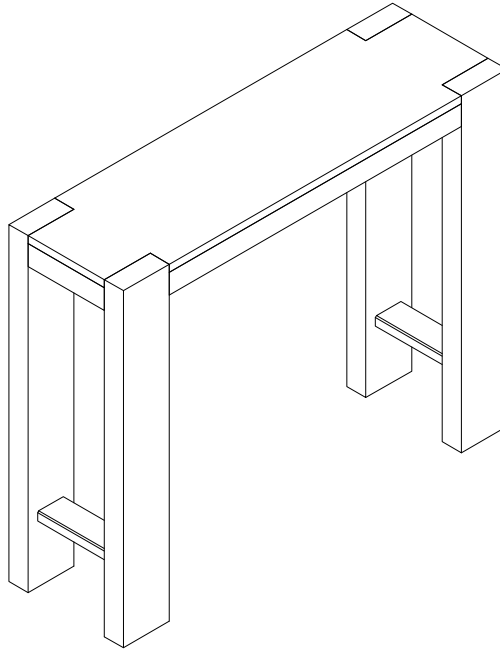


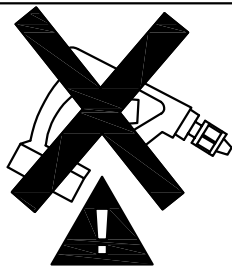
ASSEMBLY INSTRUCTION

Console Table 910mm

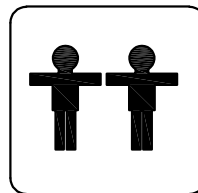


REPLACEMENT PARTS

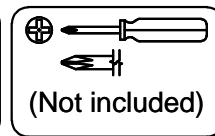
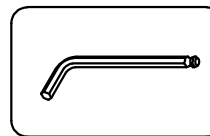
Please do not contact the company purchased from as we can help you faster.
Order replacement parts and hardware at "www.boltonfurniture.com"



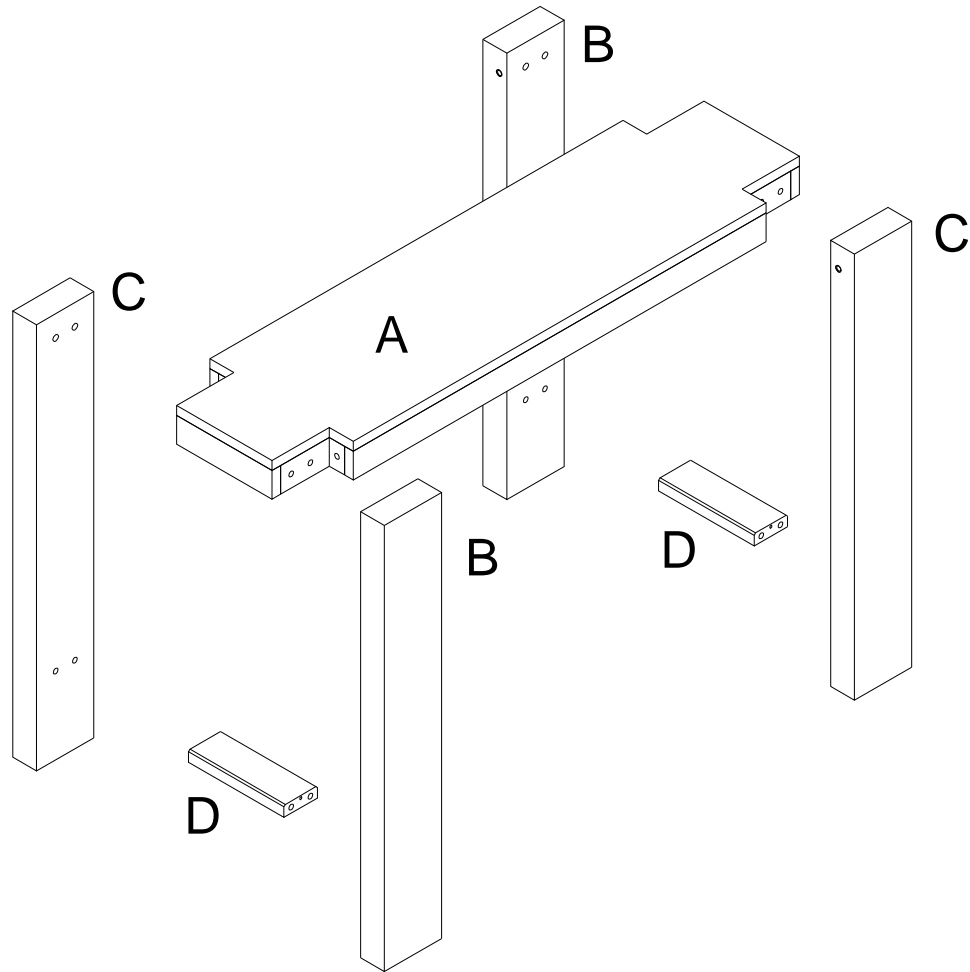
- . Use of power tool to assemble this product will invalidate any claim and damage this product making it unsafe !!!
- . Please assemble on a clean soft surface to avoid damage.




Tools Required




Part list - Console Table 910mm





Identifying the hardware-Identify the hardware using the illustrations below

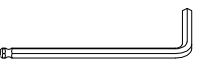
①  12
M6 x 35mm

②  12
Ø19 Washer

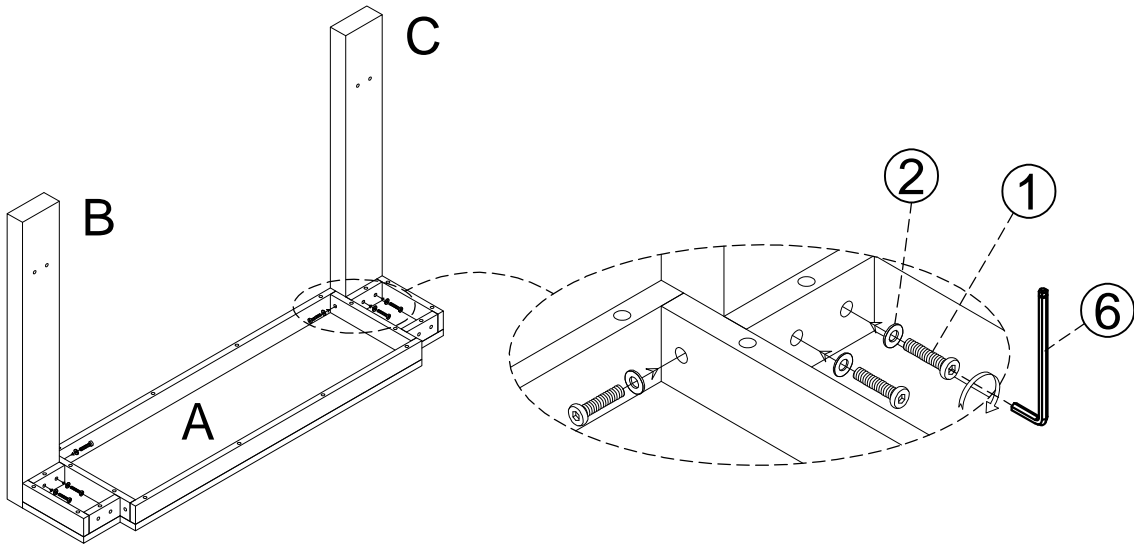
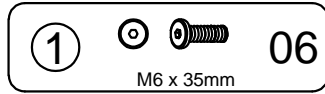
③  04
Ø4x40mm

④  08
Ø8 x 30mm

⑤  04
50x20x2mm

⑥  01

STEP 1



STEP 2

