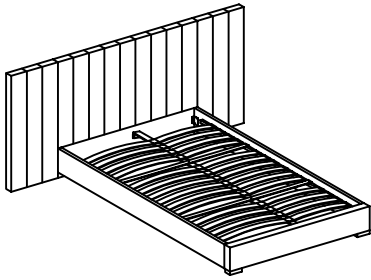


ASSEMBLY INSTRUCTION

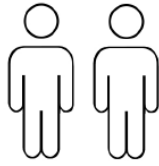
QUEEN



+ Do Not Use Power Tools



+ Suggested Adults



NOTE:

- 1 Read instructions cover to cover.
- 2 Save all packaging until assembly is completed.

1 IMPORTANT SAFETY INFORMATION

Do not assemble the product if any of the following parts arrived damaged:

- Part # - Side Rails
- Part # - Center Support Bar
- Part # - Support Legs
- Part # - Slats

2 IMPORTANT ASSEMBLY INFORMATION

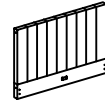
Assembly Step Ensure the side rail bracket is fully hooked onto bolt loosely threaded with both washers on the **OUTSIDE** of the bracket first, then proceed to fully tightening all 4 corners.

Assembly Step When installing slats, ensure that the curve is facing upwards. (✓) (✗)

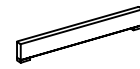
*Slats come packed in the bottom of headboard carton.

+ Parts Included

① Headboard
(1 of pc)



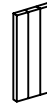
② Footboard
(1 of pc)



③ Side Rail
(2 of pcs)



④ Side Wing
(2 of pcs)



⑤ Center Rail
(1 of pc)



⑥ Support Leg
(3 of pcs)



⑦ Slat
(28 of pcs)



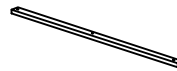
⑧ Middle Holder
(14 of pcs)



⑨ End Holder
(28 of pcs)



⑩ Stiffener Slat
(2 of pcs)

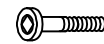


+ Hardware Included

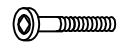
A JCBB
M8x20mm
(8 of pcs)



B JCBC
M6x40mm
(3 of pcs)



C JCBC
M6x50mm
(4 of pcs)



D Allen Key
M5 x 70mm
(1 of pc)



E Allen Key
M4 x 65mm
(1 of pc)



F CSK
M4 x 16mm
(6 of pcs)



G CSK
M4 x 25mm
(2 of pcs)



H CSK
M4 x 32mm
(6 of pcs)



I Spring Washer
(4 of pcs)



J Flat Washer
(4 of pcs)



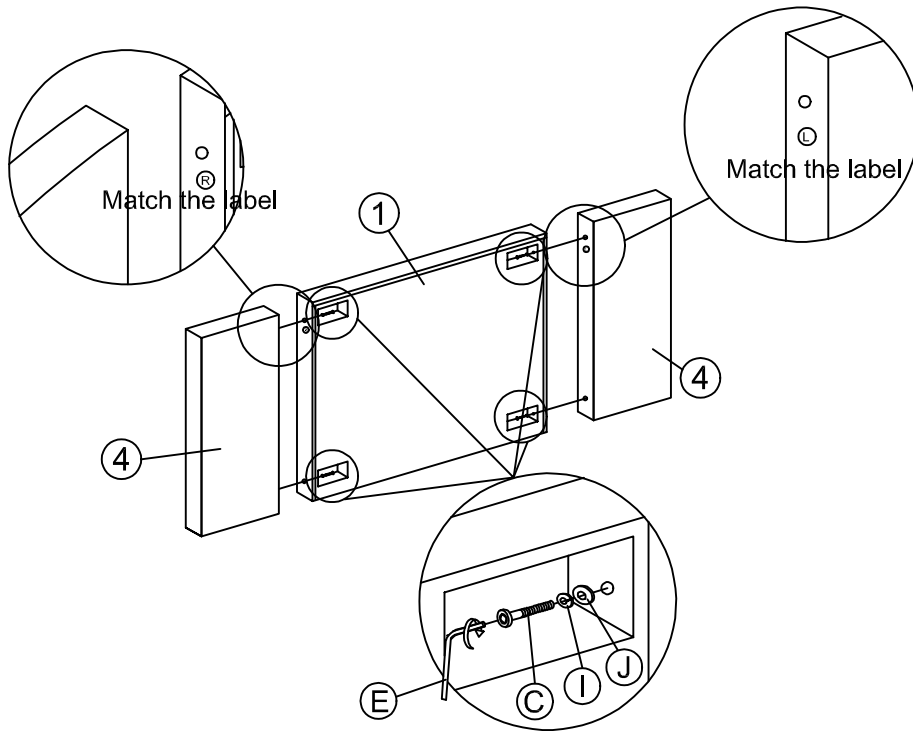
K Adjuster
(3 of pcs)



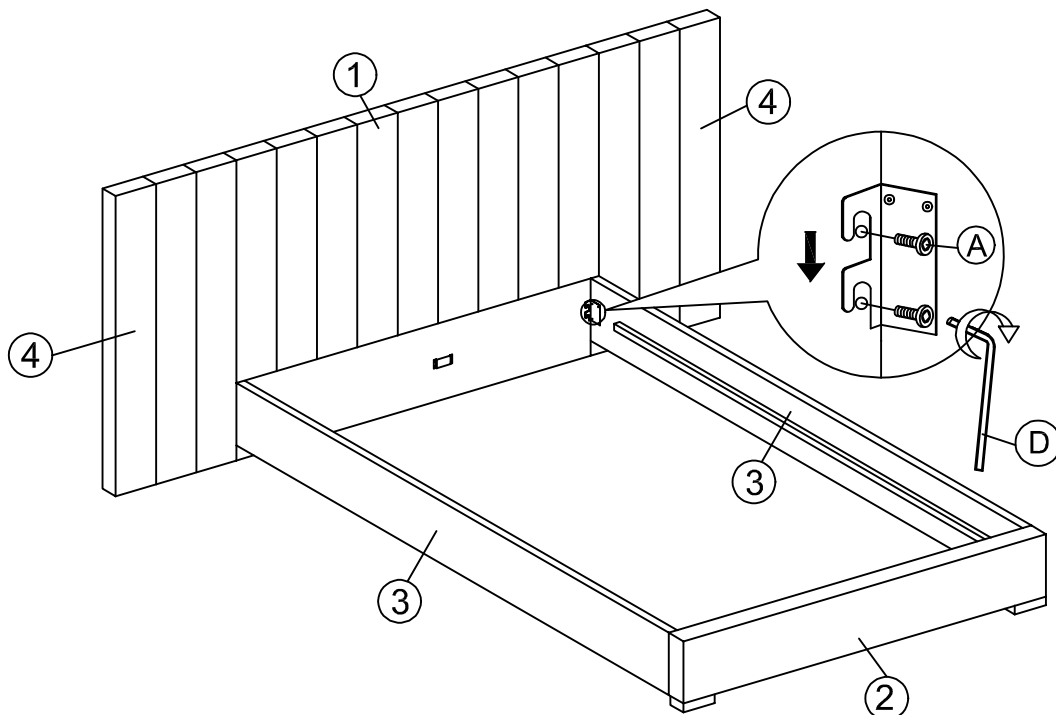
ASSEMBLY INSTRUCTION

QUEEN

1



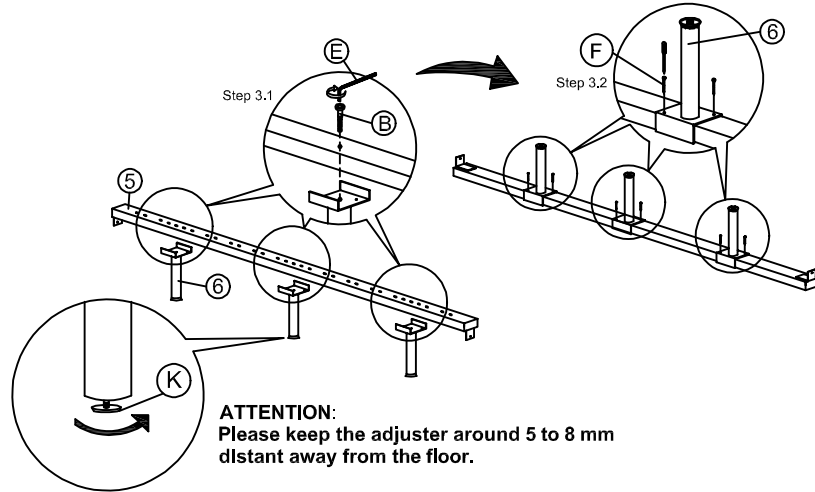
2



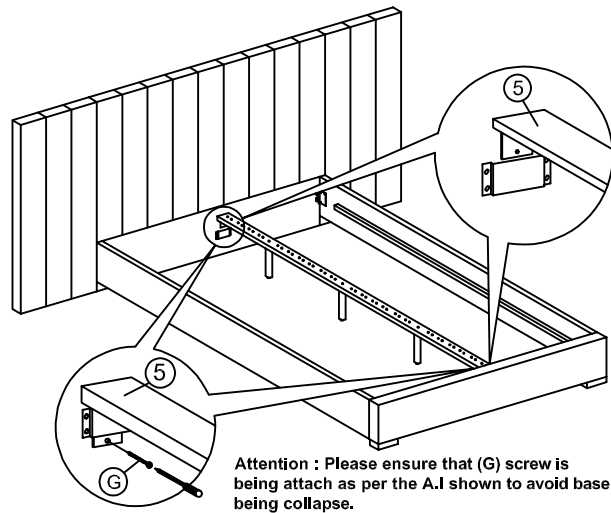
ASSEMBLY INSTRUCTION

QUEEN

3



4



5

When installing slat, ensure that curve is facing upwards. (✓) (X)

