



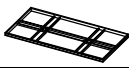
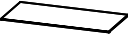
ASSEMBLY INSTRUCTION

Model: DV8015CT#

Model: Coffee table

Thank you for purchasing this quality product, be sure to check all the packing materials carefully. When you received, please pay attention to the products, which may cause deformed during the shipment.

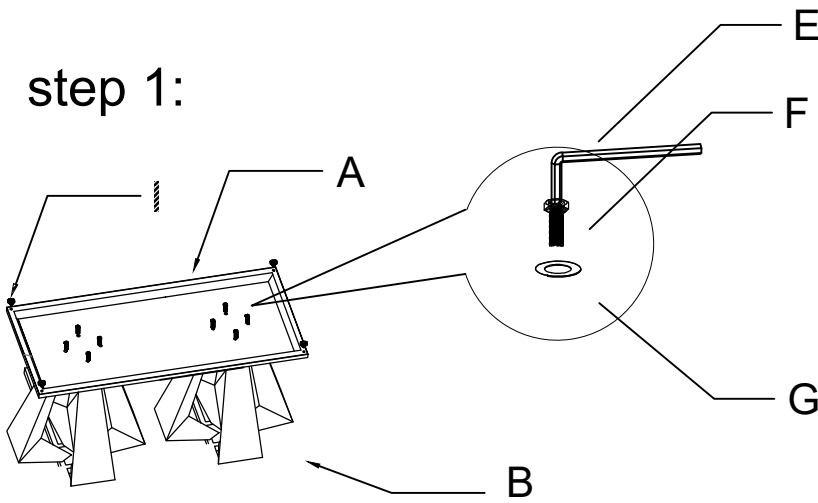
PART LIST

NO.	Designation	Quantity	Diagram
A	Stainless steel base	1	
B	Stainless steel pillar	8	
C	Table top frame	1	
D	Table top	1	

HARDWARE LIST

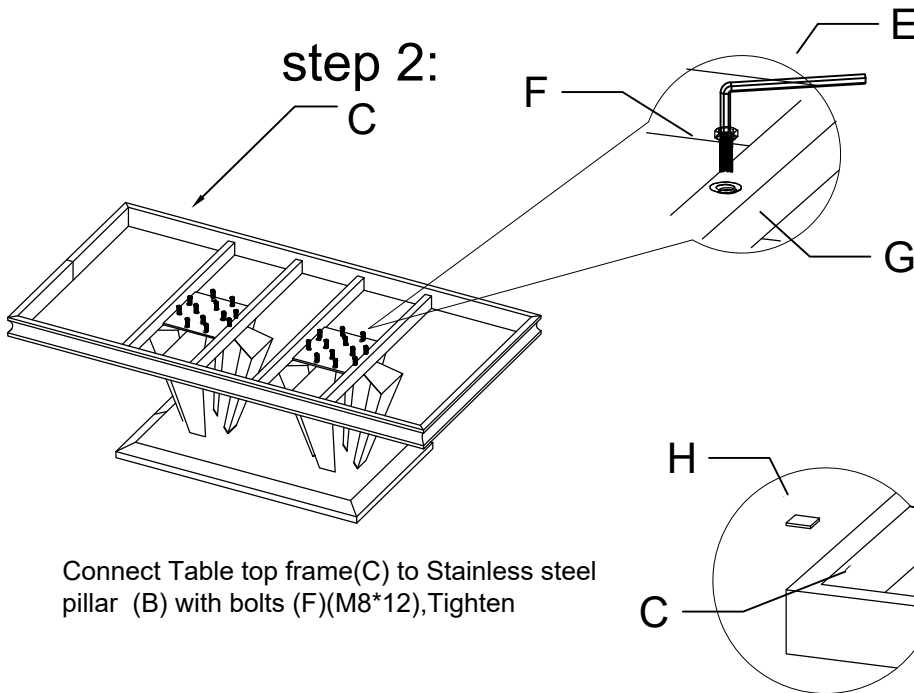
NO.	Designation	Quantity	Size	Diagram
E	Allen key	1	M6	
F	Screw	8	M8*20	
F	Screw	24	M8*12	
G	Washer	32	Dia17mm	
H	Mat	4	19*19*2	

step 1:



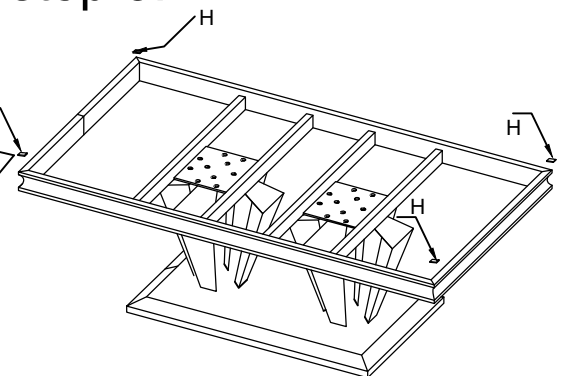
Fit the adjust legs (I) to bottom base, Connect Stainless steel pillar (B) with Stainless steel base (A) by Screw (F) (M8*20), tighter, one by one

step 2:



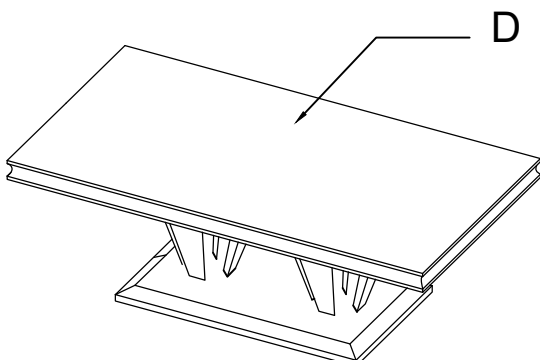
Connect Table top frame (C) to Stainless steel pillar (B) with bolts (F) (M8*12), Tighten

step 3:



Stick the mat (H) on 4 corners of the Table Top frame (C)

step 4:



Assemble the Table top (D) on the frame by aligning all the corners gently