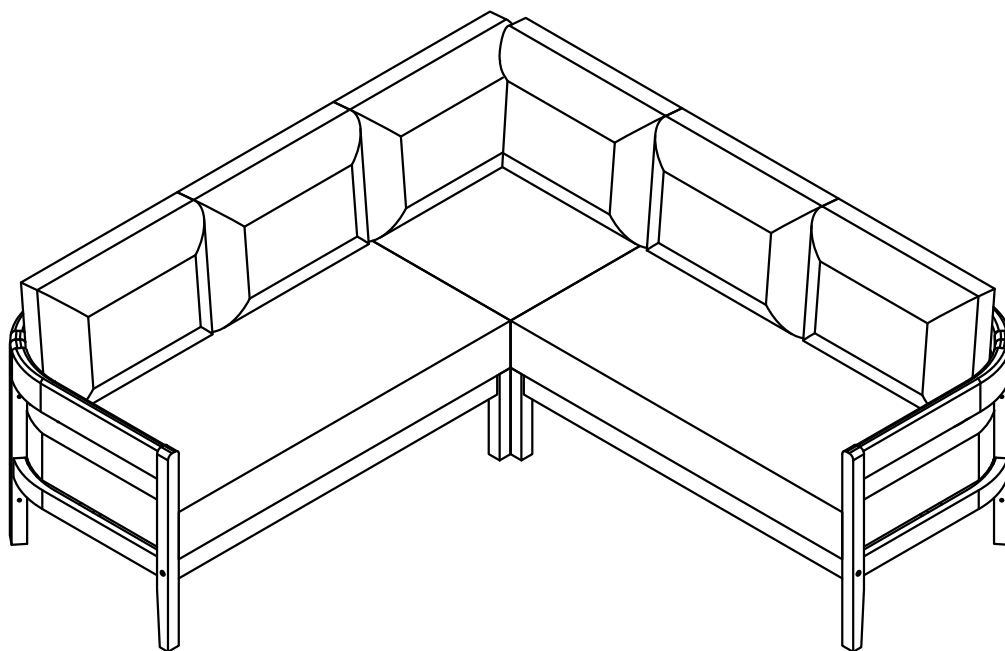


# **ASSEMBLY INSTRUCTION**

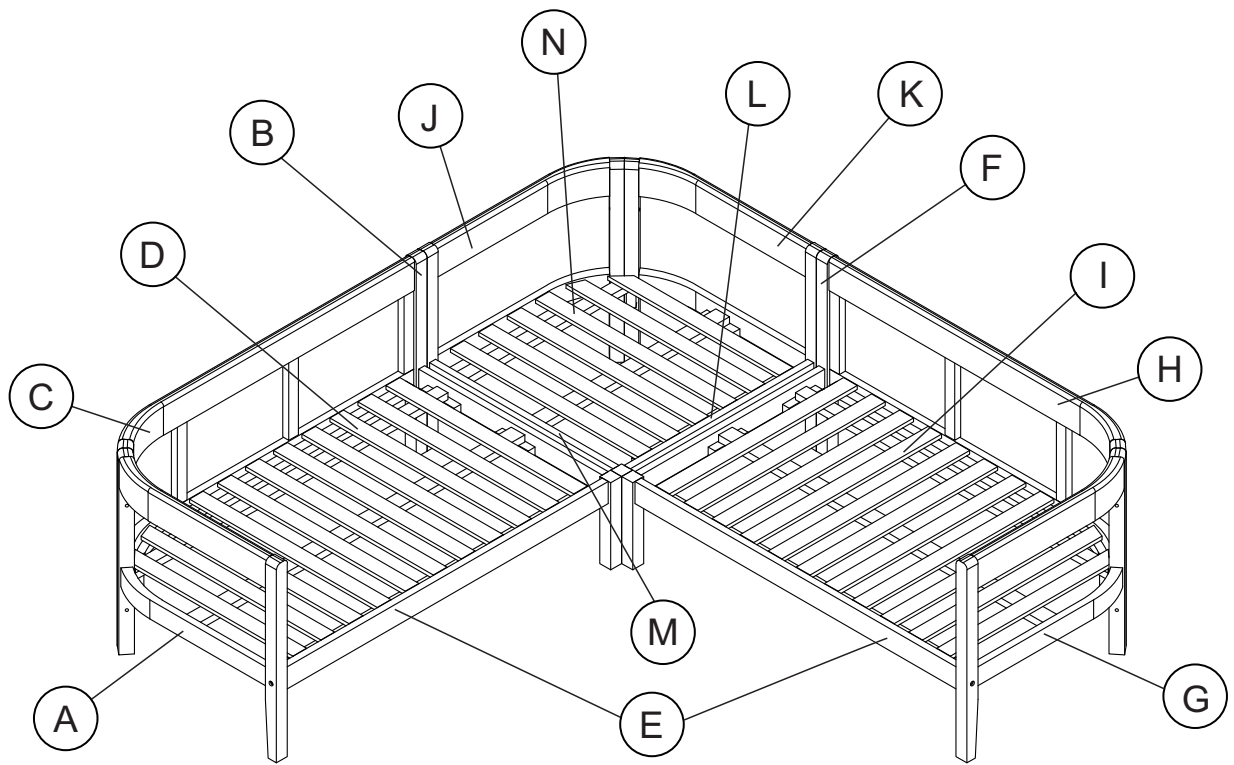
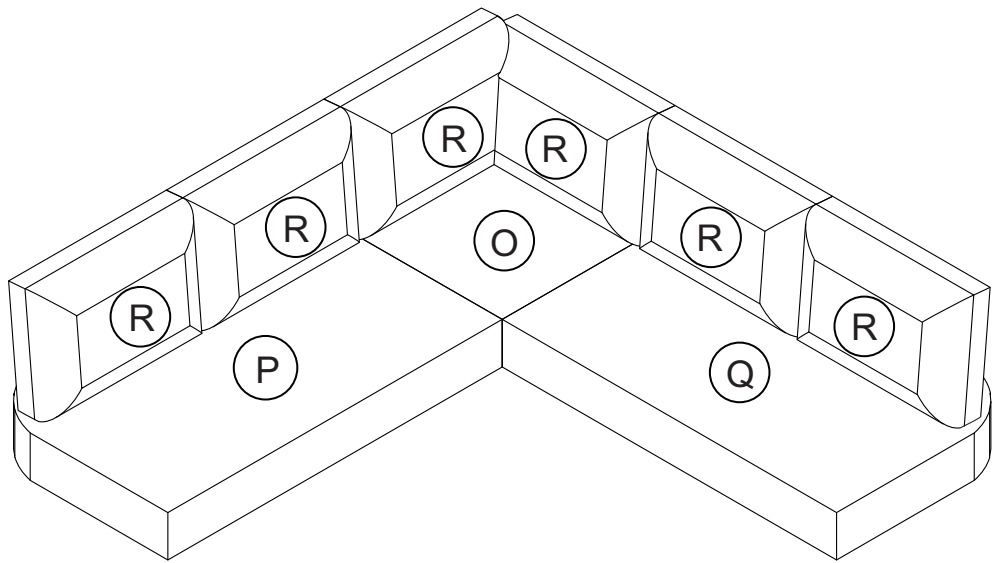
## **SOFA SET**

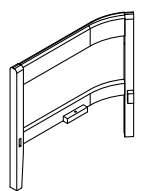
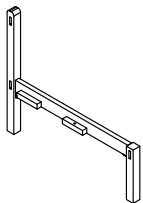
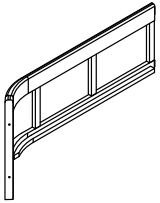
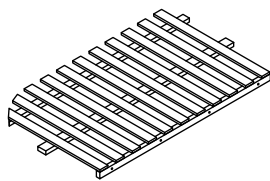
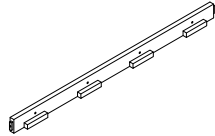
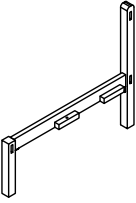
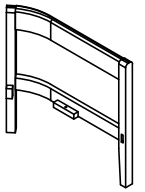
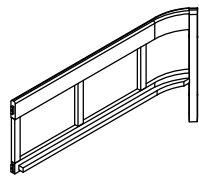
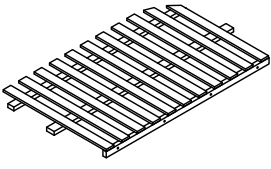
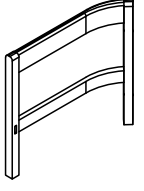
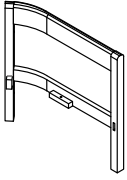
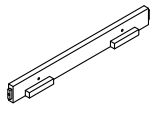
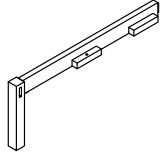
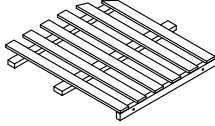
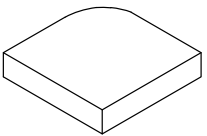
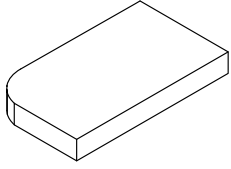
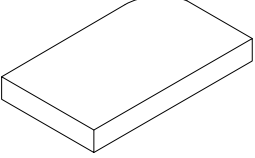
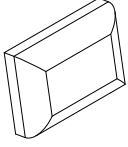
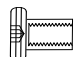
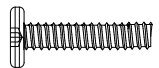





**N711P421915; N711P421916; N711P421917;N711P421918**

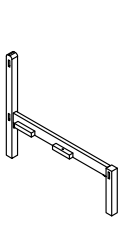
### **Notice**

- 1. 50% Tighten before fixings all screws, Allen wrench is recommended instead of an electric drill.**
- 2. Place the item on a flat ground to adjust and make sure it remains stable.**
- 3. Tighten up all screws with tools gradually.**
- 4. If the screws are not aligned with holes during assembly, please loosen all all the other screws to 50% and continue the assembly process.**
- 5. If the item is not stable, please loosen all the screws, adjust it on a flat ground and tighten up all screws again.**
- 6. Note: If one or more screws are fully tightened during assembly, chances are the others will not be aligned with holes. In addition, all the holes are designed to be relatively larger to provide more space for the adjustment of the screws.**

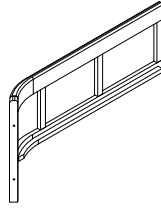


<p><b>A</b></p>  <p>1 pc</p>	<p><b>B</b></p>  <p>1 pc</p>	<p><b>C</b></p>  <p>1 pc</p>
<p><b>D</b></p>  <p>1 pc</p>	<p><b>E</b></p>  <p>2 pcs</p>	<p><b>F</b></p>  <p>1 pc</p>
<p><b>G</b></p>  <p>1 pc</p>	<p><b>H</b></p>  <p>1 pc</p>	<p><b>I</b></p>  <p>1 pc</p>
<p><b>J</b></p>  <p>1 pc</p>	<p><b>K</b></p>  <p>1 pc</p>	<p><b>L</b></p>  <p>1 pc</p>
<p><b>M</b></p>  <p>1 pc</p>	<p><b>N</b></p>  <p>1 pc</p>	<p><b>O</b></p>  <p>1 pc</p>
<p><b>P</b></p>  <p>1 pc</p>	<p><b>Q</b></p>  <p>1 pc</p>	<p><b>R</b></p>  <p>6 pcs</p>
<p><b>1</b></p>  <p>Sleeve Nut M6x15 mm (6 pcs)+extra (1 pc)</p>	<p><b>2</b></p>  <p>Bolt M6x40 mm (6 pcs)+extra (1 pc)</p>	<p><b>3</b></p>  <p>Screw M6x35 mm (16 pcs)+extra (1 pc)</p>
<p><b>4</b></p>  <p>Screw M7x70 mm (11 pcs)+extra (1 pc)</p>	<p><b>5</b></p>  <p>Allen Wrench 2 pcs</p>	

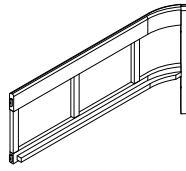
## N711P421915



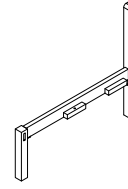
Bx1



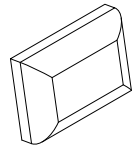
Cx1



Hx1

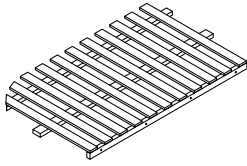


Fx1

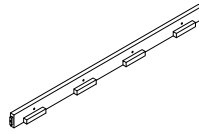


Rx5

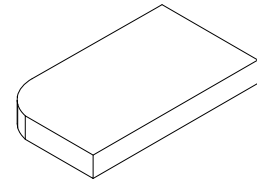
## N711P421916



Dx1

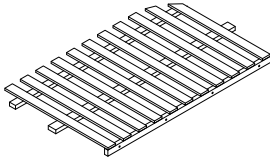


Ex1

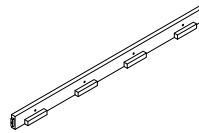


Px1

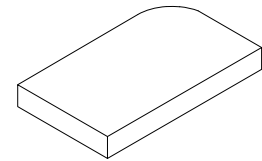
## N711P421917



lx1

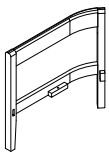


Ex1

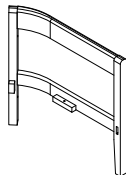


Qx1

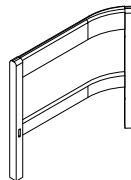
## N711P421918



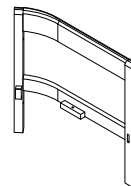
Ax1



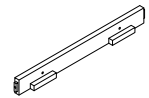
Gx1



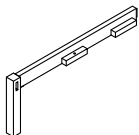
Jx1



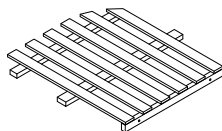
Kx1



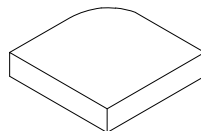
Lx1



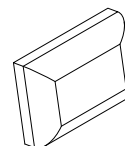
Mx1



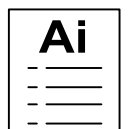
Nx1



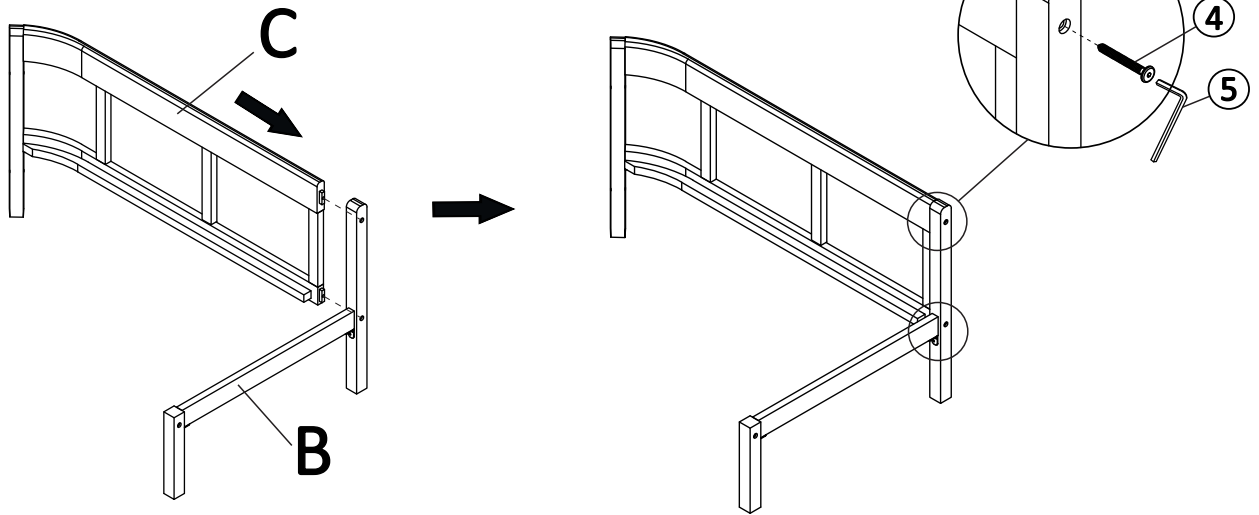
Ox1



Rx1

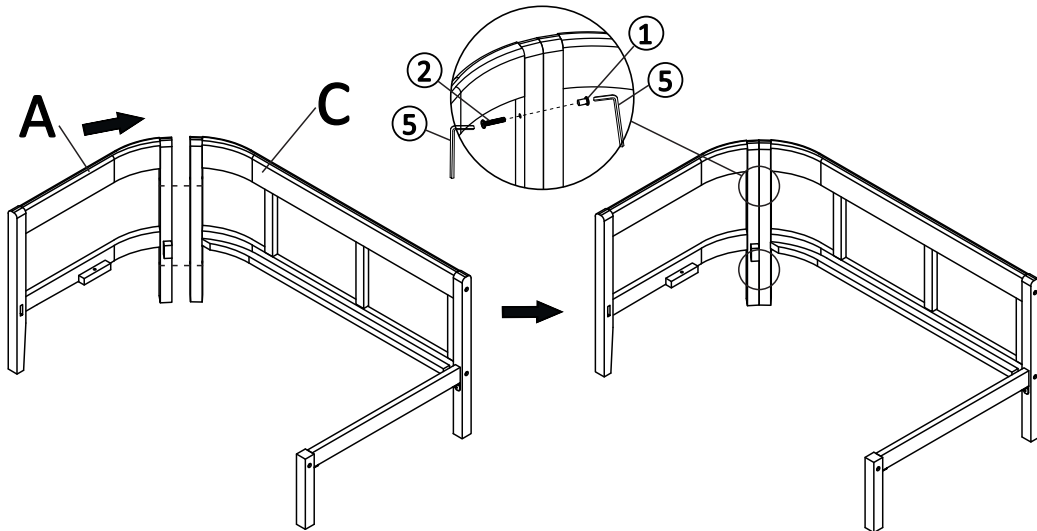


### Step 1



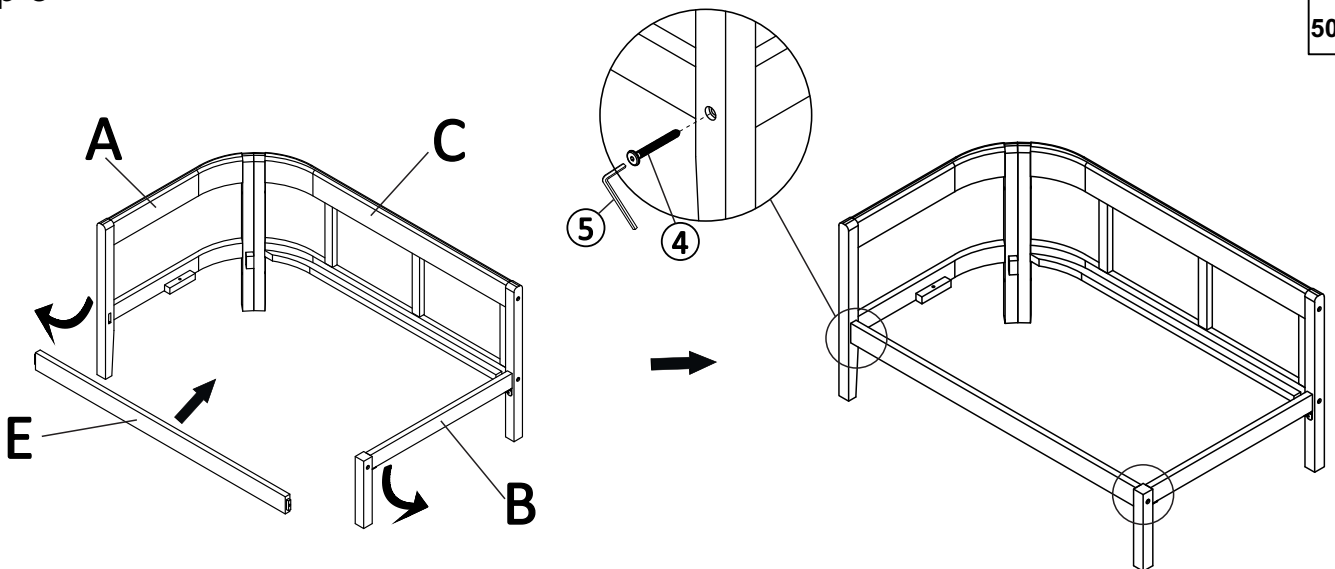
④ x2

### Step 2



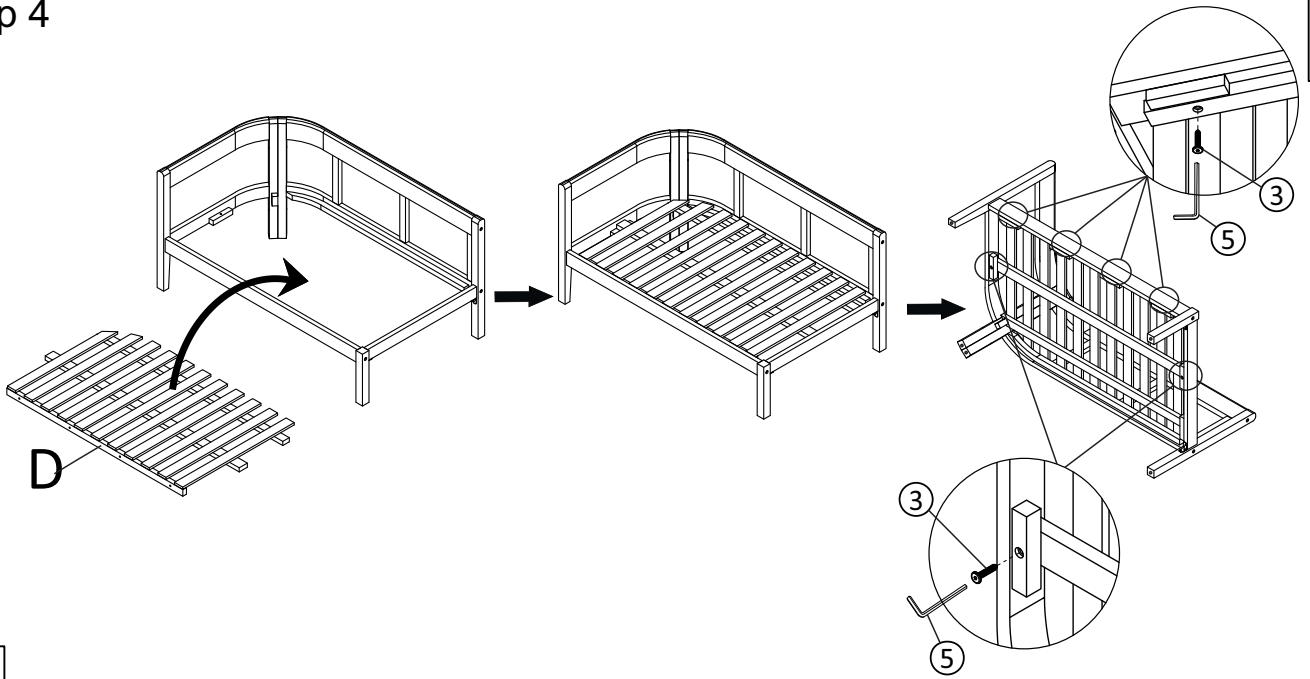
① x2 ② x2

### Step 3



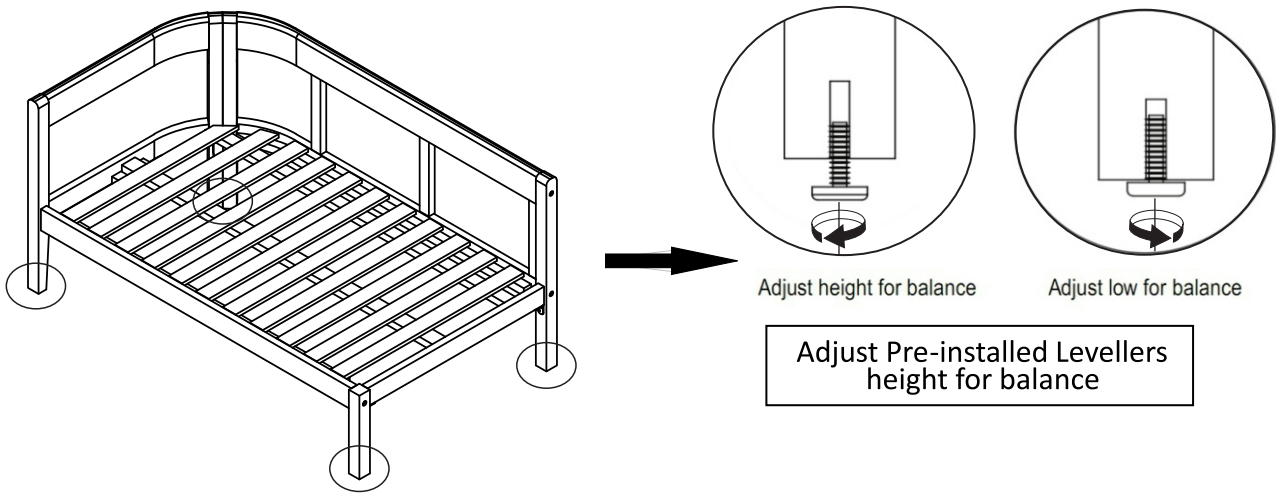
④ x2

### Step 4

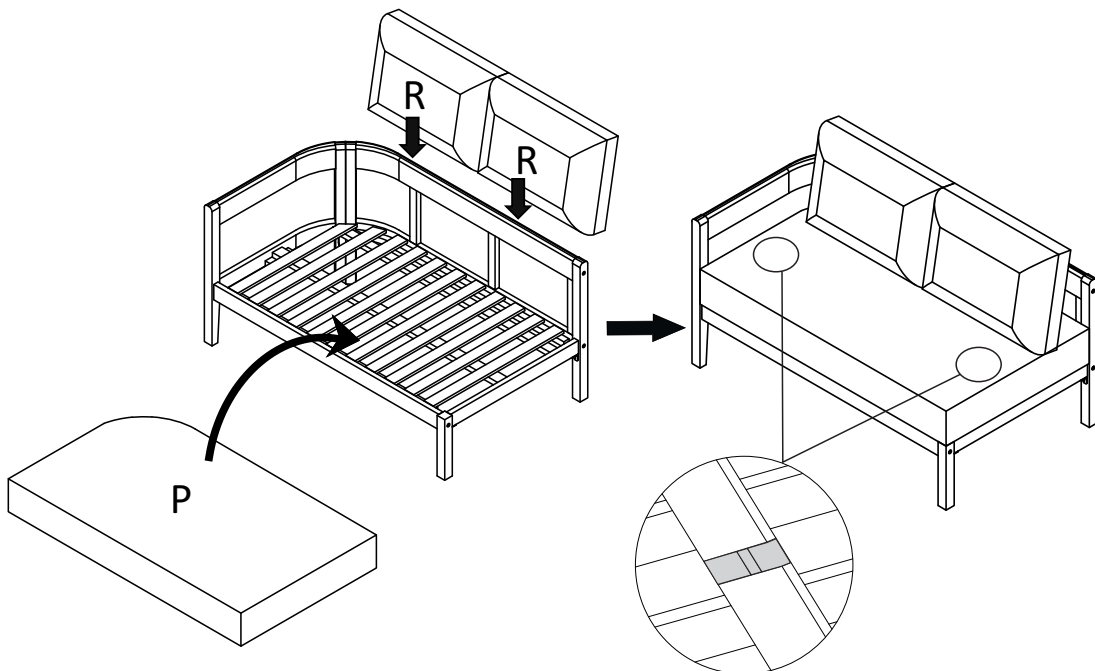


③ x6

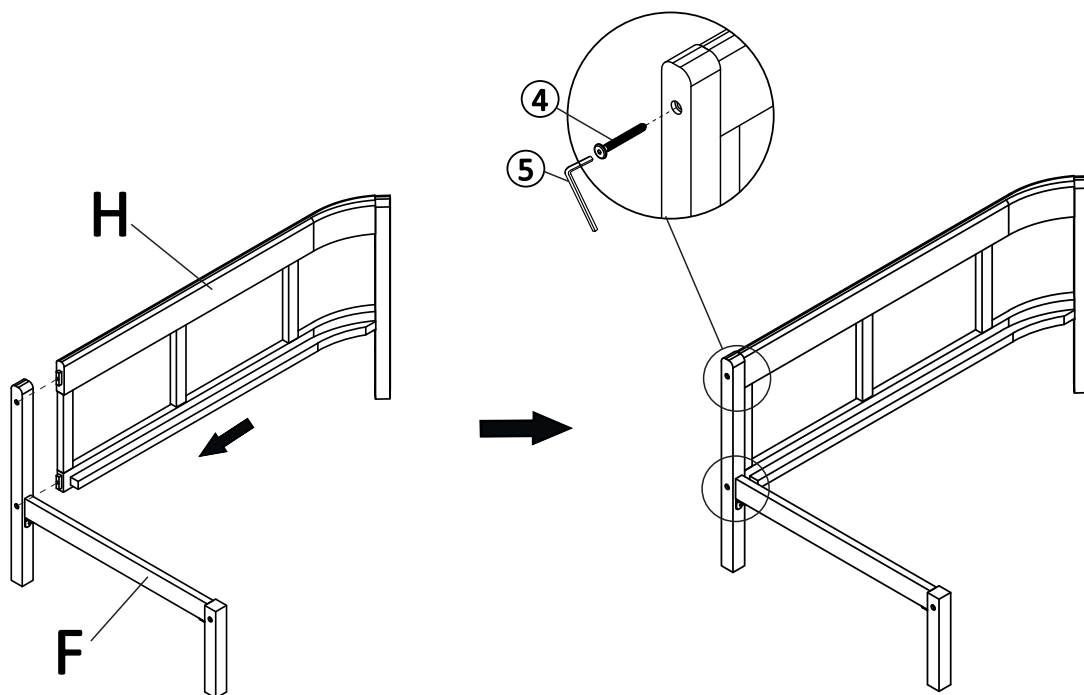
### Step 5



### Step 6

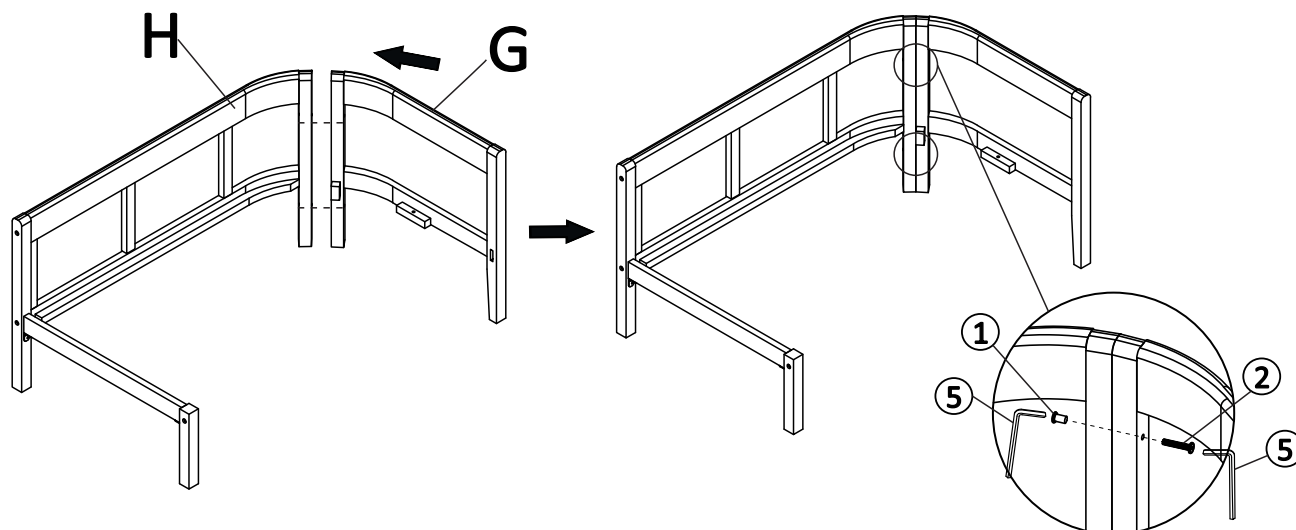


### Step 7



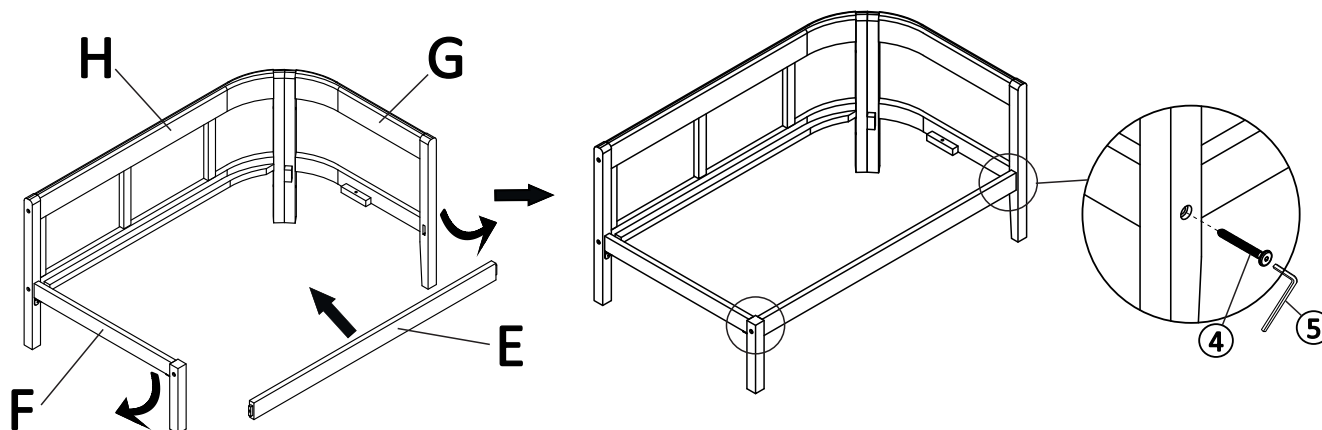
④ x2

### Step 8



① x2 ② x2

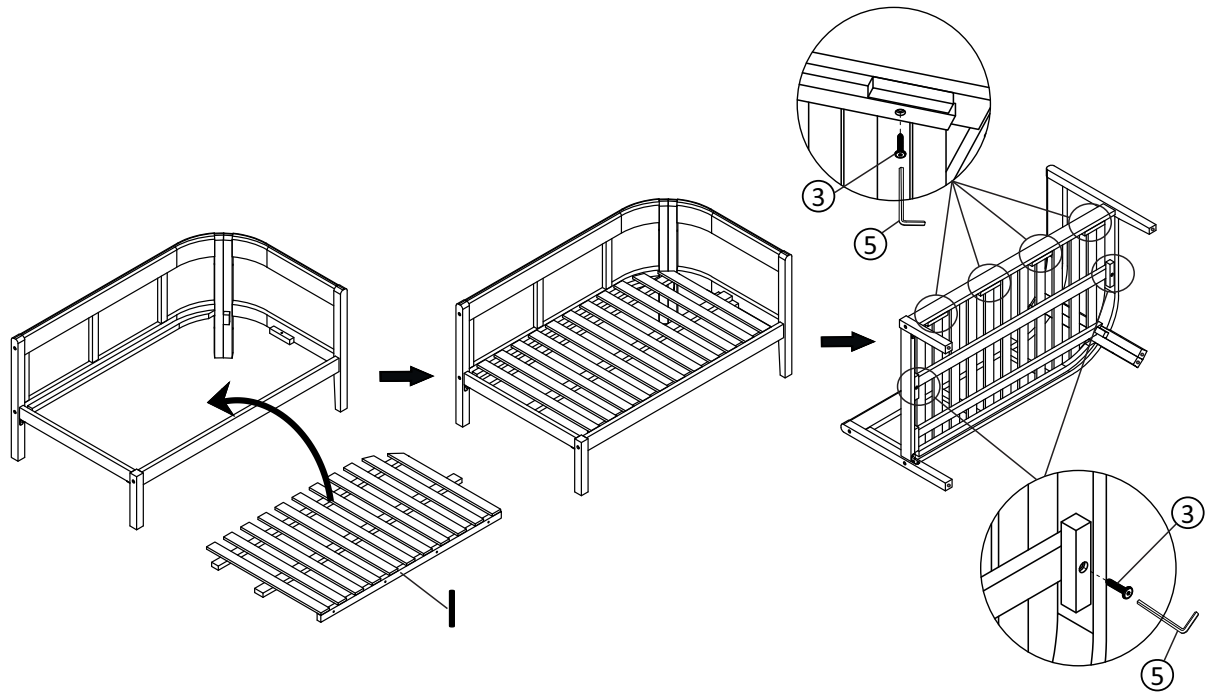
### Step 9



④ x2

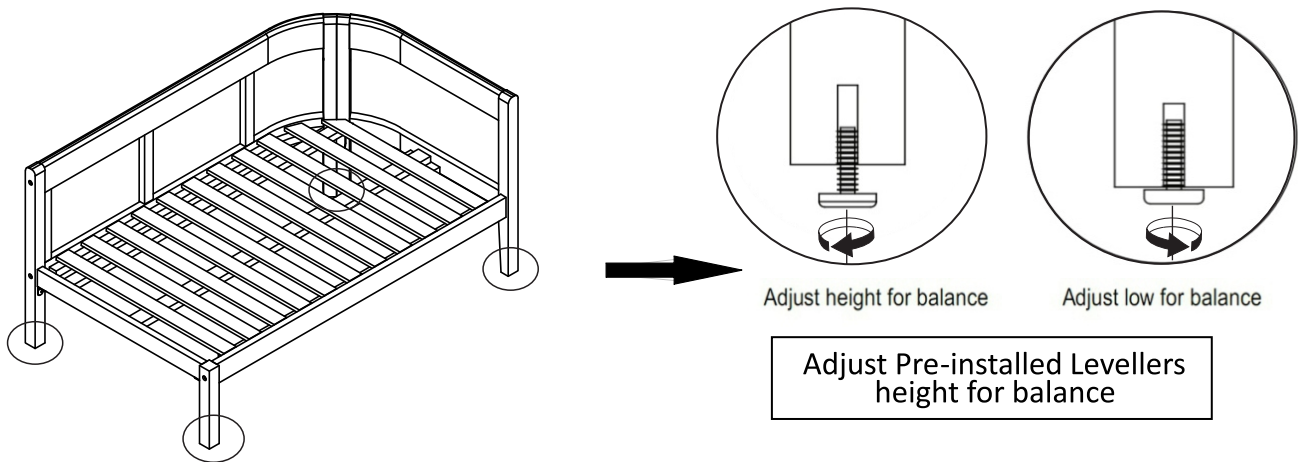
# Step 10

100%

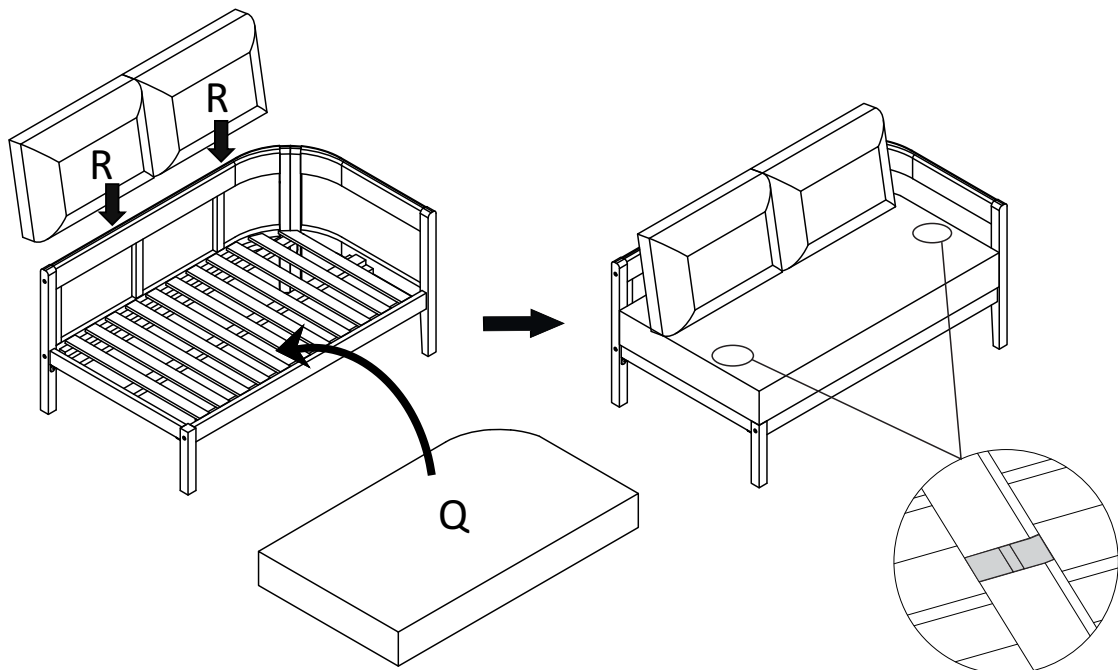


③ x6

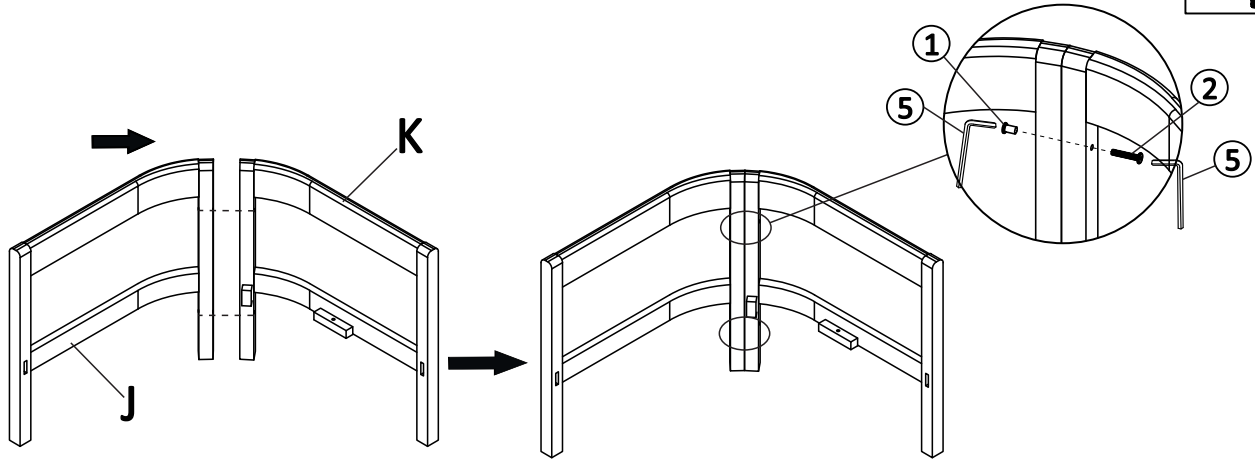
# Step 11



# Step 12

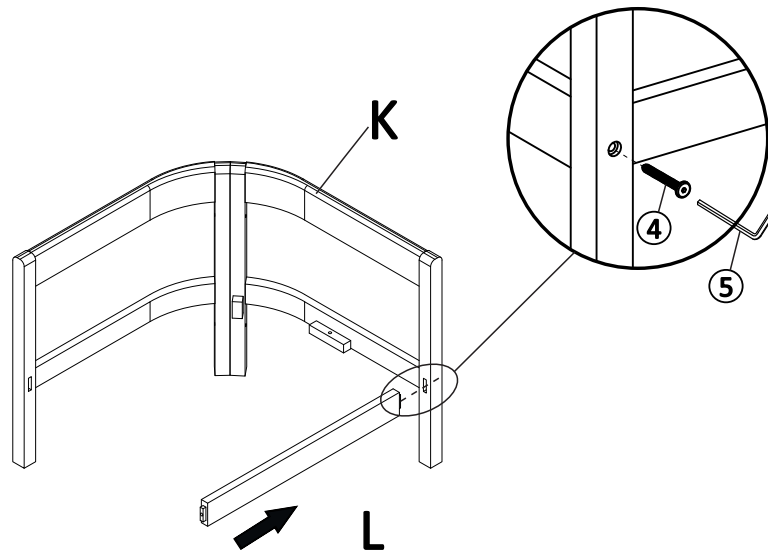


### Step 13



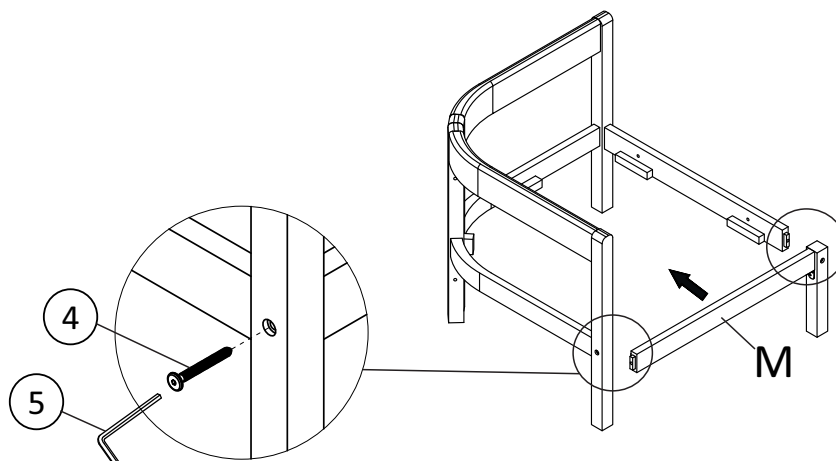
① x2   ② x2

### Step 14



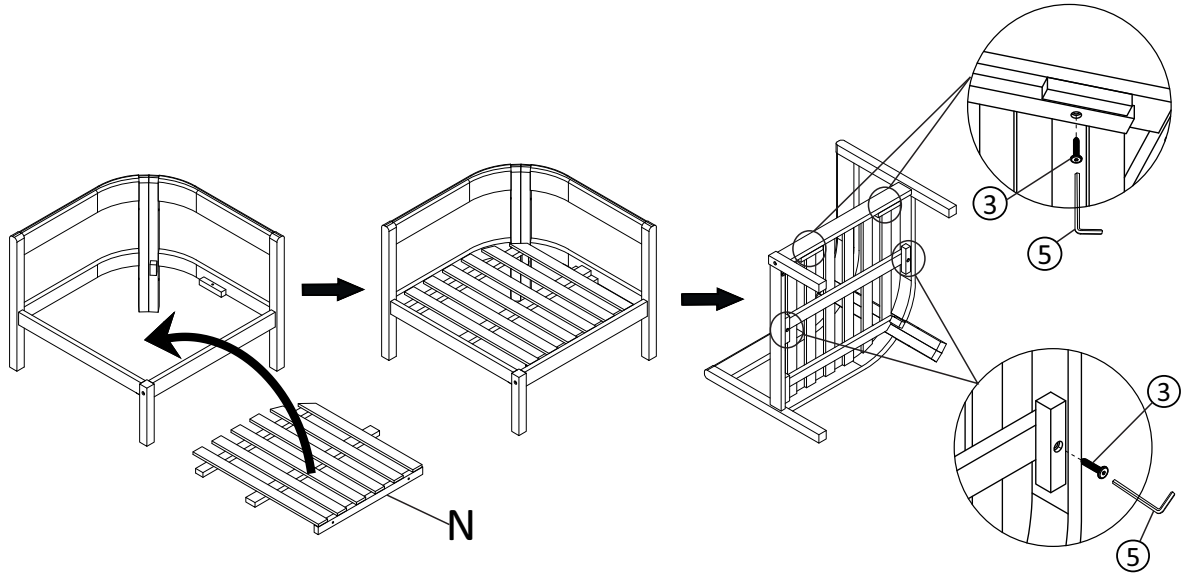
④ x1

### Step 15



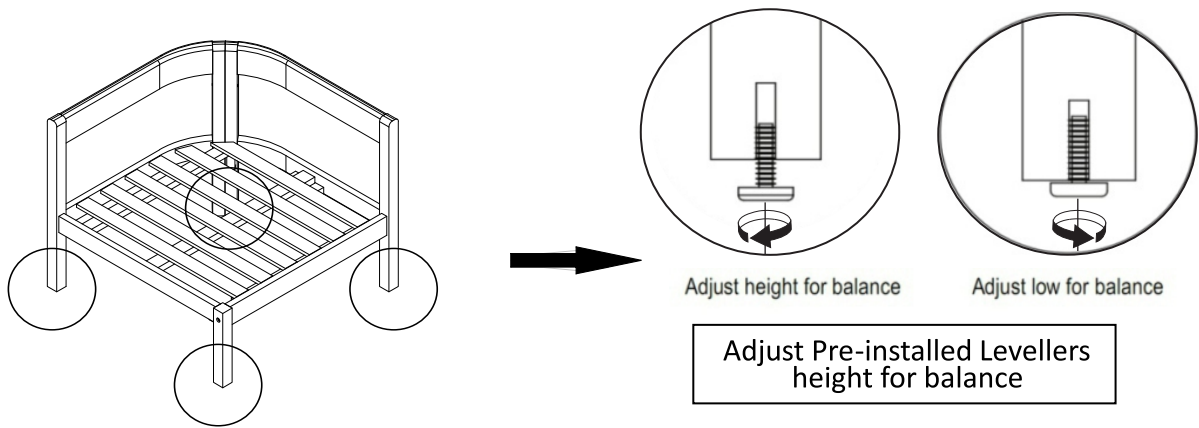
④ x2

# Step 16



③ x4

# Step 17



# Step 18

