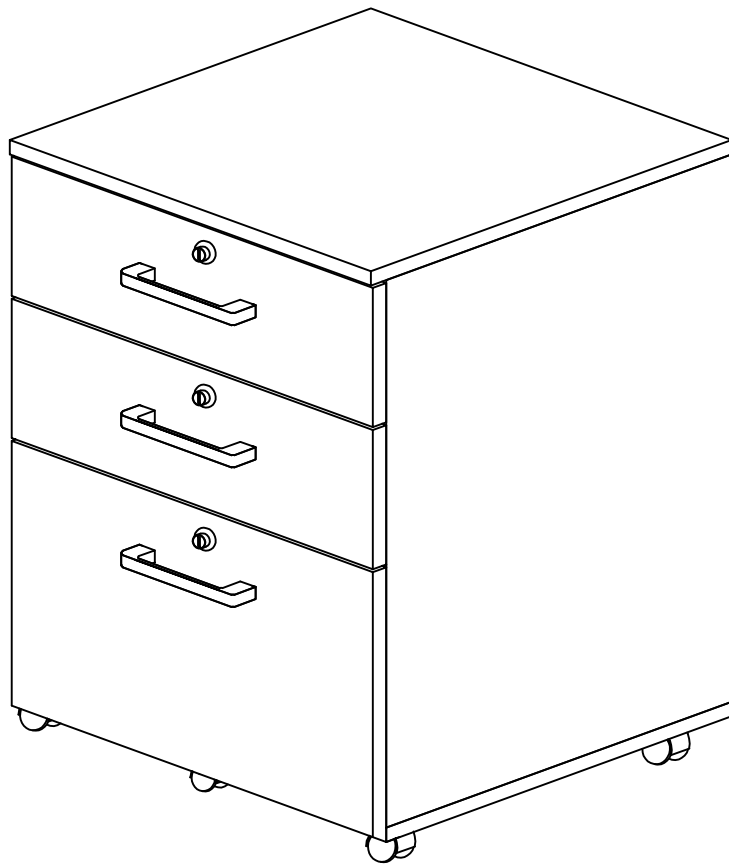
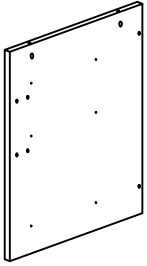
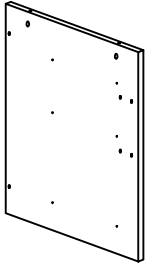
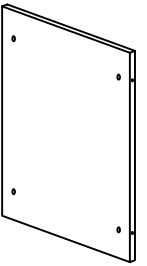
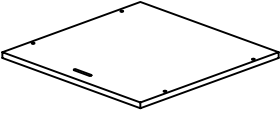
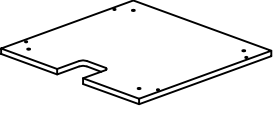
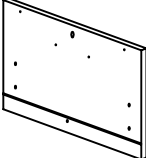
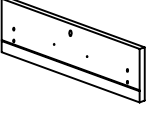
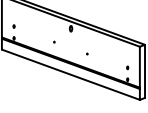
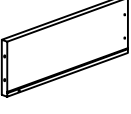
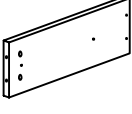
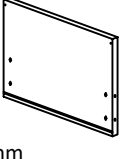


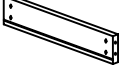
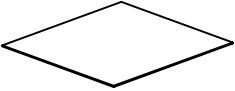
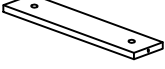




# Assembly Instruction






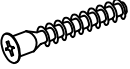
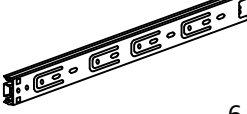

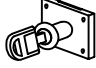
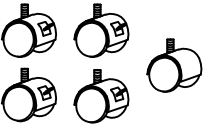
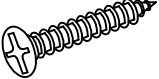



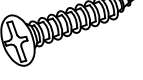


# Components of furniture

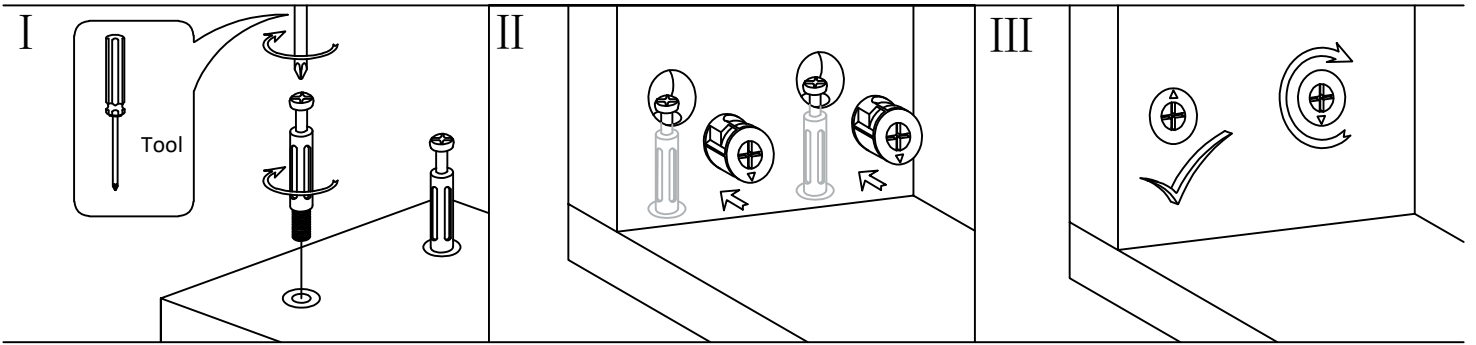
Please check the board number and the hole on the board

<p>1</p>  <p>570×384mm 1 PC</p>	<p>2</p>  <p>570×383mm 1 PC</p>	<p>3</p>  <p>570×370mm 1 PC</p>	<p>4</p>  <p>400×400mm 1 PC</p>	
<p>5</p>  <p>400×383mm 1 PC</p>	<p>6</p>  <p>400×297mm 1 PC</p>	<p>7</p>  <p>400×145mm 1 PC</p>	<p>8</p>  <p>400×145mm 1 PC</p>	
<p>9</p>  <p>350×150mm 1 PC</p>	<p>10</p>  <p>350×150mm 1 PC</p>	<p>11</p>  <p>316×277mm 1 PC</p>	<p>12</p>  <p>350×75mm 2 PCS</p>	<p>13</p>  <p>350×75mm 2 PCS</p>
<p>14</p>  <p>316×75mm 2 PCS</p>	<p>15</p>  <p>345×323mm 3 PCS</p>	<p>16</p>  <p>315×70mm 1 PC</p>	<p>17</p>  <p>70×70mm 1 PC</p>	<p>18</p>  <p>370×70mm 2 PCS</p>

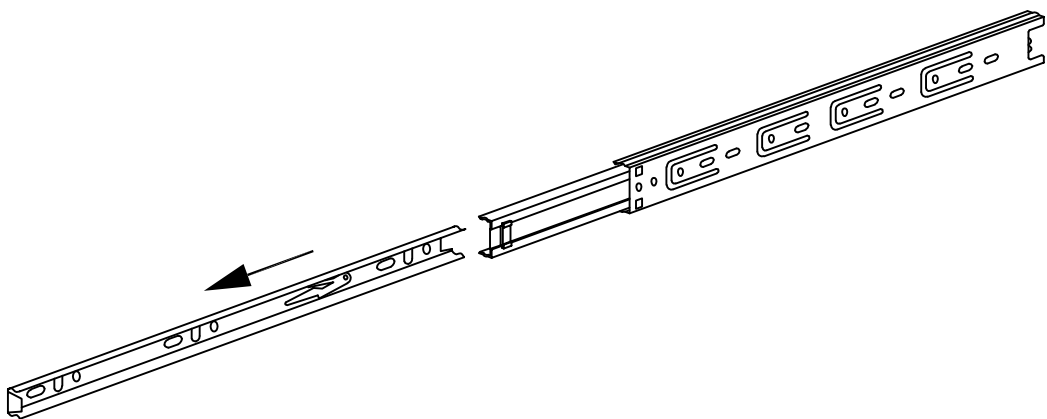
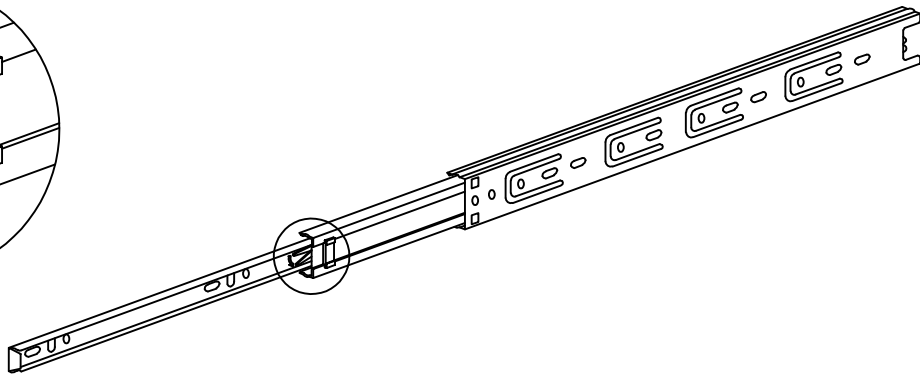
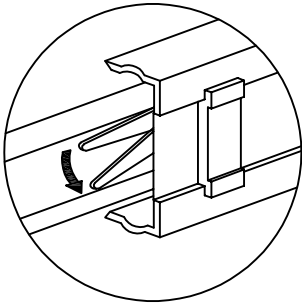
## Hardware accessories

<p>A</p>  <p>30 PCS</p>	<p>B</p>  <p>M5×50mm 12 PCS</p>	<p>C</p>  <p>M3.5×12mm 43 PCS</p>	<p>D</p>  <p>3 PCS</p>
<p>E</p>  <p>M4×18mm 6 PCS</p>	<p>F</p>  <p>M7×40mm 4 PCS</p>	<p>G</p>  <p>6 PCS</p>	<p>H</p>  <p>2 PCS</p>
<p>I</p>  <p>3 PCS</p>	<p>J</p>  <p>1 PC</p>	<p>K</p>  <p>M3.5×25mm 4 PCS</p>	<p>L</p>  <p>1 PC</p>
<p>M</p>  <p>2 PCS</p>	<p>N</p>  <p>5 PCS</p>	<p>O</p>  <p>M3.5×14mm 12 PCS</p>	

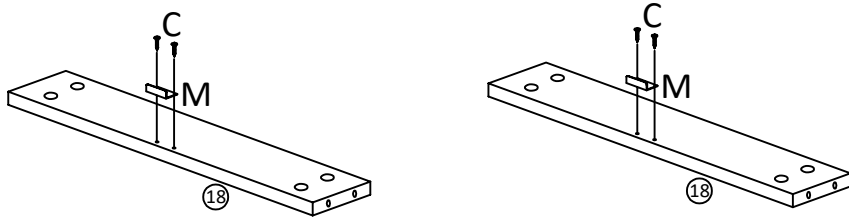
## "A" Hardware installation example





## "G" Hardware disassembly example

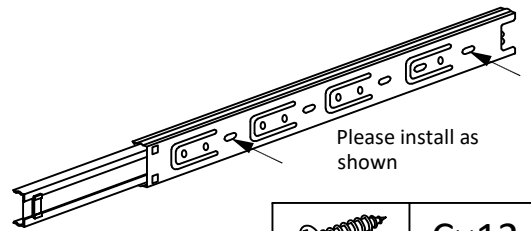
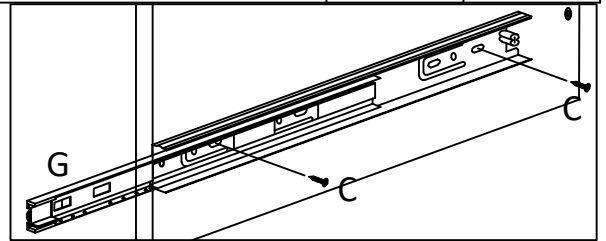
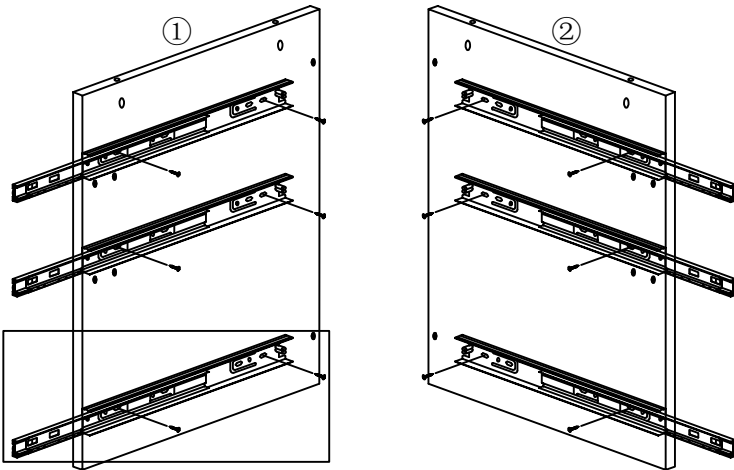




STEP 1



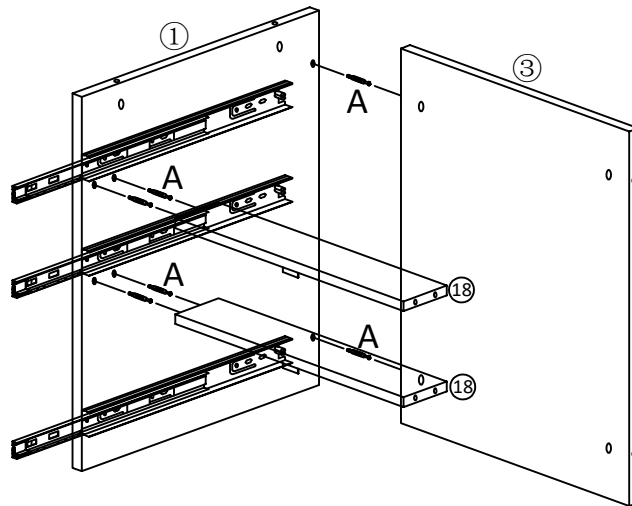
	Cx4
	Mx2

STEP 2



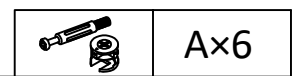
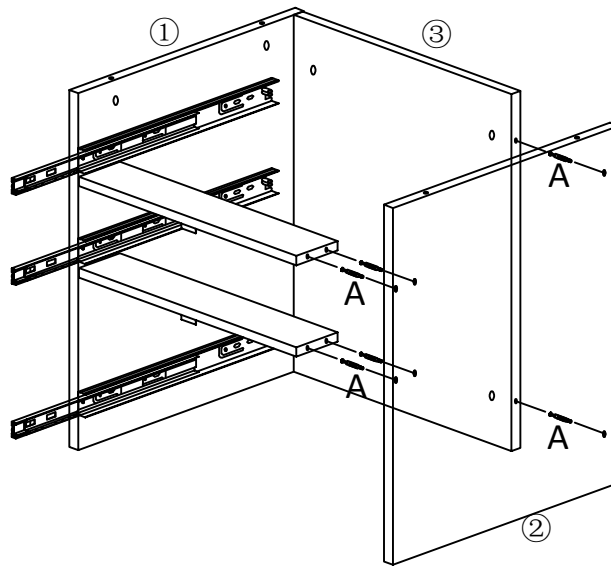
	Cx12
	Gx6

STEP 3

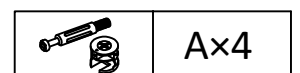
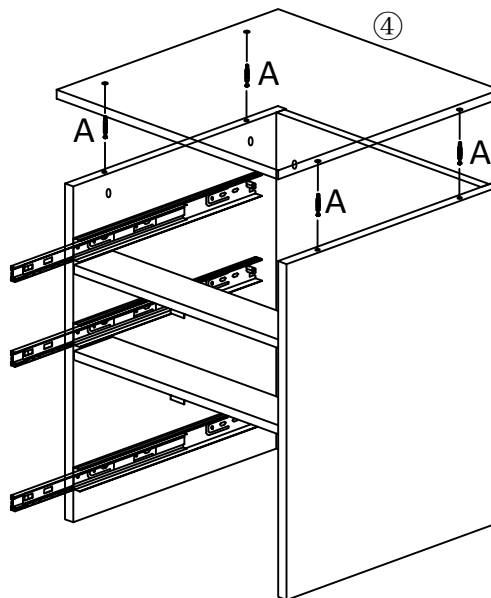


	Ax6
---	-----

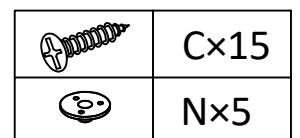
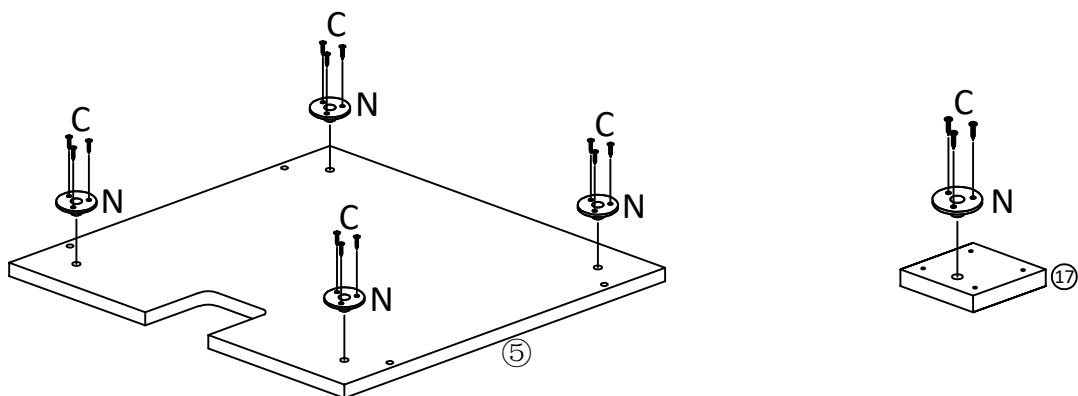
STEP 4



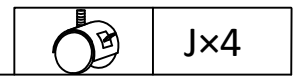
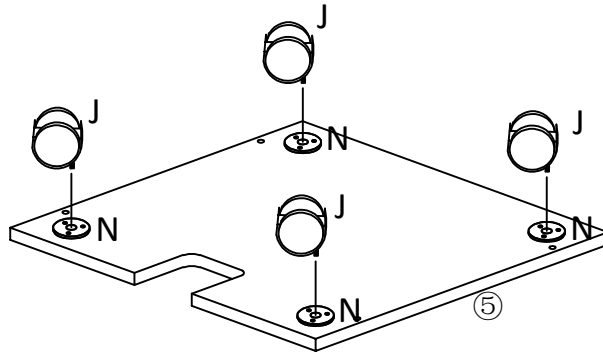
STEP 5



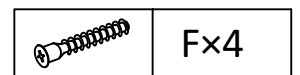
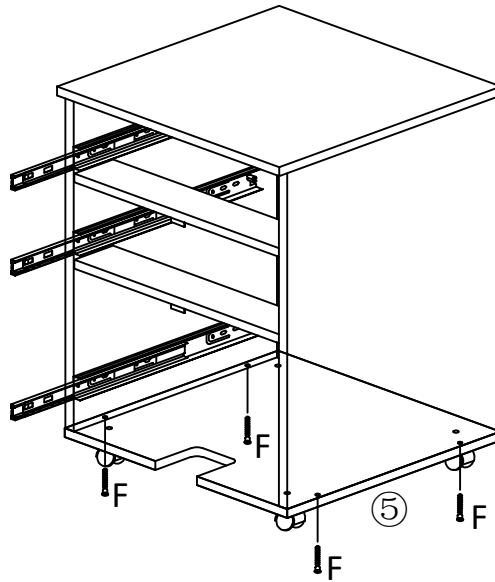
STEP 6



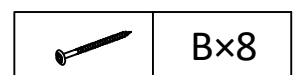
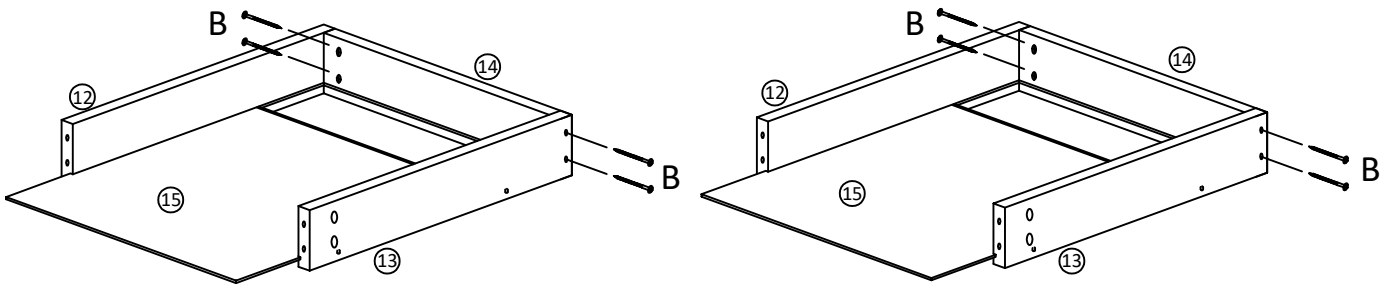
STEP 7



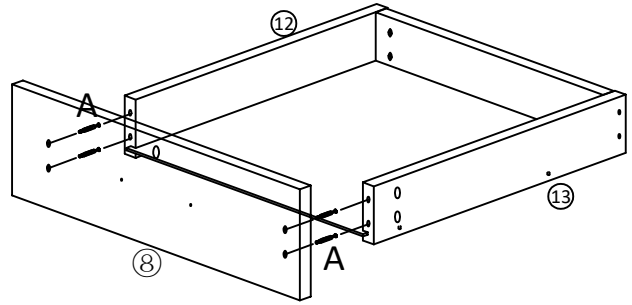
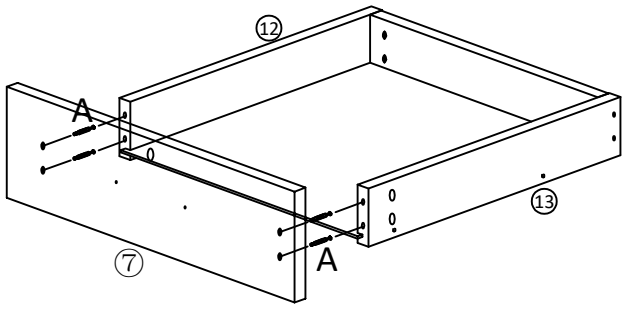
STEP 8



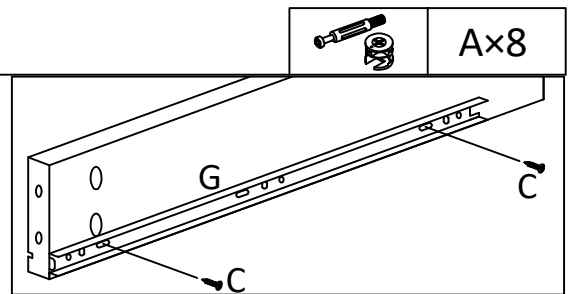
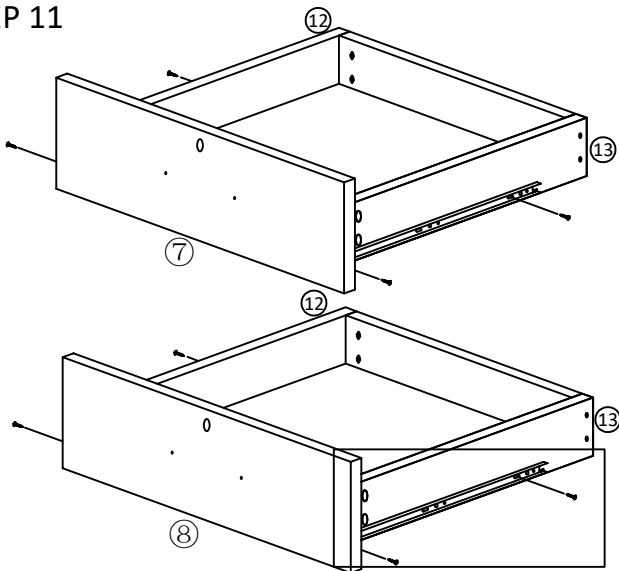
STEP 9



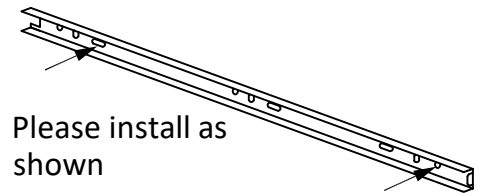
STEP 10





STEP 11

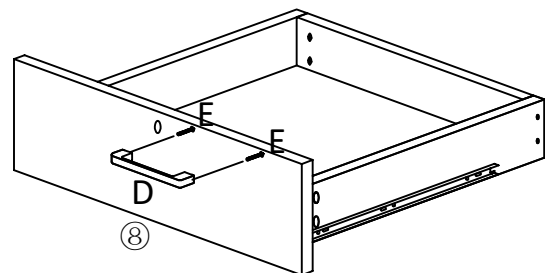
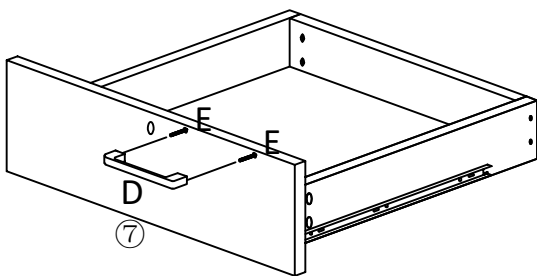




	Ax8
---	-----



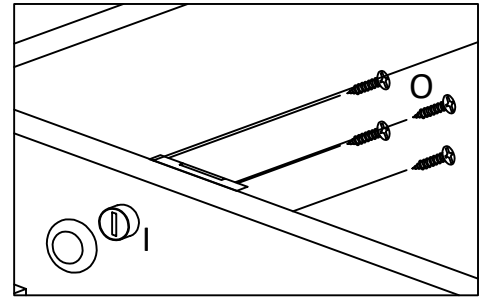
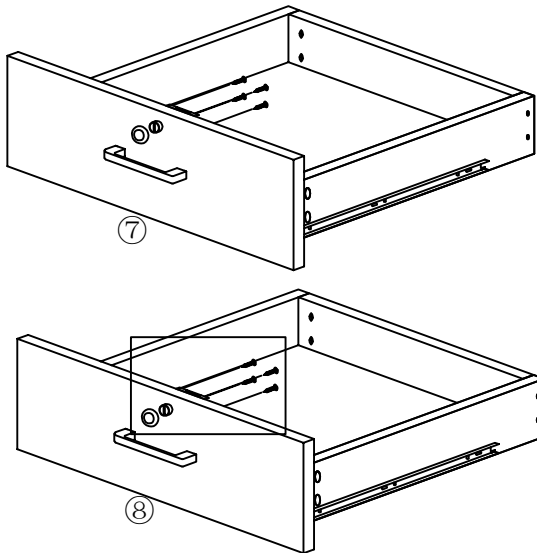
	Gx4
	Cx8



STEP 12



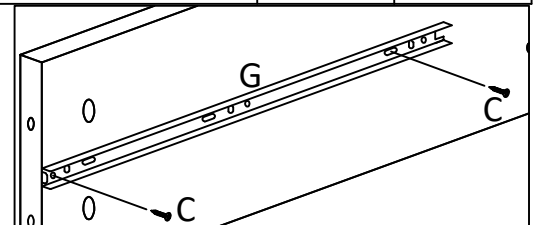
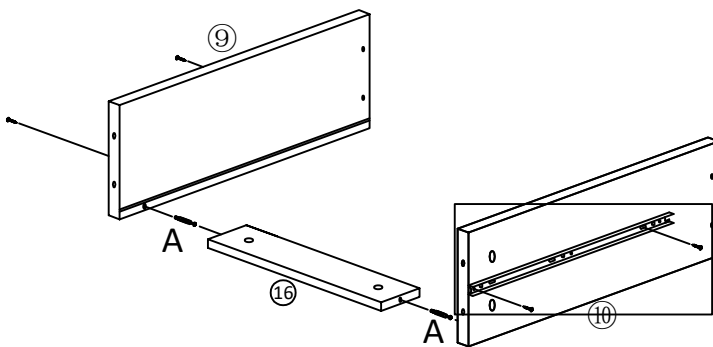
	Ex4
	Dx2

STEP 13






	Ox8
	Ix2

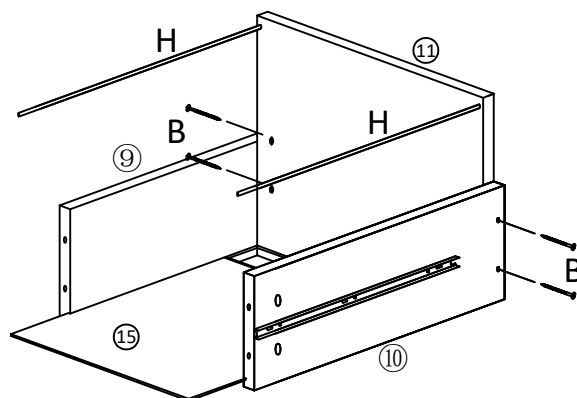
STEP 14




Please install as shown

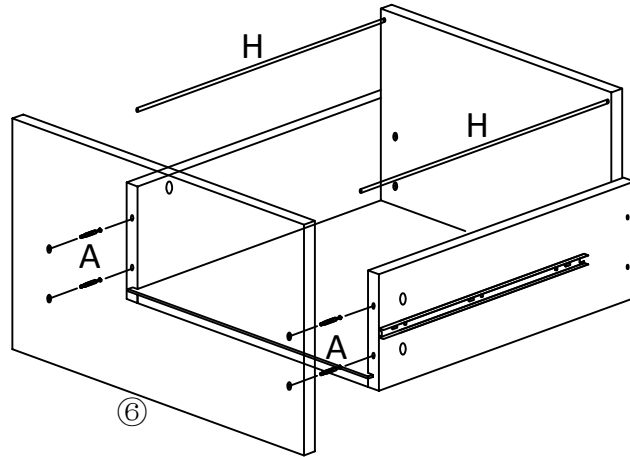
	Gx2
	Cx4
	Ax2



STEP 15



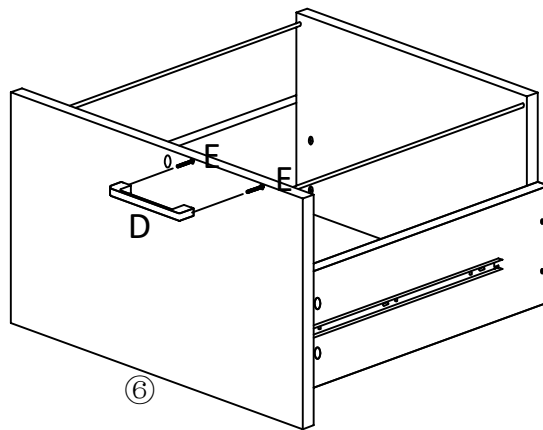
	Bx4
---	-----



STEP 16



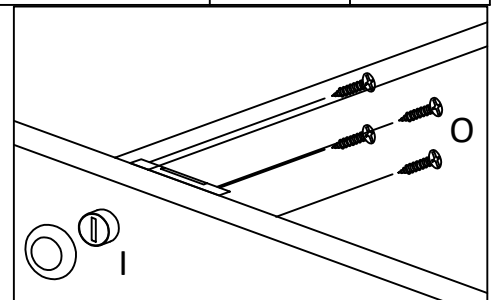
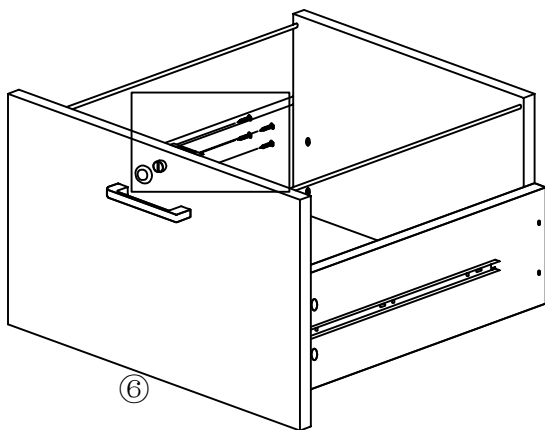
	H×2
	A×4

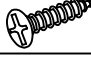

STEP 17



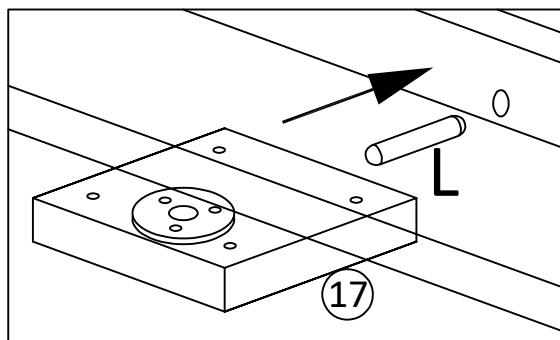
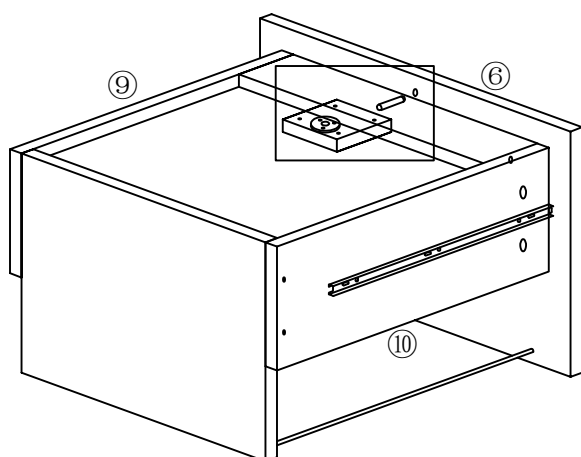
	E×2
	D×1

STEP 18

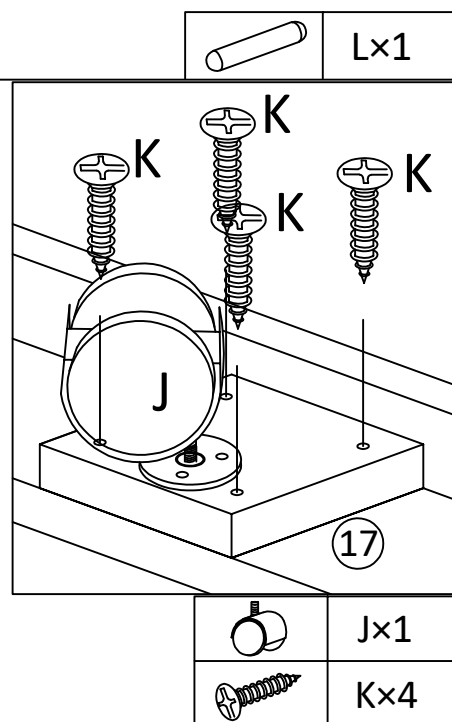
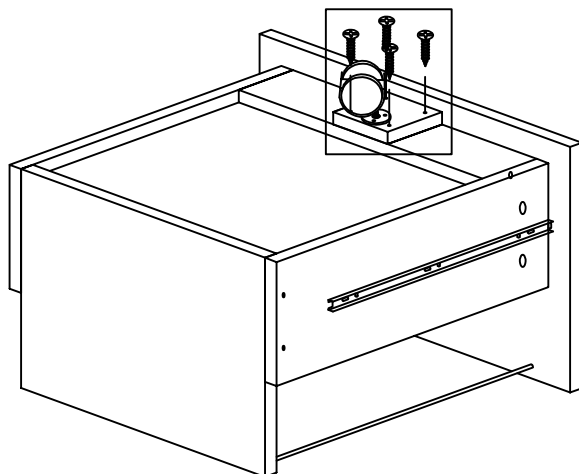


	O×4
	I×1

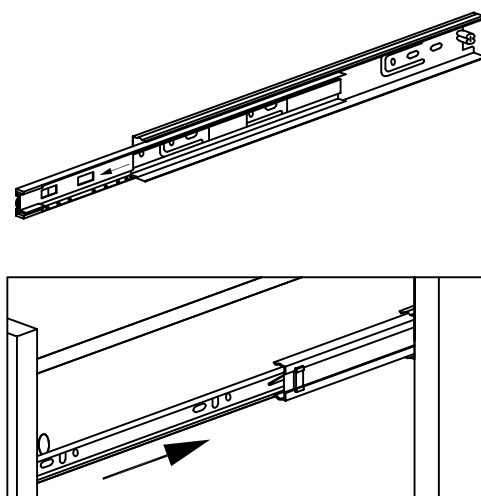
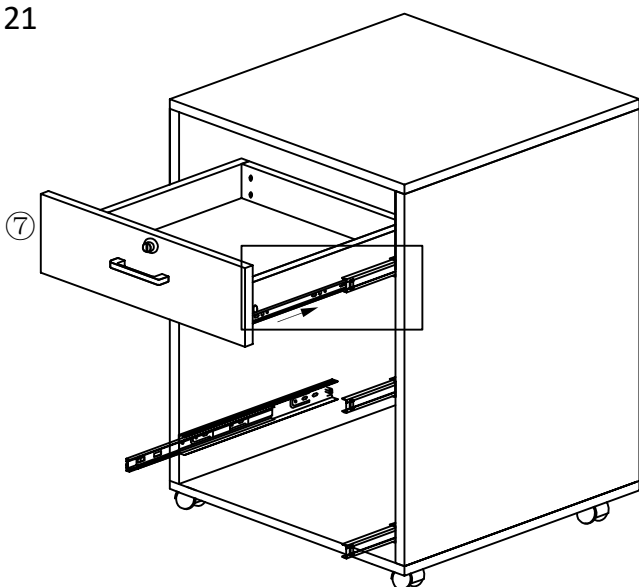
STEP 19



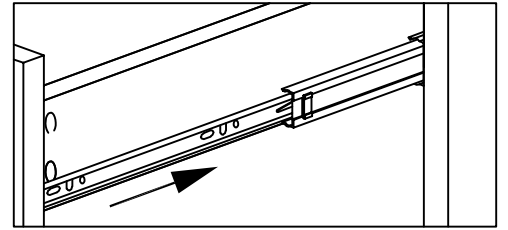
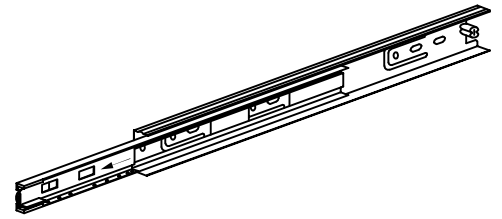
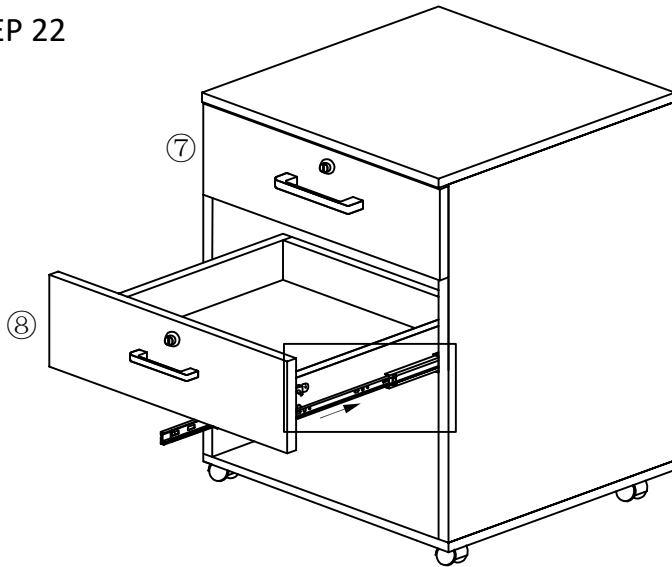
STEP 20



STEP 21



STEP 22



STEP 23

