









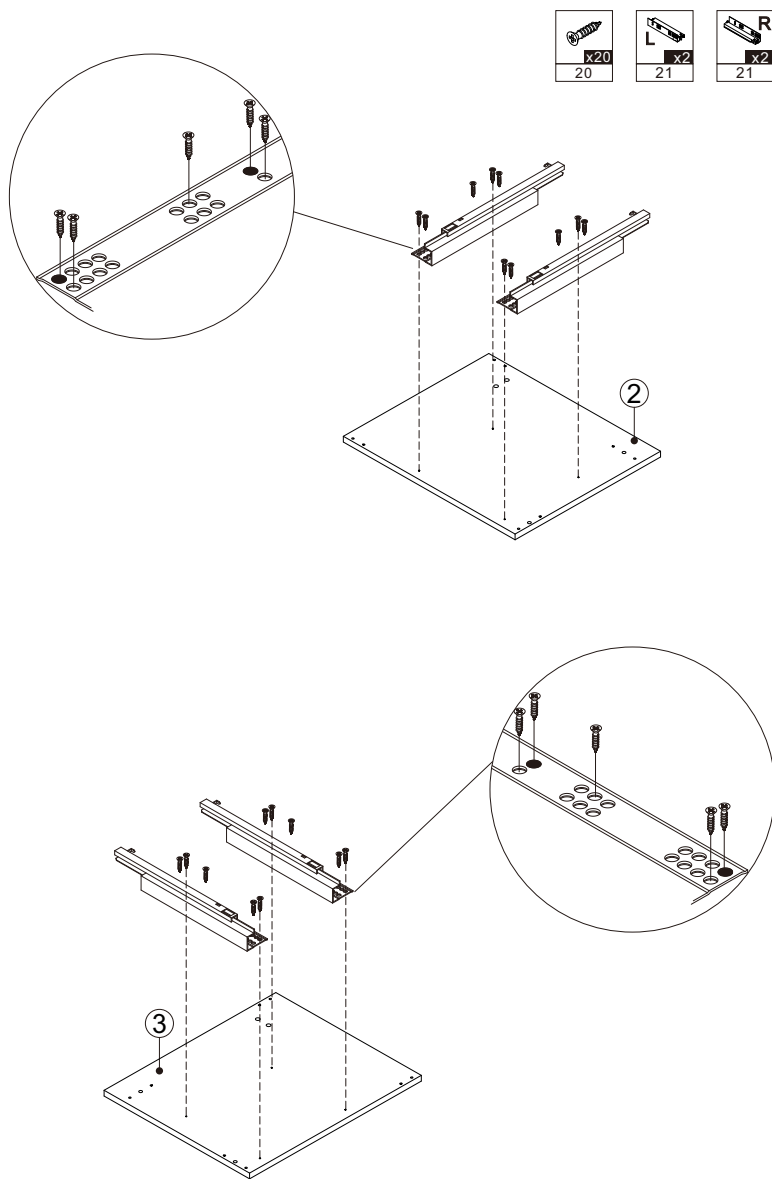


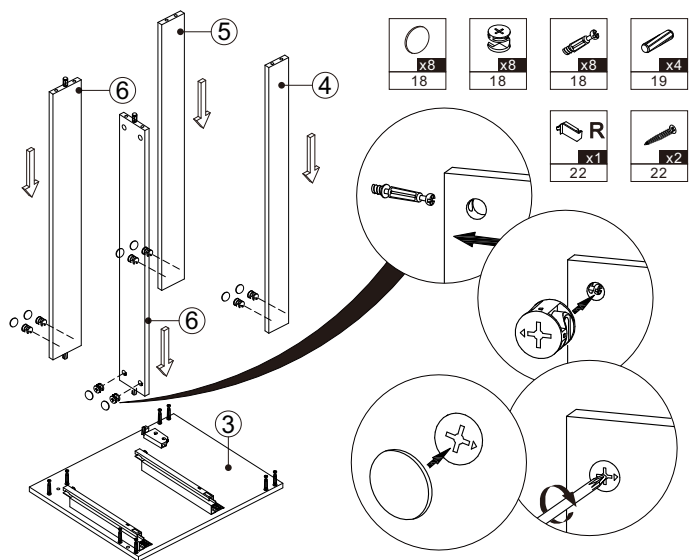
No.	Description	QTY
1	Mirror	1
2	Left Side Board	1
3	Right Side Board	1
4	Connect Board 4	1
5	Connect Board 5	1
6	Connect Board 6	2
7	Left Side Board For Drawer	2
8	Right Side Board For Drawer	2
9	Back Board For Up Drawer	1
10	Back Board For Up Drawer	1
11	Left Board For U Shape	1
12	Right Board For U Shape	1
13	Back Board For U Shape	1
14	Bottom Board For Drawer Up	1
15	Drawer Front	2

16	Back Board For Drawer Down	1
17	Bottom Board For Drawer Down	1
18	 Three-in-one Connector	32
19	 Wood Plug	12
20	 Screws M4x14	20
21	 Slider	2
22	 Screws M4x25	1
23	 Screws M4x20	12
24	 Screws M4x20	4
25	 Handle	2
26	 Screws M4.2x50 For Fix On The Wall	6
27	 Screws M4.2x38 For Fix On The Wall	2

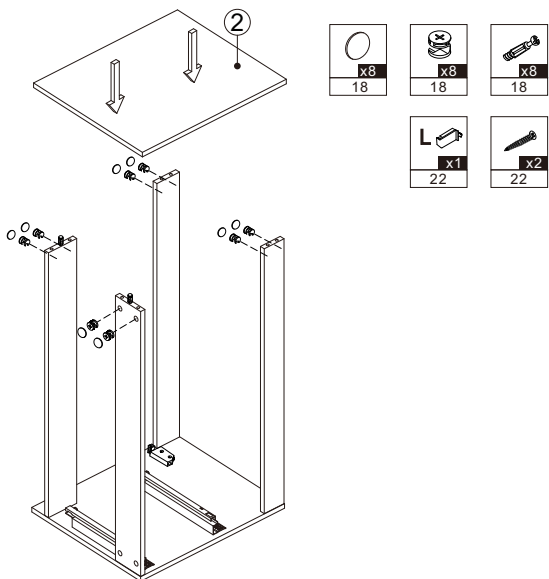
Step 1



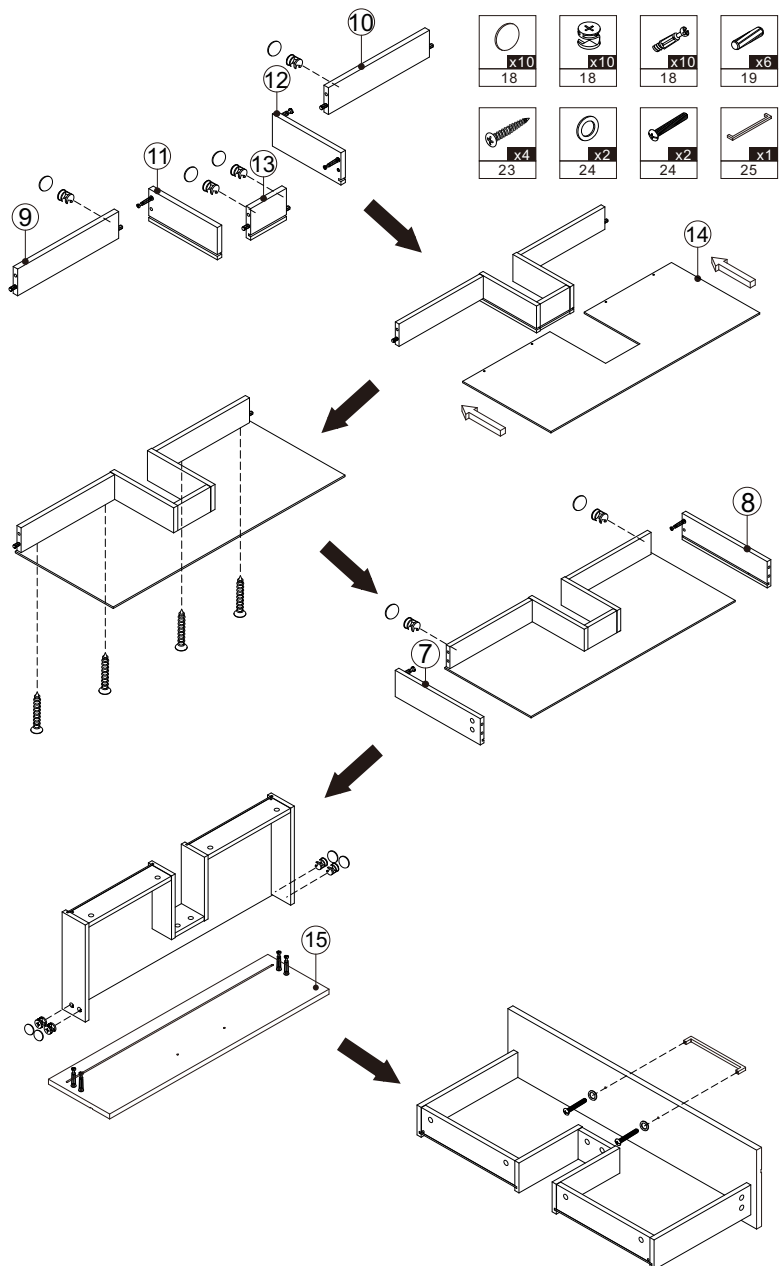
Step2



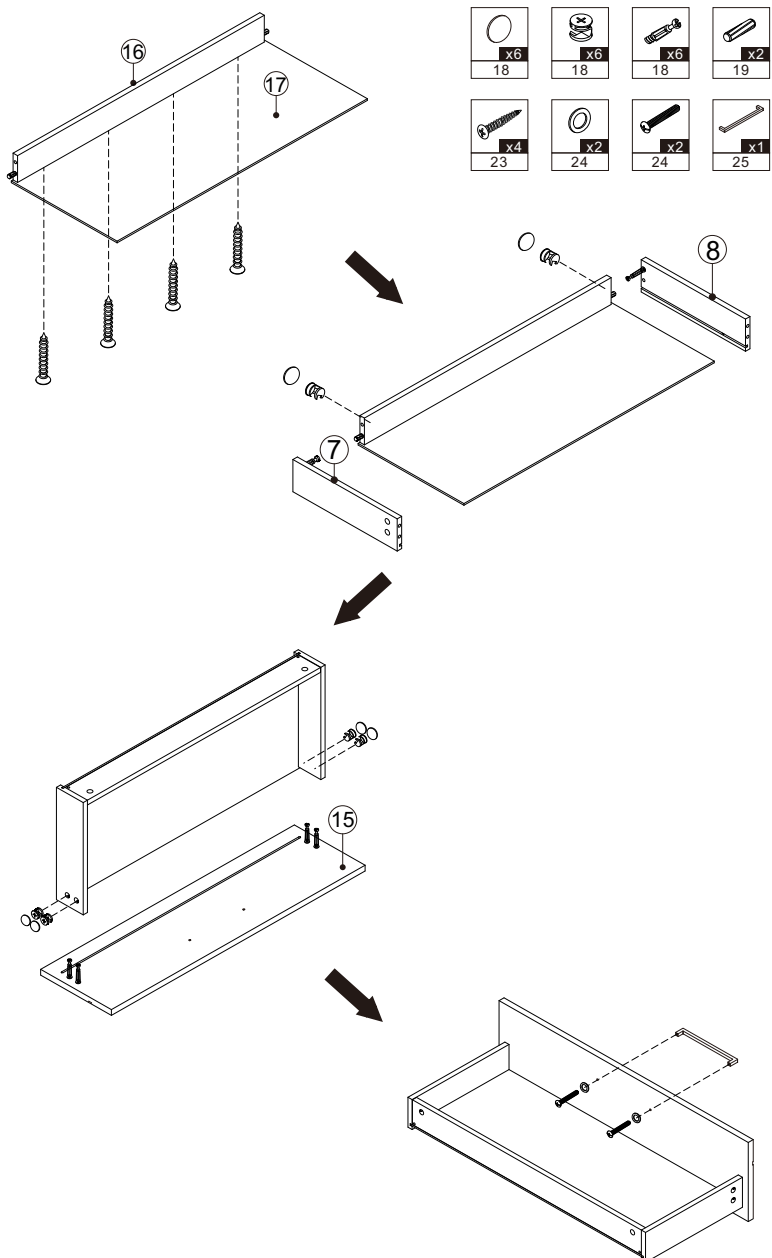
Step3



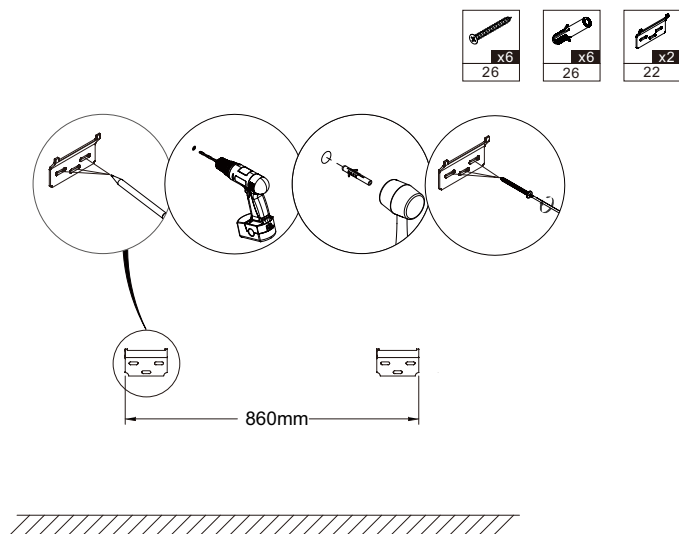
Step 4



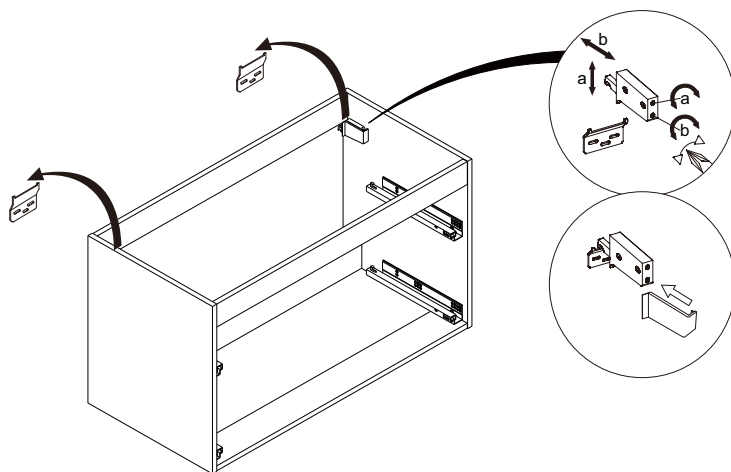
Step 5



Step6

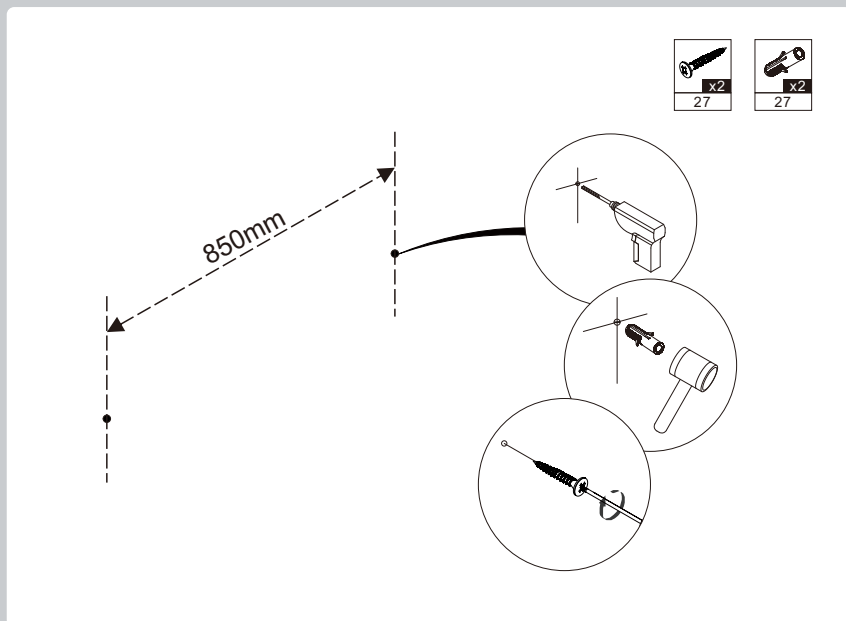


Step7



Through the screw to adjust position of the hanger
a: up and down
b: front and back

Step10



Step11

