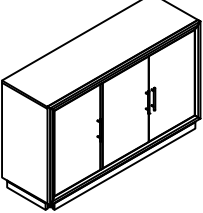
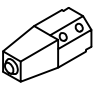
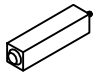
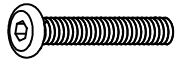



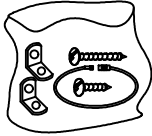
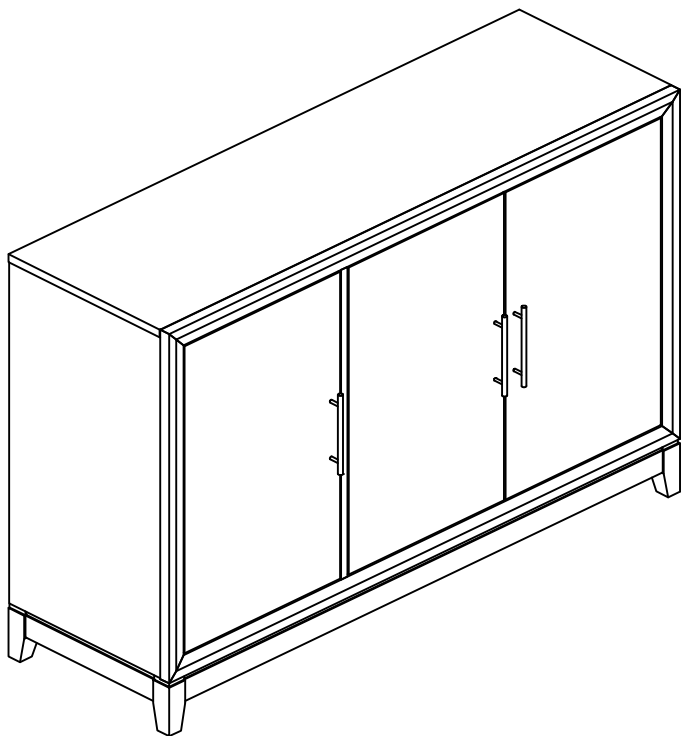


ASSEMBLY INSTRUCTIONS

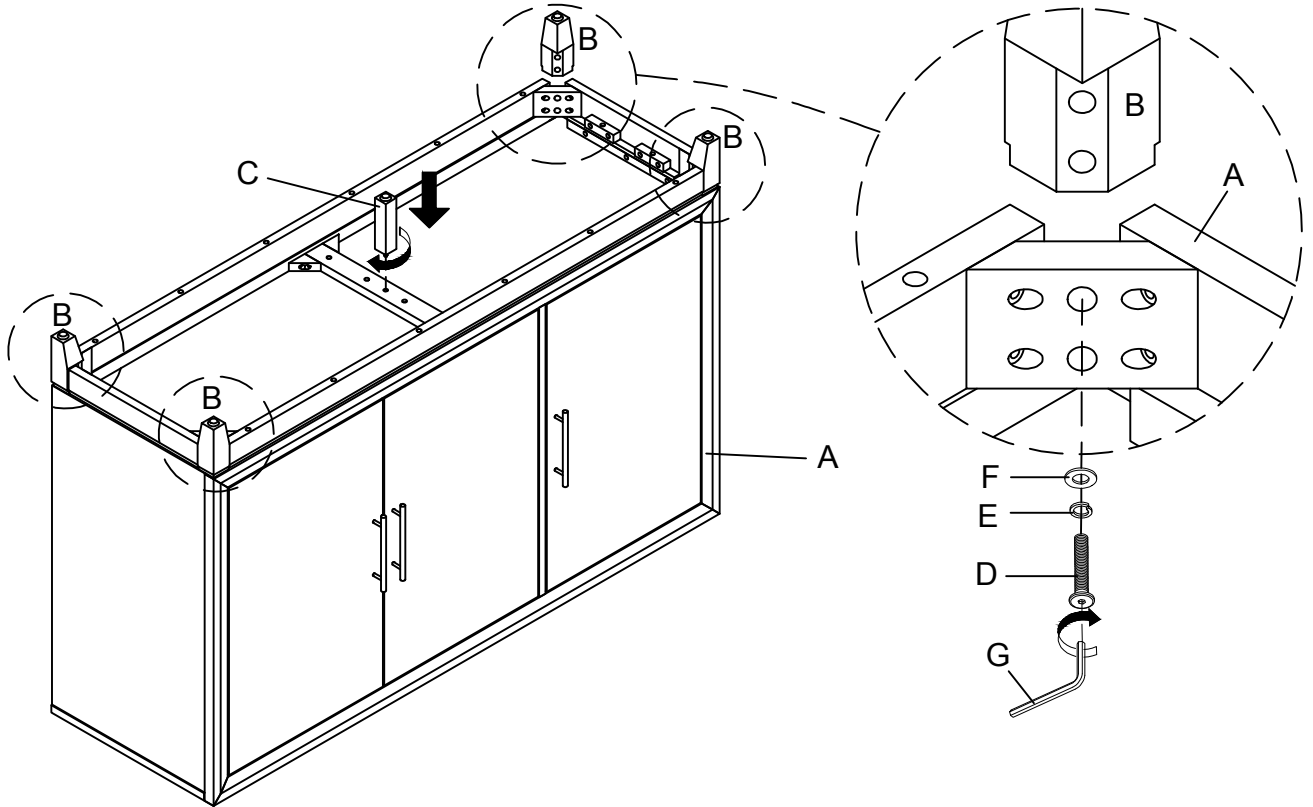
3-DOOR SERVER

A Server  1 pc	B Leg  4 pcs	C Center Leg  1 pc	D Allen Bolt Ø5/16" x 2"  8 pcs
E Lock Washer Ø5/16" x 1/2"  8 pcs	F Flat Washer Ø5/16" x 3/4"  8 pcs	G Allen Key 2 3/8" x 1" x 5/32"  1 pc	H Anti-Tip Kit (With Individual Instruction)  1 set

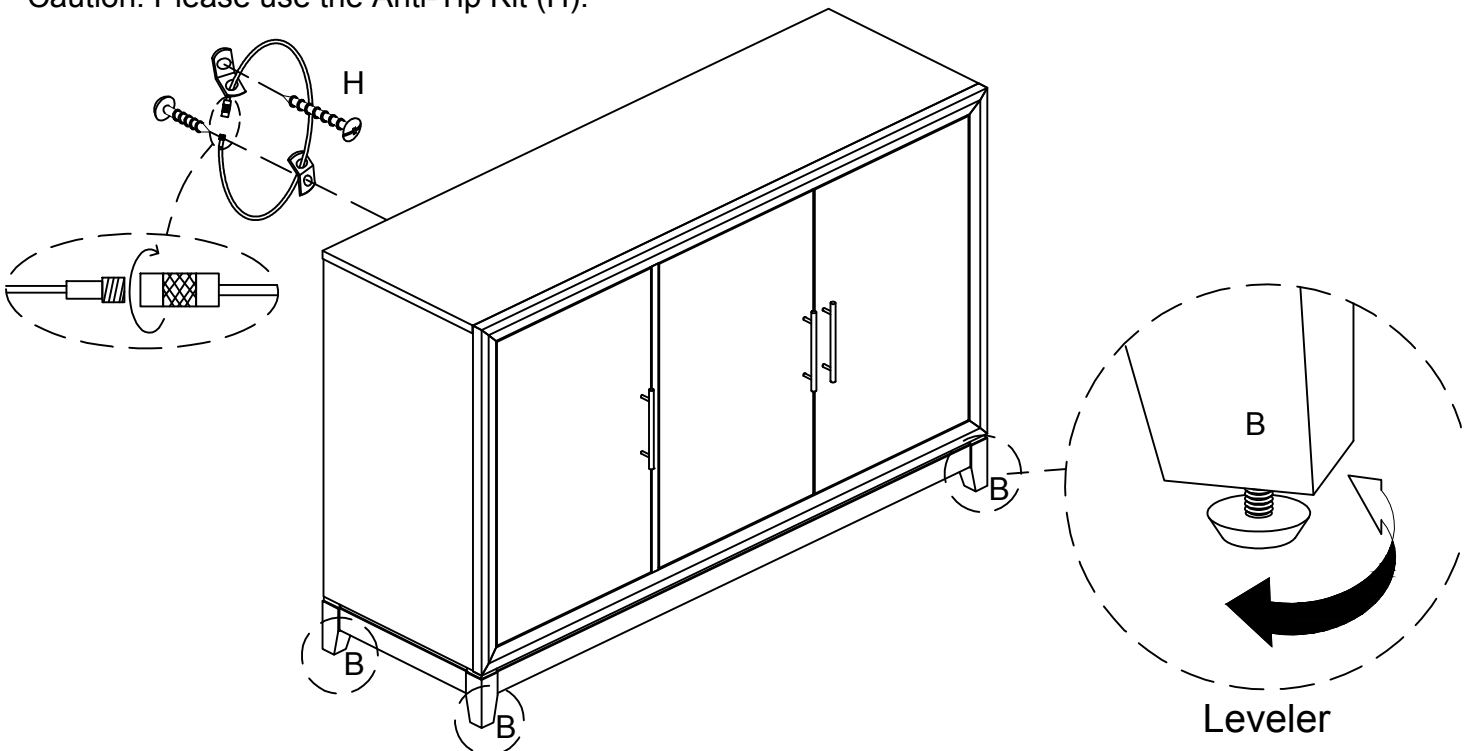


This page lists all the contents included in the box. Please take the time to identify the hardware as well as the individual components to this product. As you unpack and prepare for assembly, place the contents on a carpeted or padded area to protect them from damage.

- 1** Attach the Center Leg (C) to the Server (A). Then attach the Leg (B) to the Server (A) using Allen Bolt (D), Lock Washer (E) and Flat Washer (F) with the Allen Key (G).



- 2** Adjust the levelers at the bottom of the Leg (B & C) to keep the Server leveled.
Caution: Please use the Anti-Tip Kit (H).



Cleaning & Care

Treat surfaces with care. Surfaces are resistant to scratches but are not scratch resistant. Clean surfaces with a dry or damp soft cloth. Do not use abrasive cleaners. Hardware may loosen over time. Periodically check that all connections are tight.