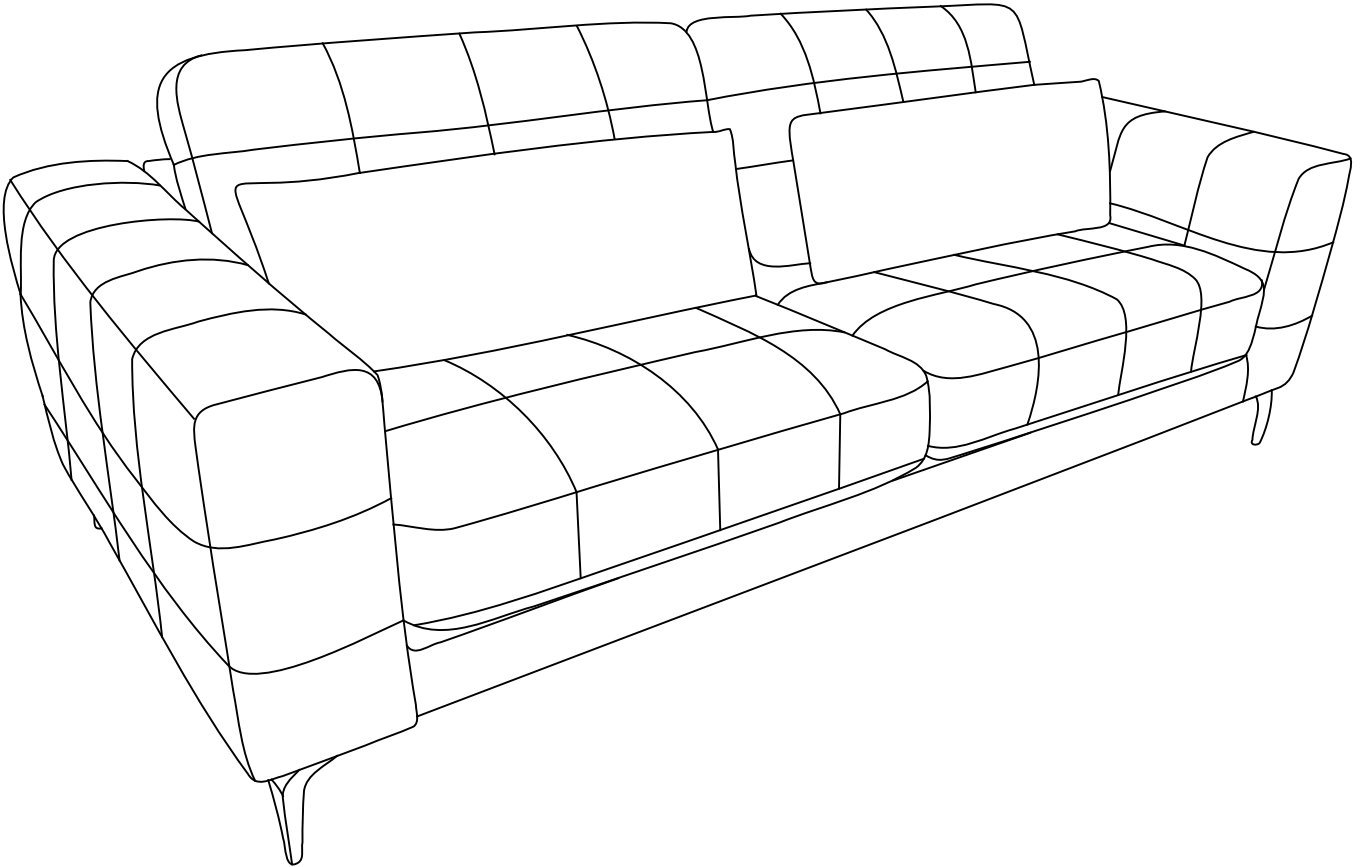


Owner Manual

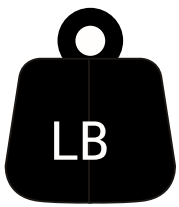


NOTE:

This brochure contains IMPORTANT safety info. Please read and keep for future reference.

MAINTENANCE AND WARNING


- 1.Keep furniture away from heat sources.
- 2.Do not clean furniture with harsh cleaner or polishes.Do not use detergents,solvents,abrasives,spray packs or leather cleaner. Use non-color mild soa with warm water to clean spills(Mix 1:10 soap to water).
- 3.Do not place furniture under direct sunlight,material will possibly fade over time.
- 4.Do not use on site dry cleaning machine.Children should not climb or jump on the furniture.
- 5.Do not write on furniture that is not protectedby a padded barrier.
- 6.Not for commercial use,only for residential use.

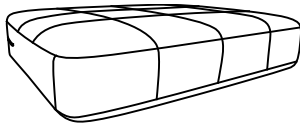


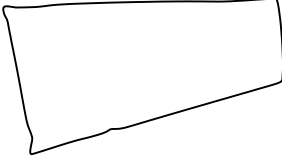
WeightLimitation

900 LBS

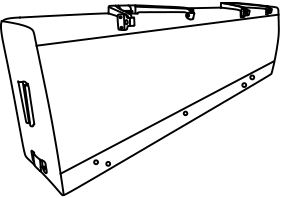
PARTS LIST BOX A

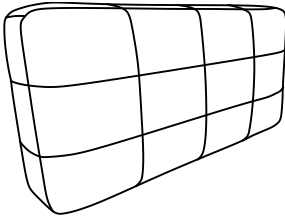
A	x1
	
Seat Frame	

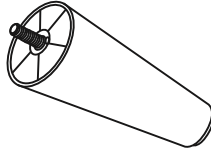
B	x2
	
Seat Cushion	

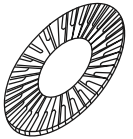
C	x2
	
Lumbar Pillow	

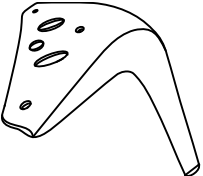
PARTS LIST BOX B


D	x1
	
Backrest	

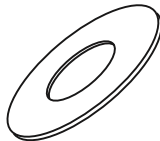
E	x2
	
Back Cushion	


F	x1
	
Plastic Leg	


G	x1
	
Plastic Gasket	

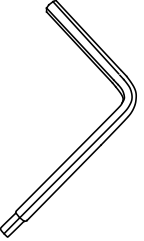
H	x4
	

I	x6
	

J	x14
	

K	x8
	

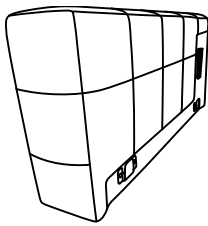
L	x8
	
M6*25mm Bolt	
Metal Leg	

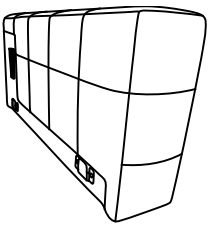
M	x1
	
Allen Wrench	
M8*60mm Bolt	

N	x6
	
Non-Slip Gasket	
Flat Washer	

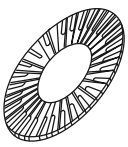
M8*20mm Bolt


PARTS LIST BOX C

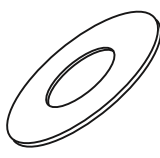
O	x1
	
Left Arm	


P	x1
	
Right Arm	

SPARE PARTS LIST

G	x1
	
Plastic Gasket	
L	x1

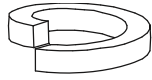
I	x1
	
M8*60mm Bolt	
N	x1

J	x1
	
Flat Washer	

K	x1
	
M8*20mm Bolt	

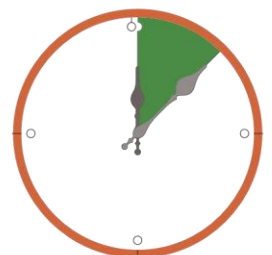
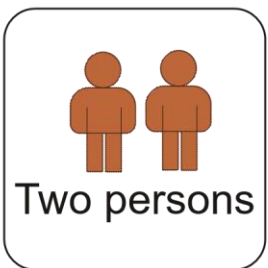
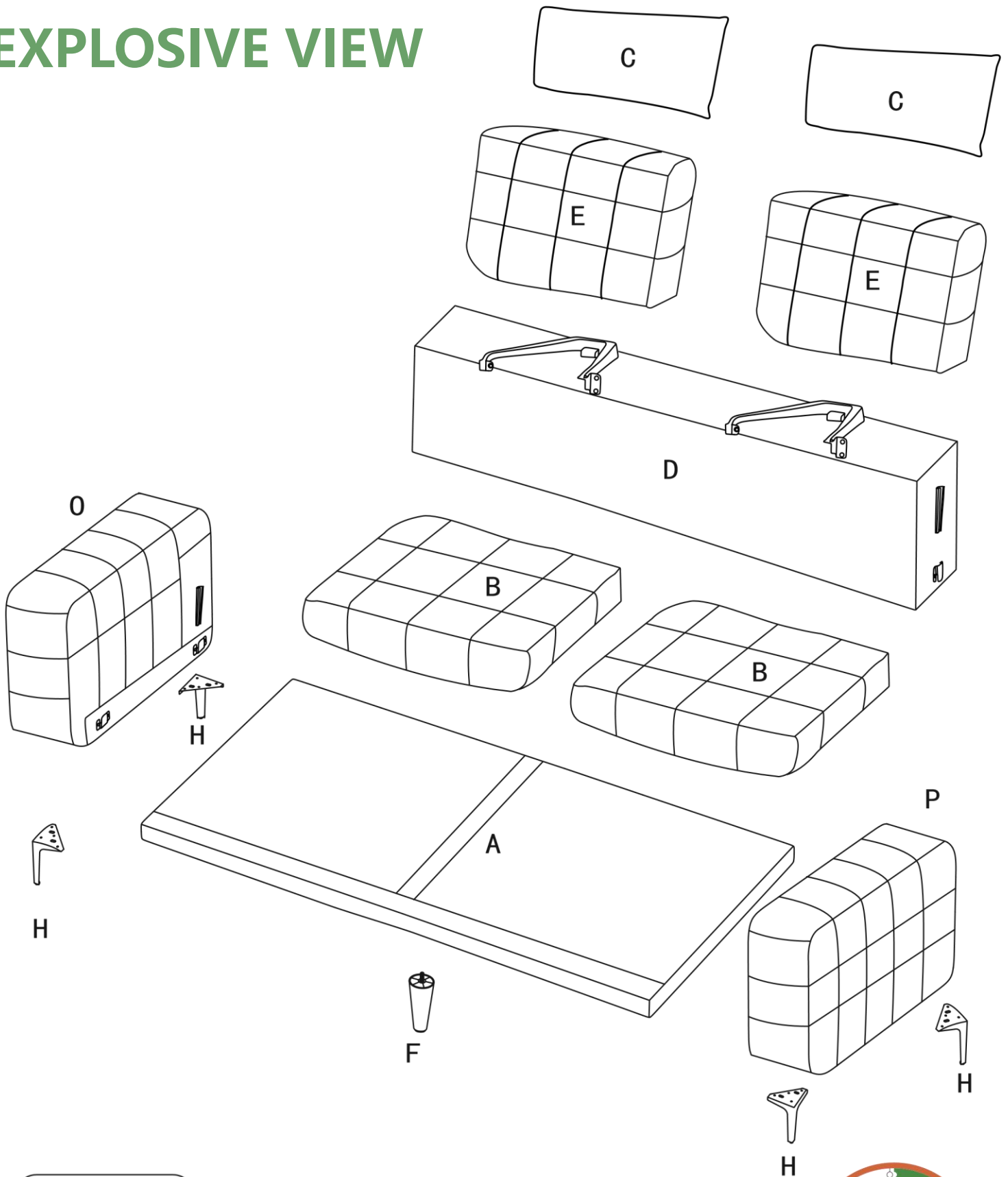


M6*25mm
Bolt



Non-Slip
Gasket

EXPLOSIVE VIEW



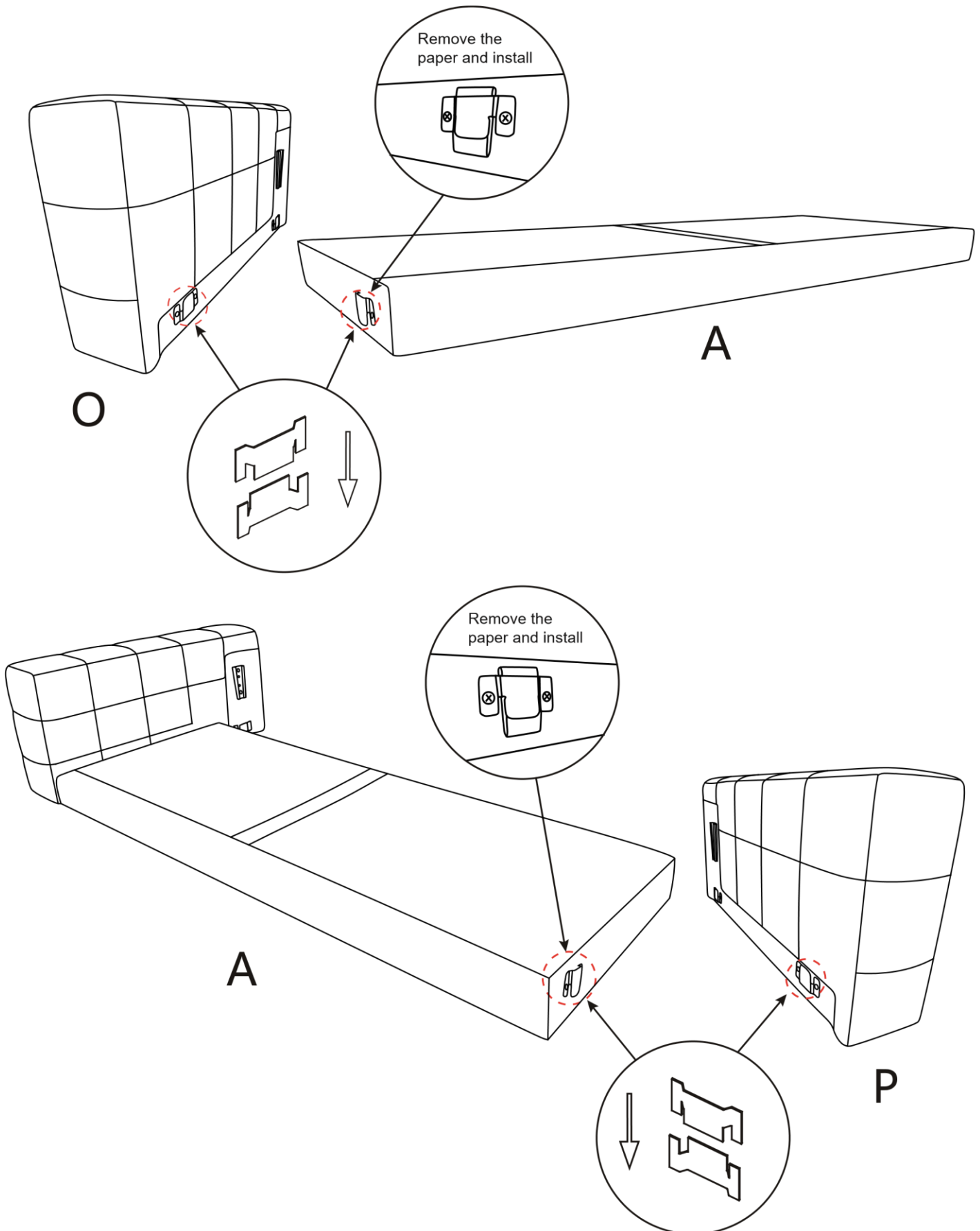
ASSEMBLY INSTRUCTIONS

STEP-1

First remove the paper from the inserts on both sides of the seat (A),Align the insert at seat (A) with the insert at armrest (O,P) and fasten it from top to bottom. Note: Install the left and right handrails according to the insert directions shown in the picture.

ASSEMBLY INSTRUCTIONS

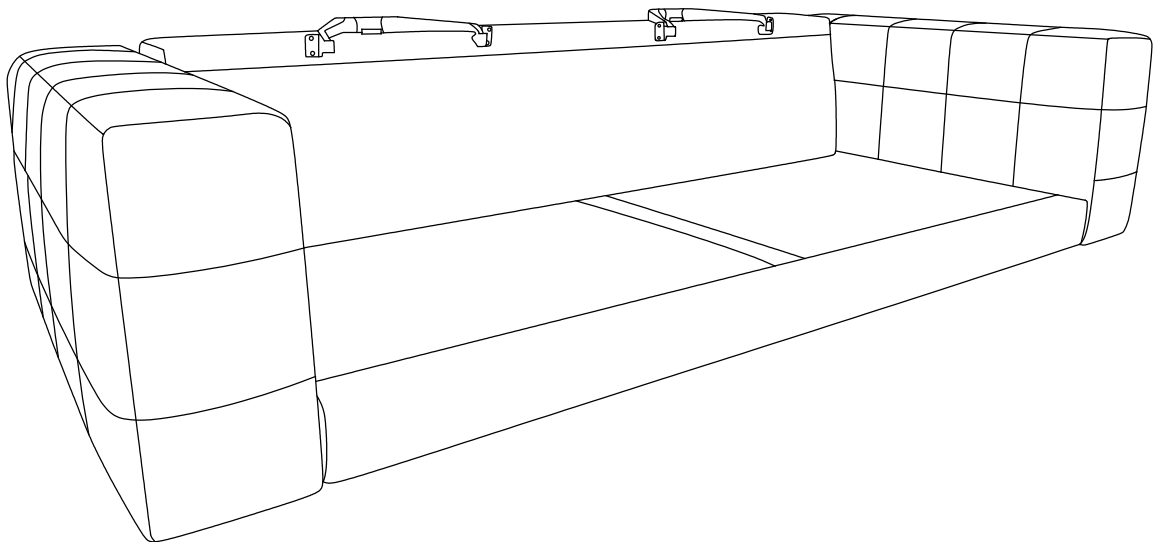
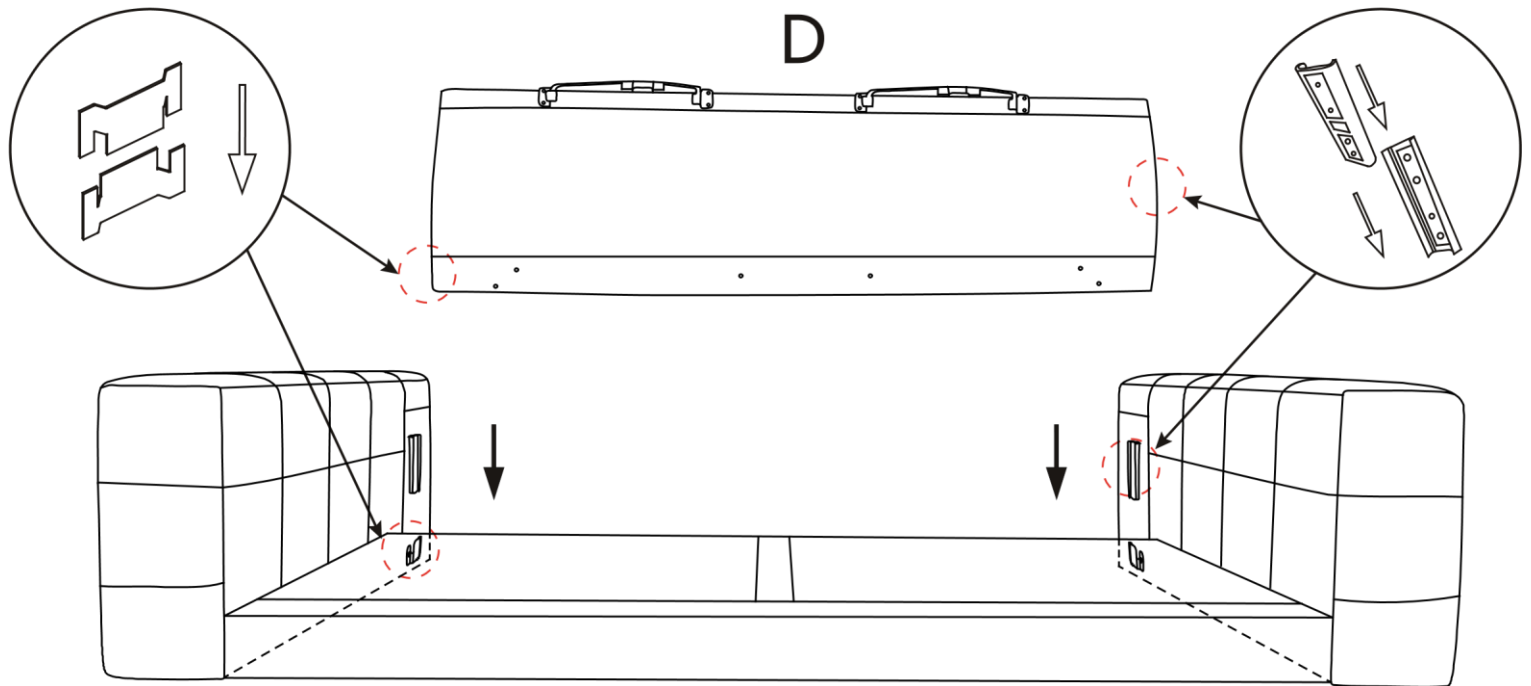
STEP-2



Insert the inserts on both sides of the backrest seat frame (D) into the two inserts behind the armrest from top to bottom.

ASSEMBLY INSTRUCTIONS

STEP-3





ASSEMBLY INSTRUCTIONS

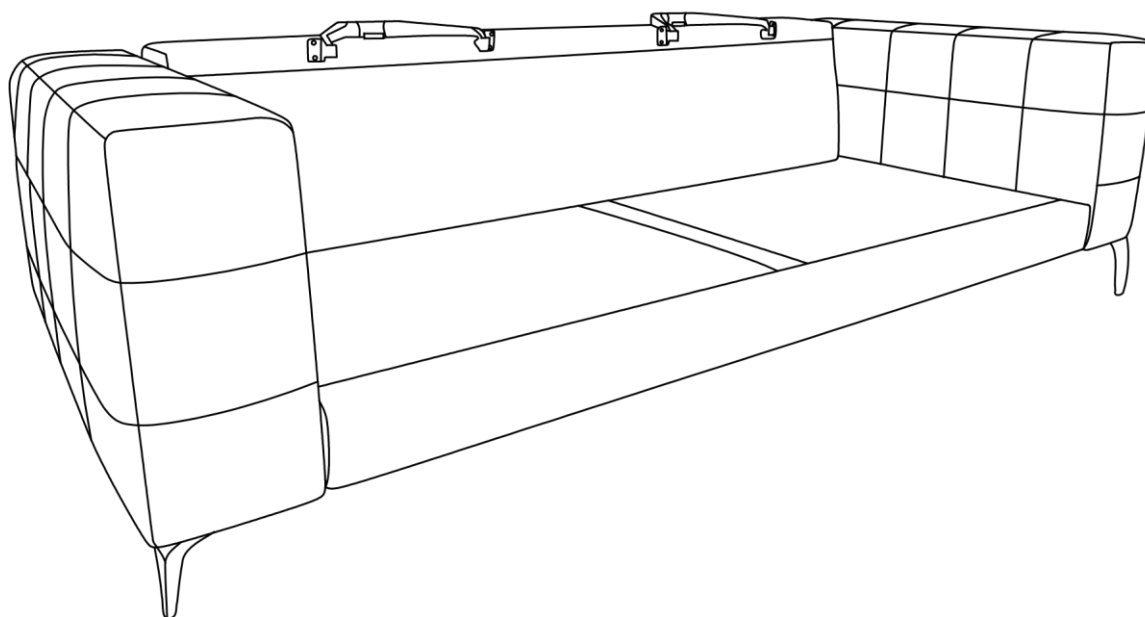
STEP-4

Flip the seat to the bottom and install the corresponding sofa feet as shown below.

The seat (A) and







M	x1	N	x6
			
Allen Wrench		Non-Slip Gasket	



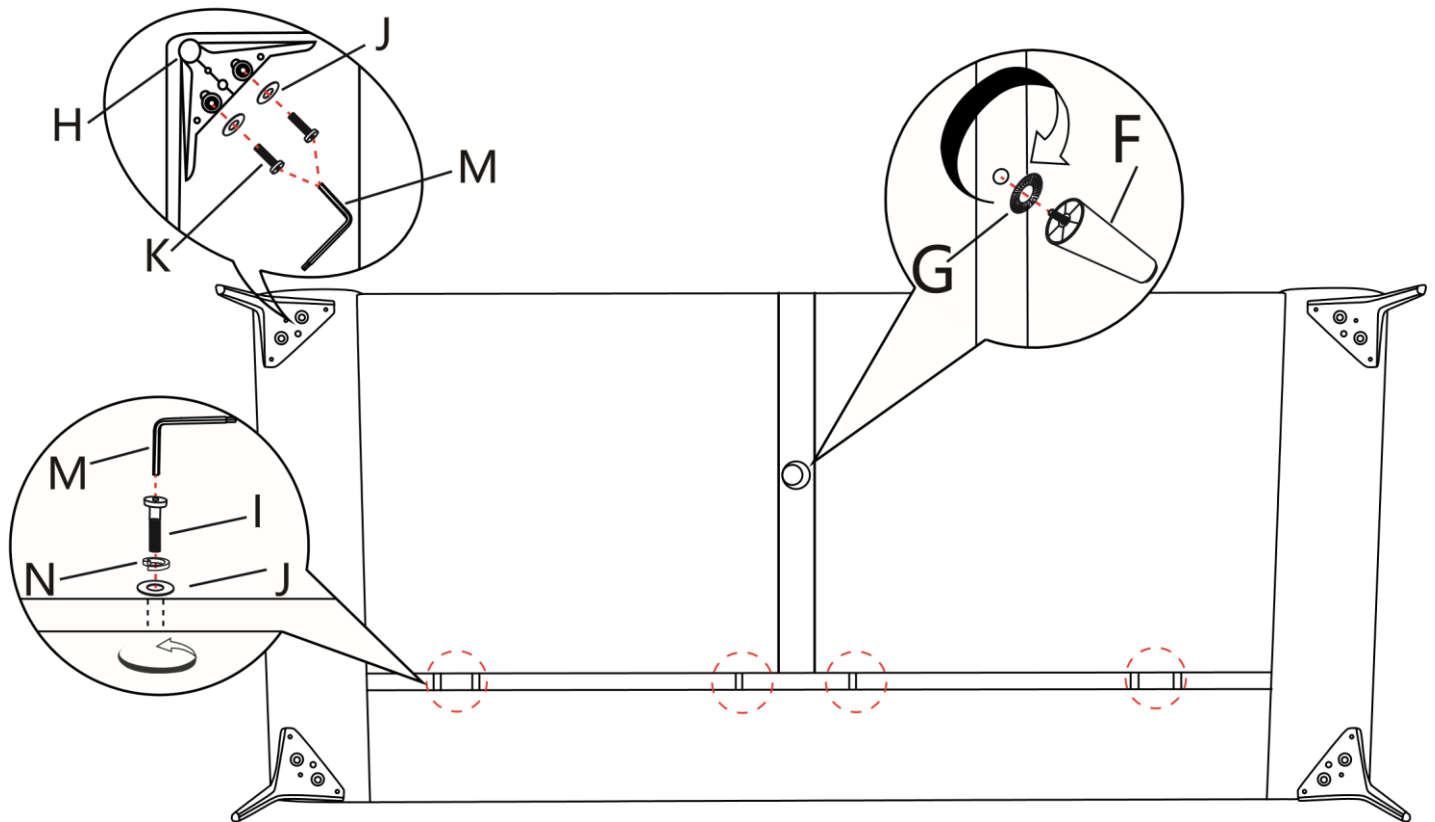
backrest frame (D) need to be secured.

08/11

G	x1	I	x6	J	x14	K	x8
							
Plastic Gasket		M8*60mm Bolts		Flat Washer		M8*20mm Bolts	

ASSEMBLY INSTRUCTIONS

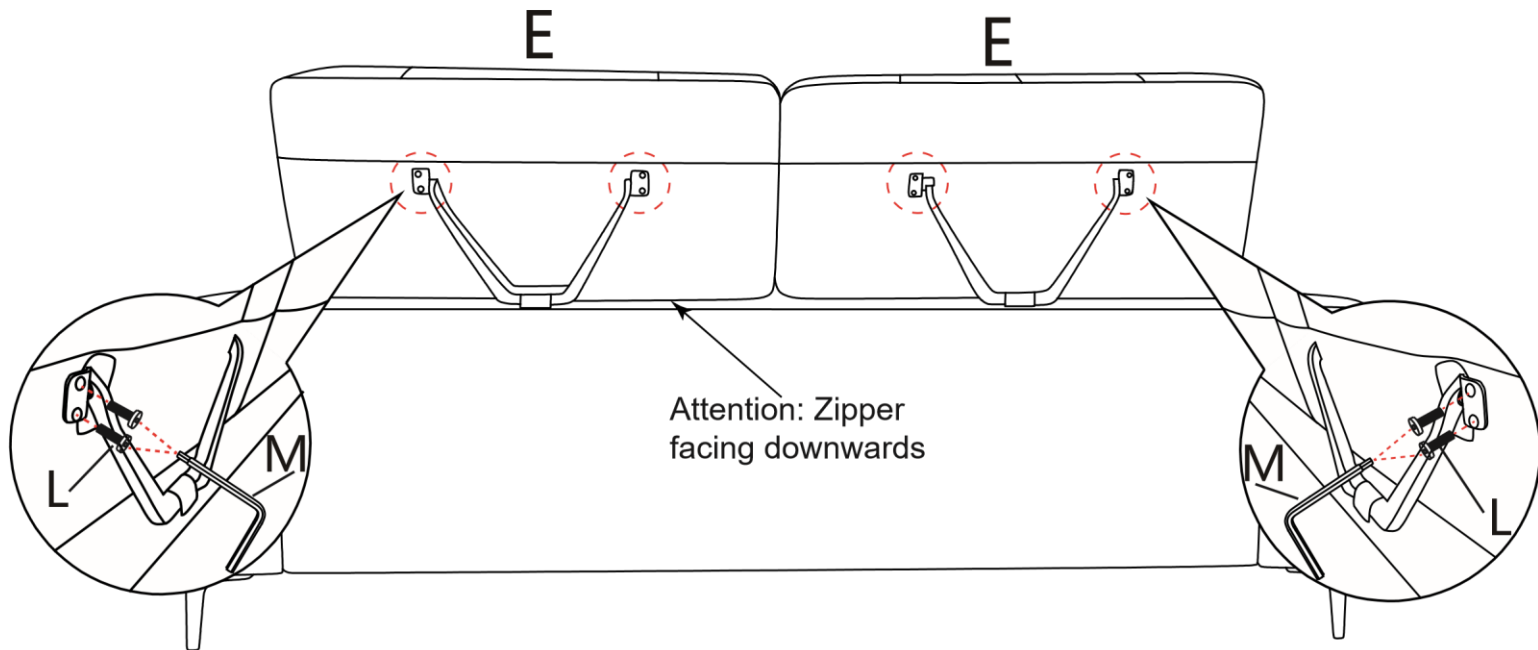
STEP-5





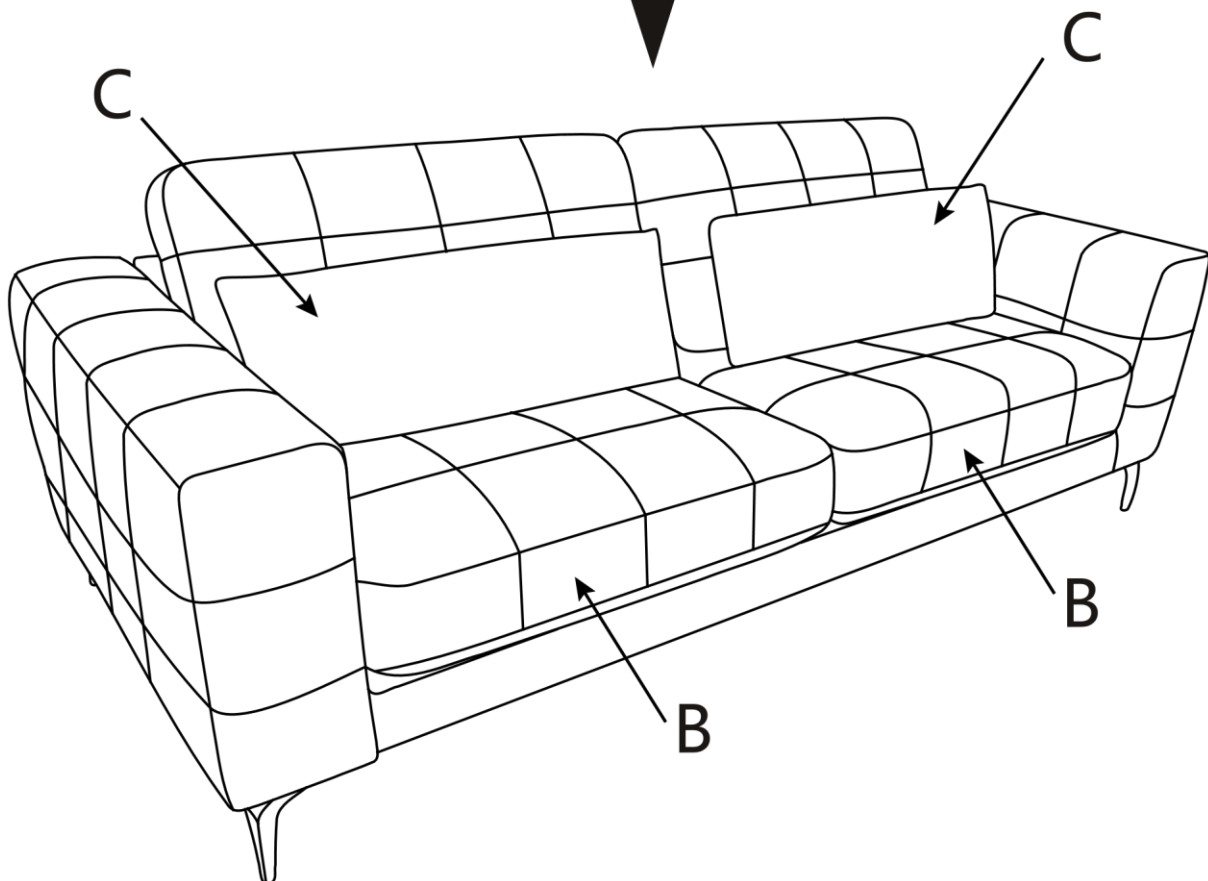
Align the holes at the back of the backrest (E) with the adjusting brackets at the backrest frame and secure them with screws. When finished, place the seat cushion (B) and the backrest pillow in their corresponding positions.

ASSEMBLY INSTRUCTIONS

STEP-6



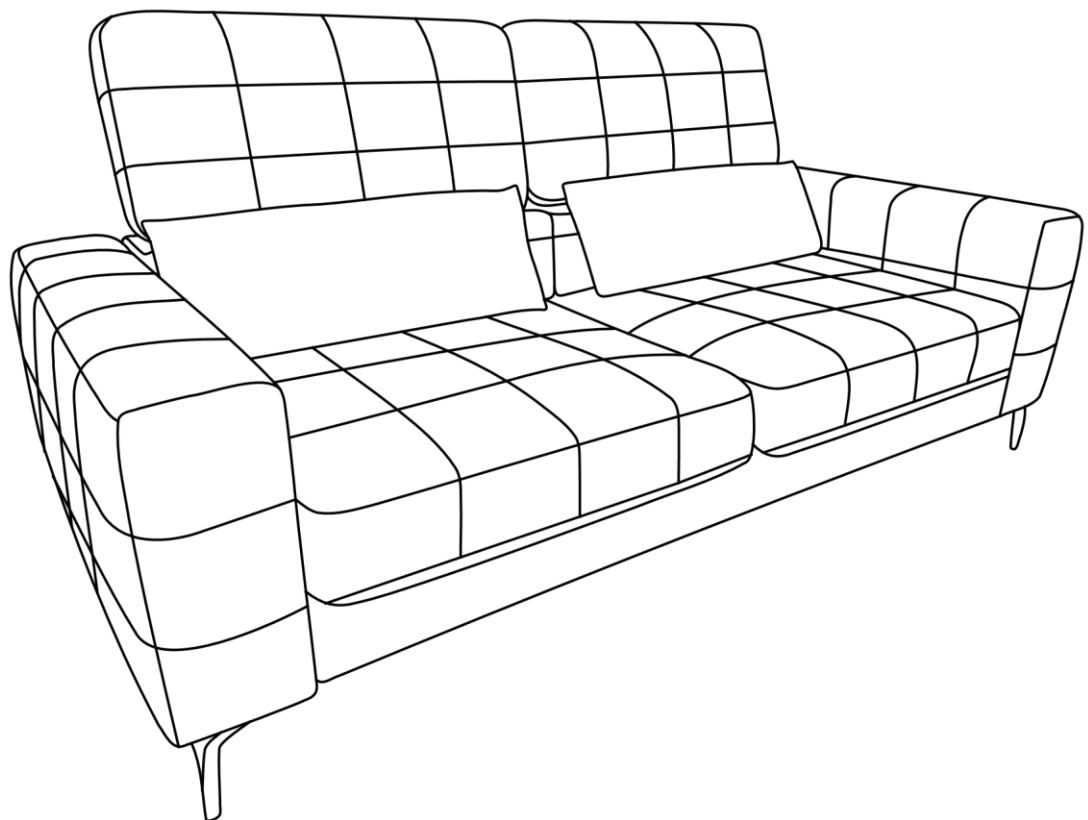
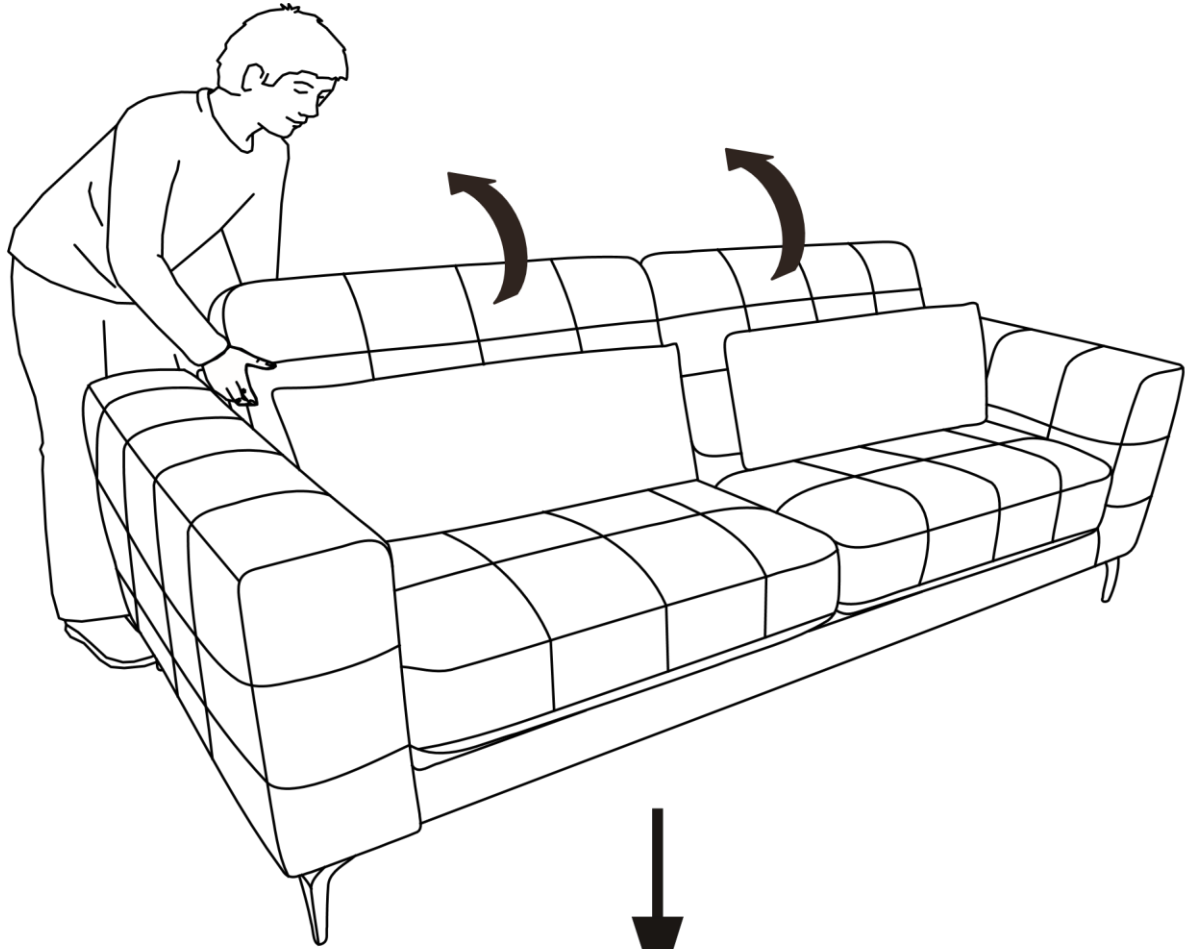
L	x8	M	x1
			
M6*25mm Bolts		Allen Wrench	



The backrest can be adjusted upward, just grab the backrest and lift it up.

ASSEMBLY INSTRUCTIONS

STEP-7



WARRANTY

1. We strive to offer high-quality products, and we also try our best to satisfy each and every customer that orders from us with product or service as needed.
2. We provide 30 days warranty starting from the time you receive the item. Each customer must provide a record of their order such as the order number, or item receipt for any items that are out of the warranty period you may also still receive.
3. Replacement parts by purchasing them with our company, if they are available.