

Preparations:

1. Prepare the required tools.
2. Turn off the switch.
3. Put all the parts in order.

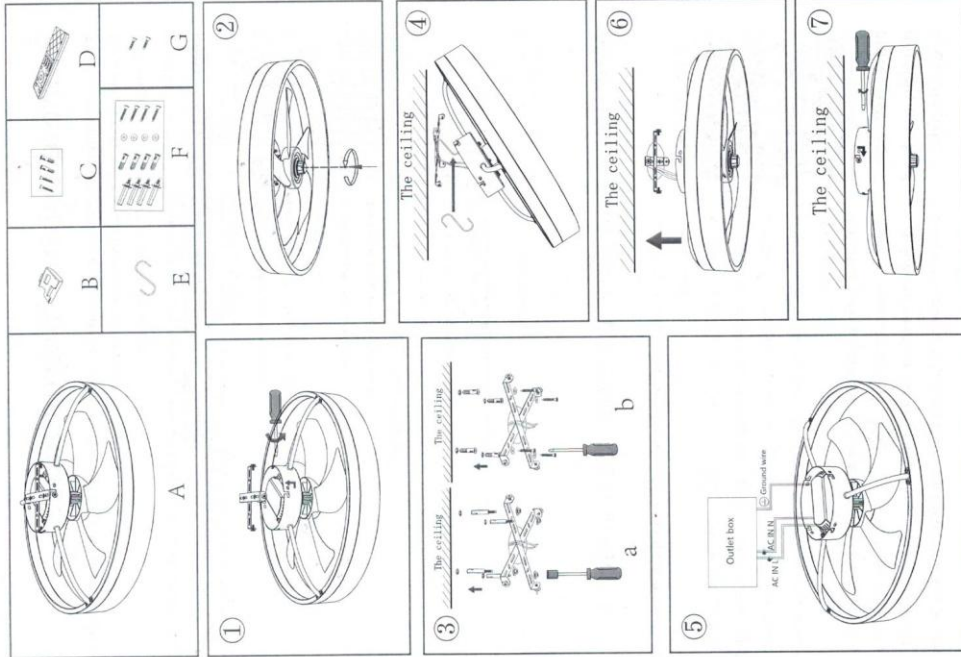
| | |
|-----------------------|---|
| Star-head Screwdriver |  |
| Wire-stripping Pliers |  |
| Step ladder |  |
| Electrical Tape |  |

Installation procedure:

1. Twist the hanging plate clockwise and take it off from the ceiling fan light.
2. Tighten the part in a counterclockwise direction to make it firm.
3. a. If the roof is a wood ceiling, install the bracket as shown in picture A. Make sure the bracket is securely secured.
b. If the roof is a concrete ceiling, install the bracket as shown in picture B. Make sure the bracket is securely secured.
4. Hook one end of the S-shaped fitting to the light fixture and the other end to the bracket. Just like the picture.
5. a. Connect the black live wire marked "L" on the receiver to the live wire (typically black) on the outlet box.
b. Connect the white neutral wire marked "N" on the receiver to the neutral wire (typically white) on the outlet box.
c. Connect the ground wire (bare wire) from the base of the ceiling fan base with the ground wire (bare wire) of the outlet box.
6. Remove the S-shaped hook and turn the ceiling fan light clockwise on the hanging plate and clamp it tightly according to the bayonet.
7. Tighten the screw. Ensure secure installation.
8. Turn on the switch. The light fixture was successfully installed !!!

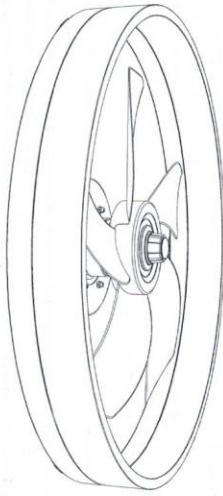
Specifications

| | | | |
|---------------|-------------------|-----------------------|--------------|
| Product Name | Ceiling Fan Light | Item Size | 19.7in*5.7in |
| Input Voltage | 90-260V | LED | 30-60W |
| Dimensions | 10*10ft-13*13ft | Valid Remote Distance | 10M |
| Battery Type | AAA*2 | Rotating Speed(rpm) | 503-853r/min |
| Reversible | Yes | Fan Timing | 1H/2H |



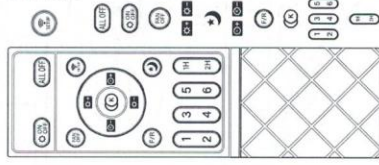
USER MANUAL

CEILING FAN LIGHT



Remote control instructions:

1. Install AAA batteries (Battery not included) . If the remote control is not used for a long time, please take out the battery to prevent battery damage .
2. The remote control function is shown below .



- Link fan light (Normally, the remote control and fan light are already linked and can be used directly . If there is no link, follow the steps :
1. Press the link button on the remote control .
2. Turn on the main power of the fan light and press and hold this button within 5 seconds .
3. If you hear a beep, the remote is connected to the fan light . Try using a remote control to control the fan light .)

Turn off the lights and fans together

Turn on the light / Turn off the light

Turn off the fan

Lighten the lights/dim the lights

The light switches to night light mode

Turn down / up the color temperature of the light

Positive fan rotation / Fan reversal

Color temperature switch(white light, warm light, natural light)

Different fan speeds

1 gear has the least wind , 6 gear has the most wind .

Timing function 1H/2H

Mobile phone APP control instructions:

1. APP download: Scan the QR code and select the APP version to download.
2. Change the language: Click the "≡" icon in the top left corner, Then click on the first option "语言", and choose English.
3. Click "+" to create a new fan light name. (When individual control is required, each name needs to be created and energized separately)
4. Pairing: After turning off the power of the fan light, then turn on the power, click the "🔗" button on the APP within 5 seconds, and light flickering, then the pairing is successful.
5. After the pairing is complete, you can control the device with the APP.

App Operation



Note: APP connection method is Bluetooth.

Important: Please read and understand this manual before any assembly. Before assembling this product, please ensure that all parts are in place. Compare the details with the product display presentation. If you have any questions, don't hesitate to contact us.