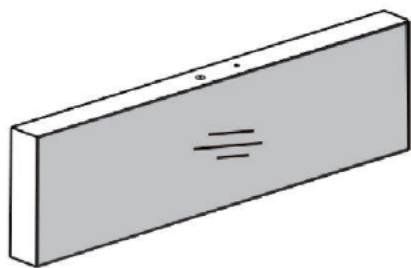


IMPORTANT, RETAIN FOR FUTURE REFERENCE: READ CAREFULLY

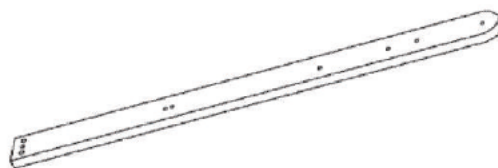
ASSEMBLY & INSTRUCTION MANUAL

PARTS

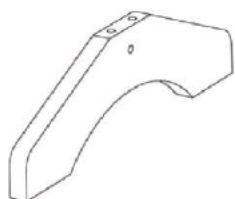
A x 1



B x 2



C x 2



D x 1



E x 1

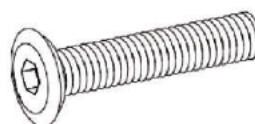


HARDWARE

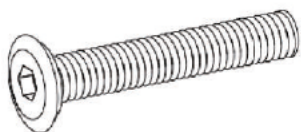
F x 2



G x 6
+1(spare)



H x 4



I x 4



J x 10
+1(spare)



K x 2



L x 1



M x 2



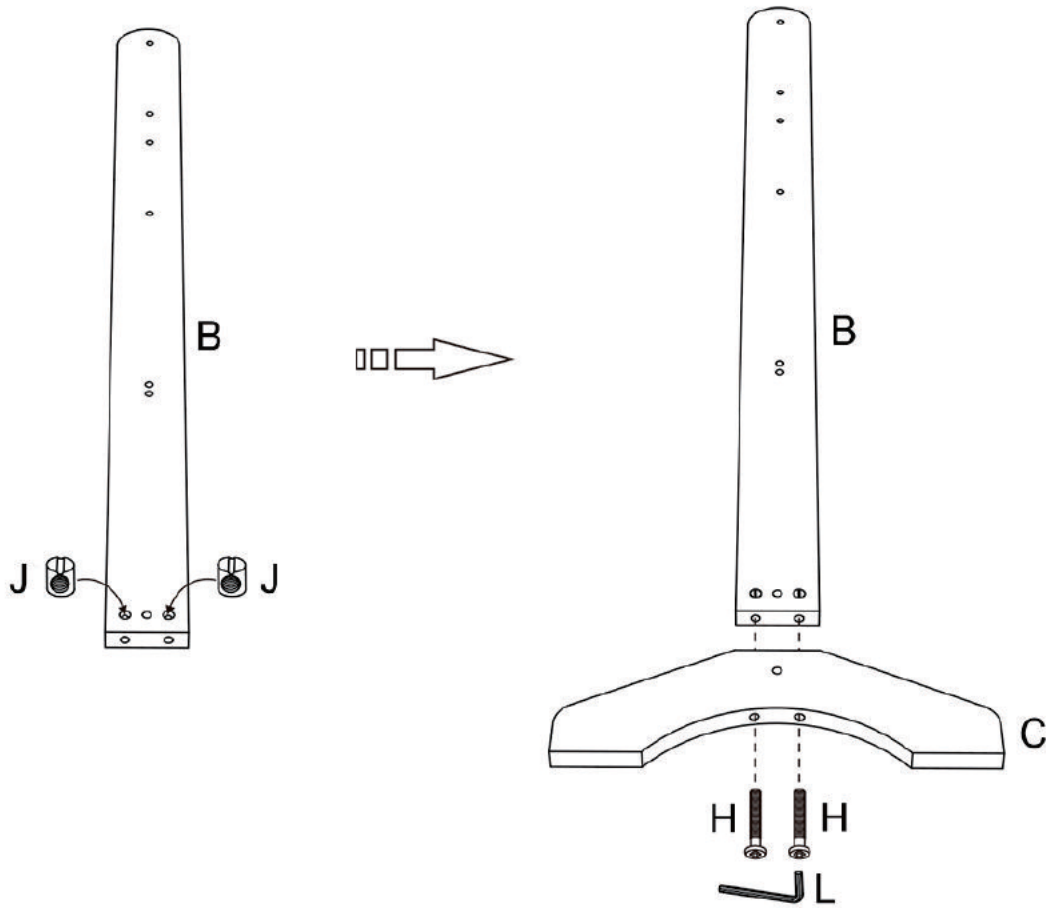
B x2

C x2

J x4

H x4

L x1



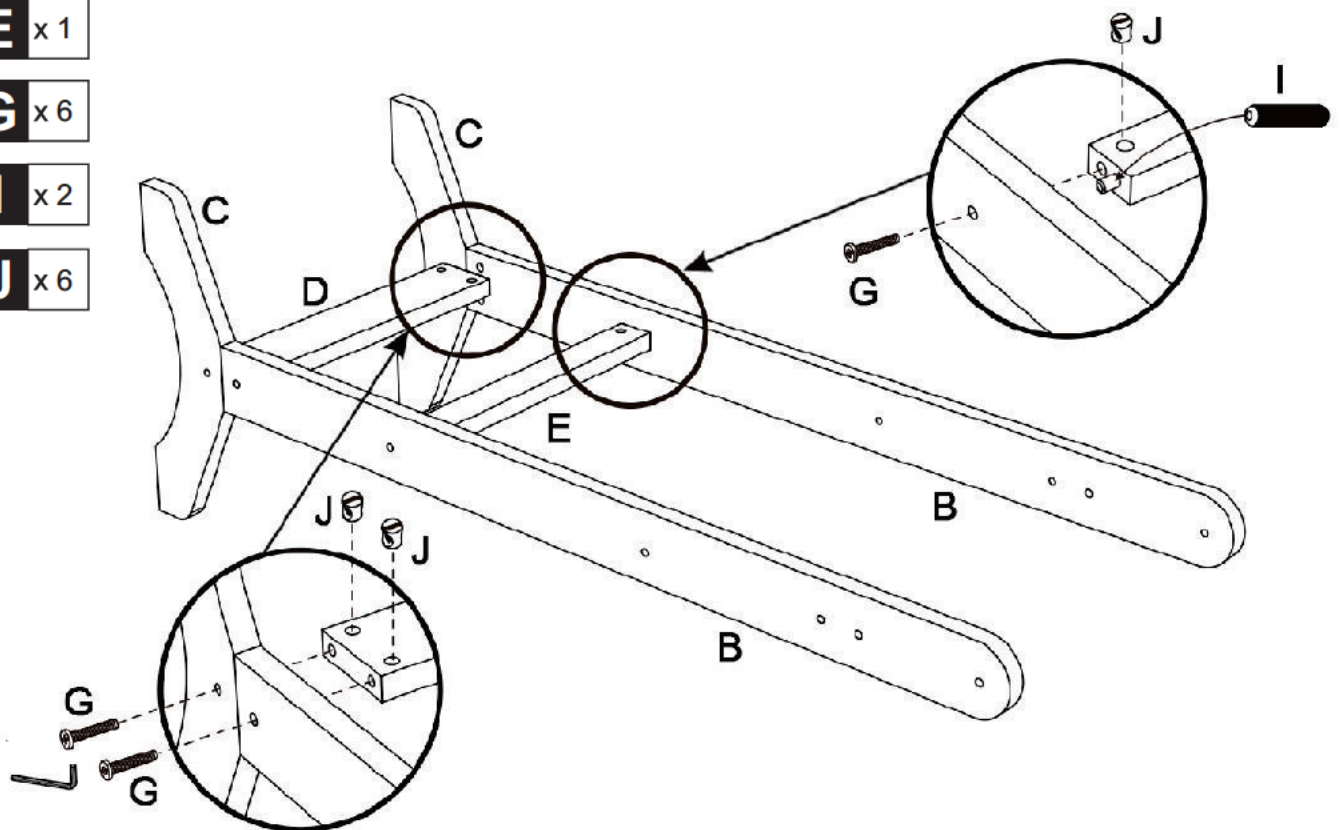
D x1

E x1

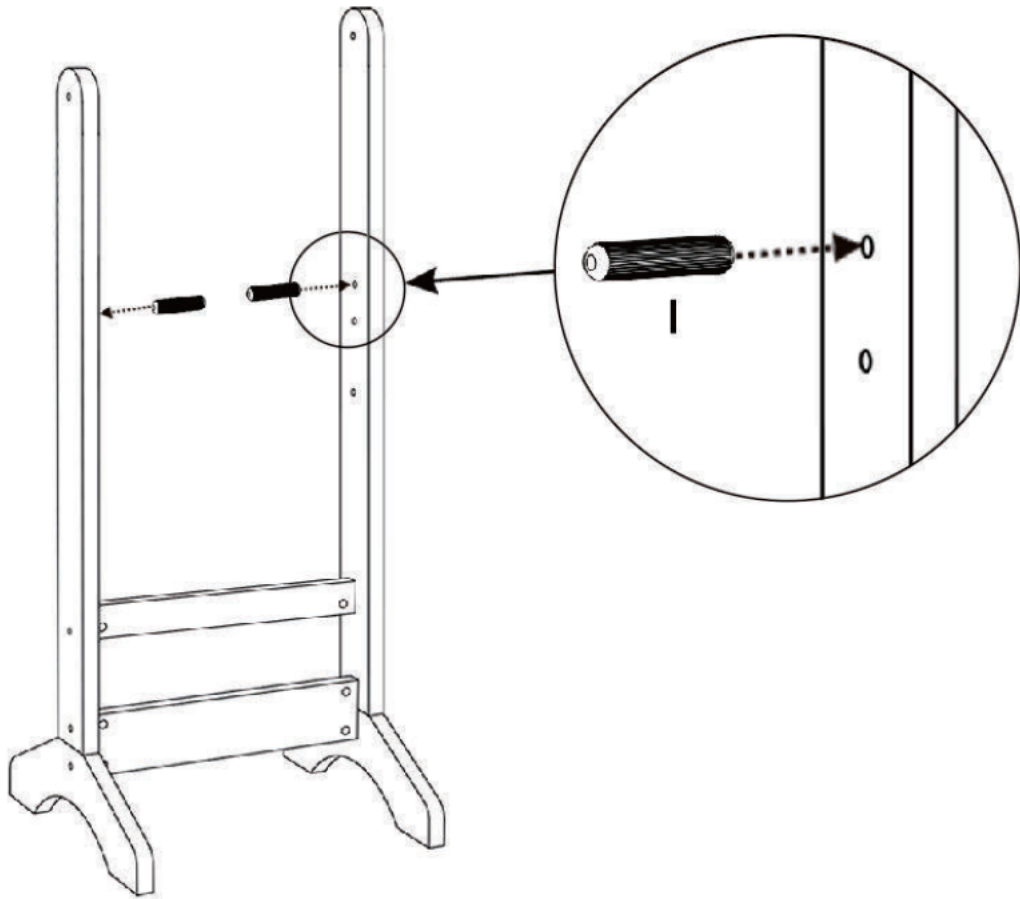
G x6

I x2

J x6



I x2



F x2

K x2

M x2

Done

