

Adventure Starts Here.

ADIRONDACK FOLDING OTTOMAN

**SEAHAWK
DESIGNS**

EST. 2005

! NOTICE

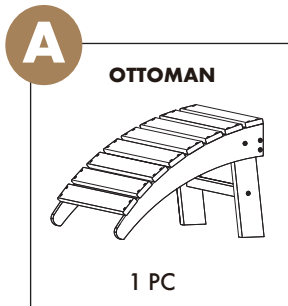
- Do not exceed the weight capacity of this item.
- Only use this item for what it is intended for, improper use will void any warranty.
- Keep this furniture clear of all uncontrolled open flames or flammable/combustible materials. Exposure to fire, high heat, or embers will permanently damage the material.

CLEANING TIPS

- **REGULAR CLEAN:** Mix **warm water** and **mild soap**. Use a **soft bristle brush** to gently scrub the surface and remove any dirt or stains.
- **QUICK CLEAN:** Simply wipe the furniture down using a damp cloth.

Tip: Cleaning your furniture regularly helps maintain its aesthetic appeal and extends its lifespan.

PARTS

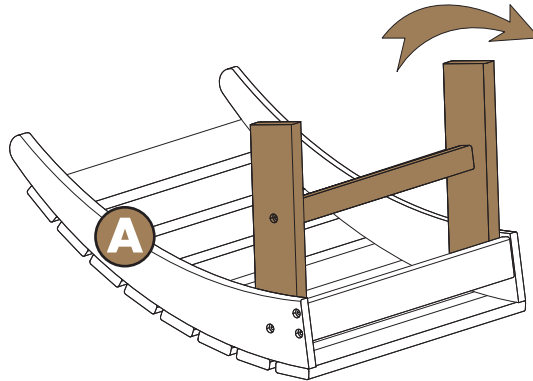


**18 LBS
WEIGHT
CAPACITY**

1

Step 1: Unfold the Ottoman and Use

- Take out **Part A (Ottoman)** from the package.
- Unfold the legs from inside until it reaches the rail.
- Turn the ottoman upside down to use.



Enjoy!

Join our community and be the first to see what's new!

Follow us on socials:



Quickly register your outdoor furniture purchase to activate your warranty and enjoy peace of mind with guaranteed product protection:



Have questions or need assistance? Reach out to our dedicated team at **(909) 284-1052** or email us at **cs@seahawkdesigns.com**.