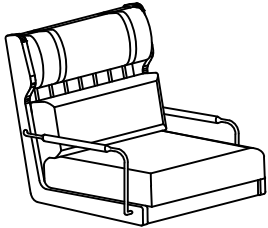


ASSEMBLY INSTRUCTION

Desk Chair

Components



a
x1



b
x1



c
x1



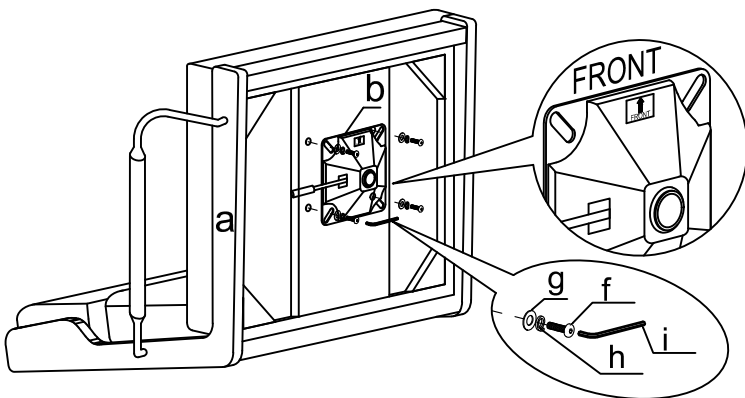
d
x1



e
x5

Hardware List				
f		Bolt	M8×30	4
g		Flat Washer	16×8	4
h		Spring Washer	M8	4
i		Allen key		1

Step 1



Step 2

