

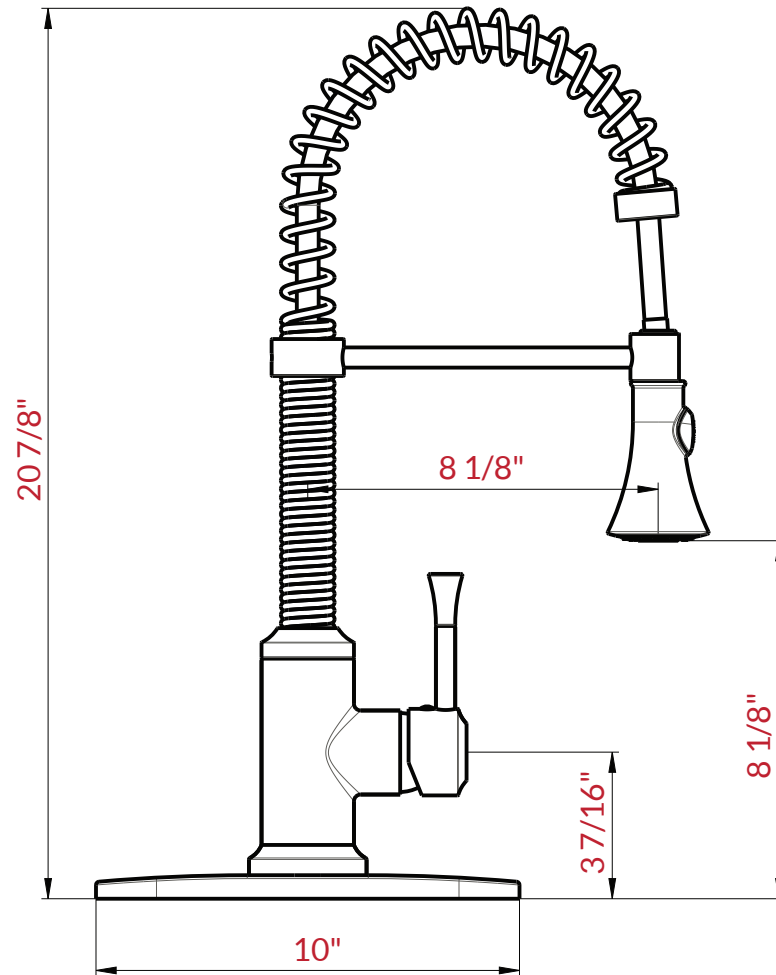


KITCHEN FAUCET

**LK9B**

INSTALLATION INSTRUCTIONS

PREPARATION FOR INSTALLATION



**ATTENTION!** Dimensions may vary by up to 3/8". It is highly recommended to pull all dimensions of actual model for installation and measuring purposes.

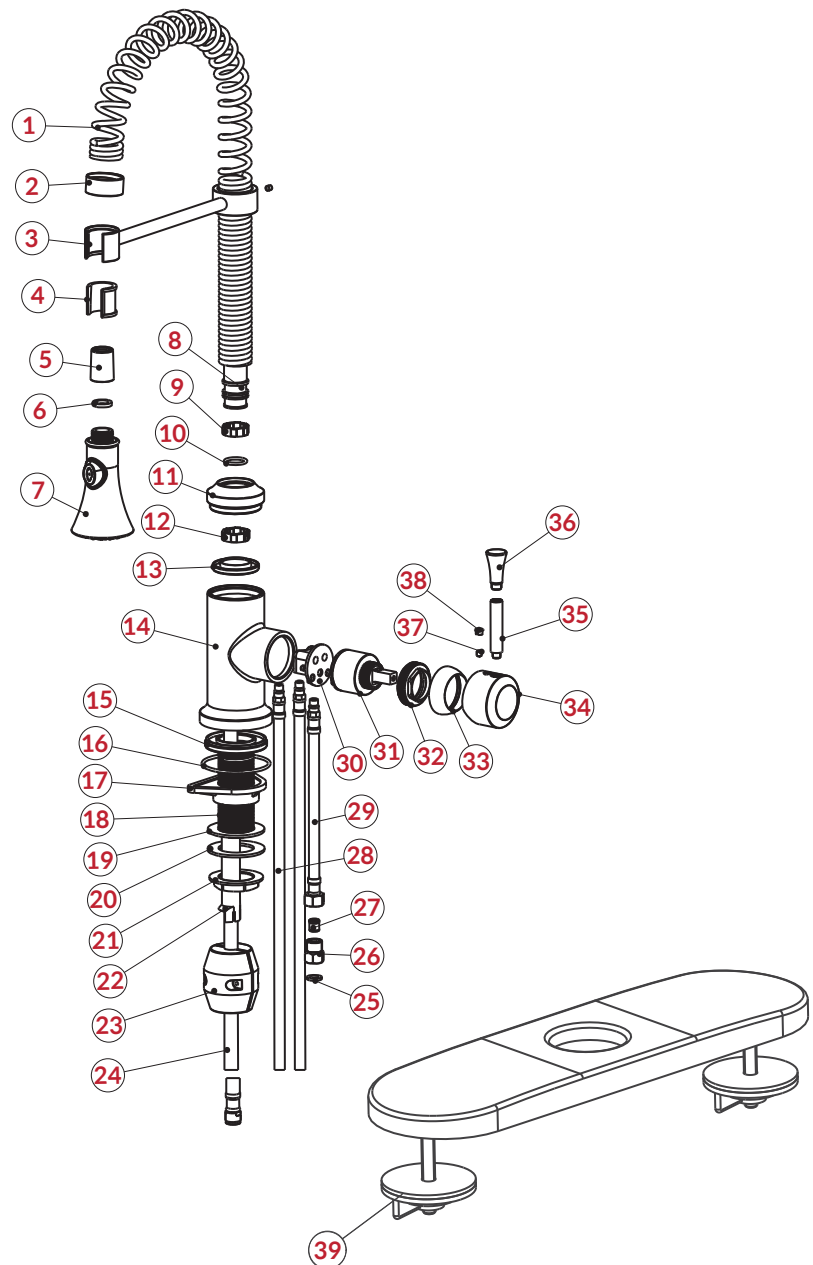
**ATTENTION!** Measurements in inches are rounded to the nearest 1/8".

**TECHNICAL DATA**

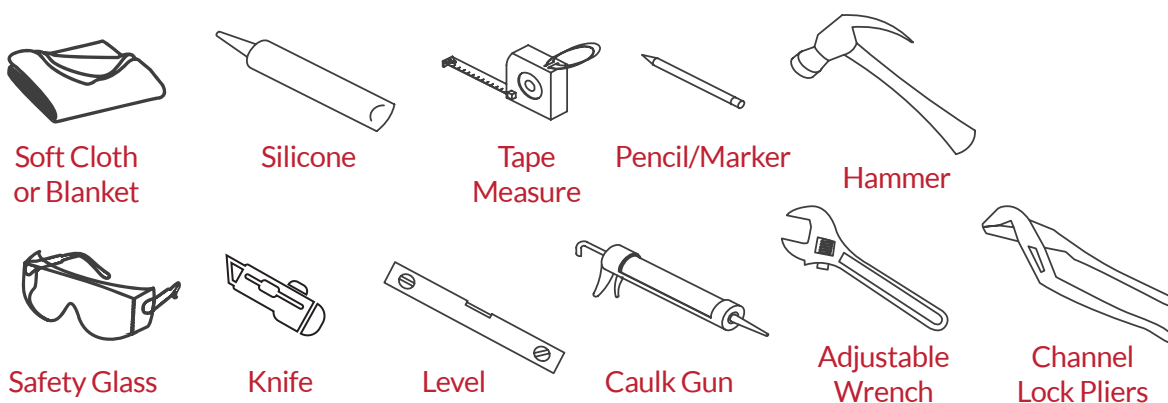
Max flow rate 1.8 GMP at 60 PSI

PARTS & COMPONENTS

No	Component
1	Coil Spring
2	Canopy
3	Bracket
4	Plastic Nipple
5	Joint
6	Washer
7	Spray Head
8	Take Over
9	Coil Spring
10	O-Ring
11	Lock Cpa
12	Coil Spring
13	Lock Cpa
14	Body
15	Base
16	O-Ring
17	Triangle Plank
18	Screwed Connector
19	Washer
20	Washer
21	Lock Nut
22	Pilot Sleeve
23	Hose Weight
24	Flexible Hose
25	Washer
26	Joint
27	Check Valve
28	Flexible Hose
29	Flexible Hose
30	Base
31	Cartridge
32	Press Hat
33	Cap
34	Handle Cover
35	Handle Shaft
36	Canopy
37	Screw
38	Canopy
39	8" Spread Deck Plate

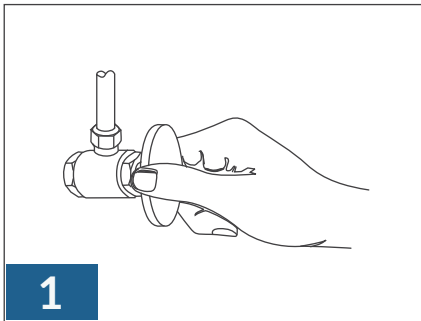


**TOOLS REQUIRED FOR INSTALLATION**

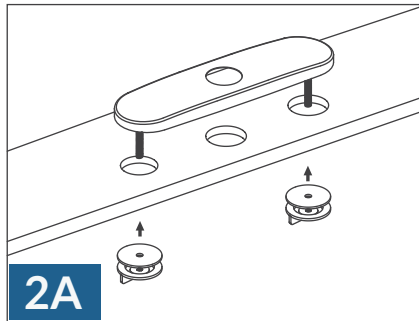


OTHER TOOLS MAY BE REQUIRED

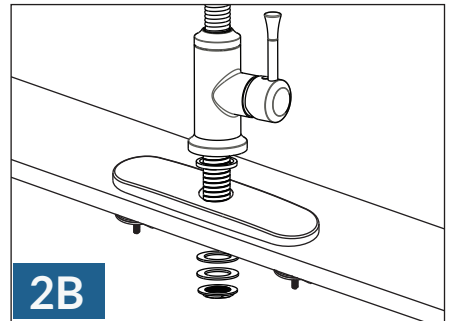
INSTALLATION INSTRUCTIONS



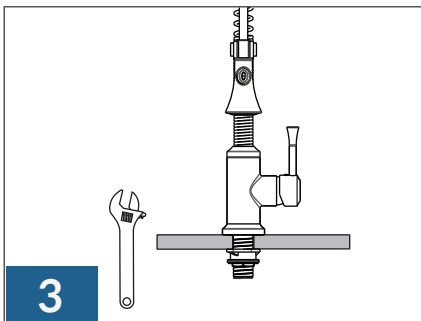
**1**  
You should clean all the dirt from valve outlets. Turning off the water supply valves. This is usually found near the water meter. If you are replacing an existing faucet, remove the faucet from the sink and clean the sink surface thoroughly.



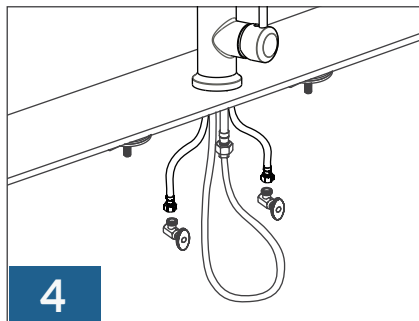
**2A**  
Install with Deck Plate. Place a bead of plumber's putty between faucet and sink. Place Deck Plate over the three holes of sink. From Underside sink, tighten wing nut.a



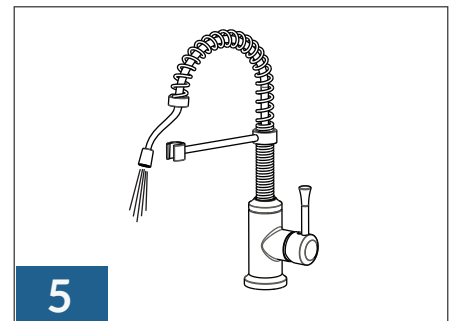
**2B**  
Make sure the O-RING is placed onto the bottom of Base Ring. Install faucet through Deck Plate. From underside of sink, put Plastic Washer and Mounting Nut. Position Faucet on sink properly and tighten mounting nut.



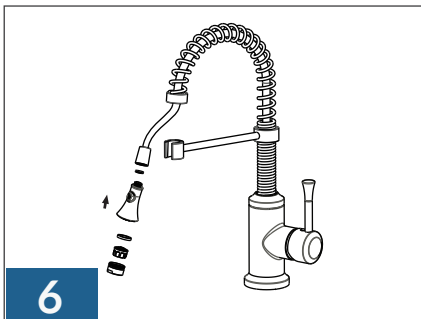
**3**  
If necessary, tighten screws using an adjustable wrench until the faucet is firmly connected to the sink.



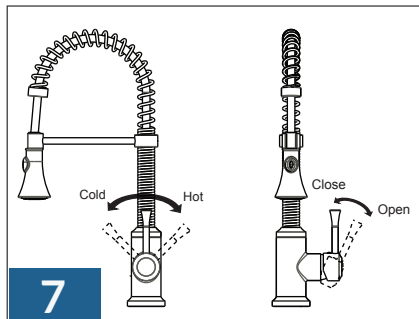
**4**  
Connect hot and cold water supply lines to the Water Supply Valves



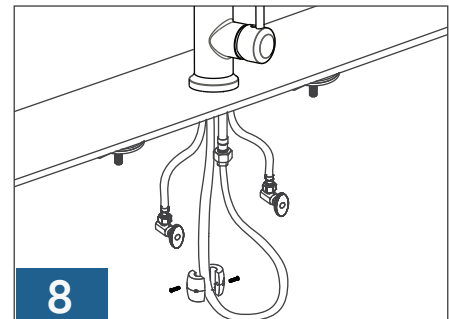
**5**  
After installation is complete, remove Spray Head and rotate handle to close position. Turn Water Supply Valves on, and check all connections for leaks. Flush faucet by running hot and cold water in full position for one minute.



**6**  
Attach Shower Head



**7**  
Lift the handle up, the cartridge will be activated allowing water to flow. The water flow will increase by continuing to rotate handle. By rotating the handle to the right, the water temperature will decrease to cold flow only. By rotating handle to the left, the water temperature will increase to hot only.



**8**  
Attach Weights to the pull-out hose using screws at the proper point of the hose. Please, note that installation of weight is optional and it is not required for proper work of the faucet.



## READ ALL INSTRUCTIONS BEFORE UNPACKING THE PRODUCT

INSTRUCTIONS THAT, IF IGNORED COULD RESULT IN DEATH OR SERIOUS INJURY CAUSED BY INCORRECT HANDLING OR INSTALLATION OF THE PRODUCT. THESE INSTRUCTIONS MUST BE OBSERVED FOR SAFE INSTALLATION.



INSTALLATION OF LESSCARE PRODUCTS BY AN  
INEXPERIENCED INSTALLER MAY RESULT  
PERSONAL INJURY OR DEATH!



LessCare reserves the right to change, update, modify, alter, redesign this manual/product or its policies without prior notice!  
It is your responsibility to visit website to download or contact customer service for the most updated version of the installation instructions.

LessCare shall not be liable for any injuries or property damages in connection with this product during installation or use of this product!

LessCare products must be installed by a fully insured and licensed plumber only. Installation of any LessCare product by anyone other than fully insured and licensed plumber shall void limited warranty. LessCare recommends that such licensed plumber have experience in the installation of products.

Limited warranty is void on any commercial installation

LessCare is not responsible for local code compliance for this product. Building and plumbing codes may vary from state-to-state in accordance to your location. LessCare is not responsible for providing any compliance certifications.

LessCare is not responsible to provide any type of certifications for this product

Under no circumstances LessCare shall not be liable for any and all incidental damages sustained in connection with this product

Neither manufacture, nor distributor, nor retailer is responsible for water damage or flood caused due to use of this product.

Under no circumstances LessCare shall not be liable for any and all fees, cost of installation/reinstallation/removal, subsequent damage or transportation in case of the product defect

## Maintenance & Care

### IMPORTANT!

**DO NOT USE:** Abrasive cleaners such as: acid, ammonia, bleach, and similar solutions. Use of such solutions may cause corrosion, finish peeling, and/or dull the surface.

**DO NOT USE:** Abrasive sponges or cloth. Never use steel, wool, or wired brushes that will permanently scratch the surface.

Retain these installation instructions for future reference!



Thank you for using LessCare products!