

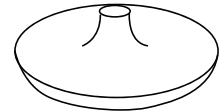
# ASSMBLY INSTRUCTIONS

## + Parts Included

① Chair Seat  
(1pc)



② Round Base  
(1pc)



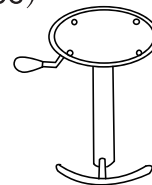
③ Ornament Circle  
(1pc)



④ Gas Lift  
(1pc)



⑤ FootRest  
(1pc)



## + Do Not Use Power Tools



## + Suggested Adults



### NOTE:

- 1 Read instructions cover to cover.
- 2 Save all packaging until assembly is completed.

## 1 IMPORTANT SAFETY INFORMATION

**Do not** assemble the product if any of the following parts arrived damaged:

Part#- Chair Seat ①      Part#- Round Base ②  
Part#- Ornament Circle ③      Part#- Gas Lift ④  
Part#- Footrest ⑤

**Do not** assemble if any of the following hardware parts are missing:

Part#-Bolt  
Part#-Allen key

## 2 IMPORTANT ASSEMBLY INFORMATION

**Assembly Step** If loosening persists, please make sure to tighten all the bolts periodically, or use a thread locker adhesive.

## + Hardware Included

A Screws M6x20mm  
(4pcs)

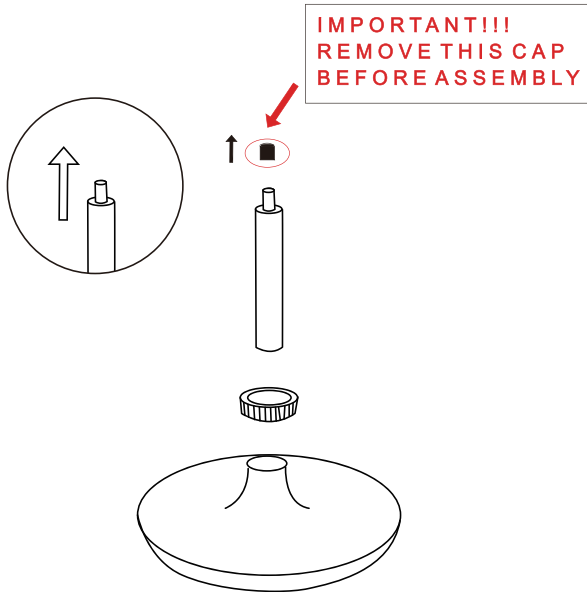


B Allen Key  
(1pc)

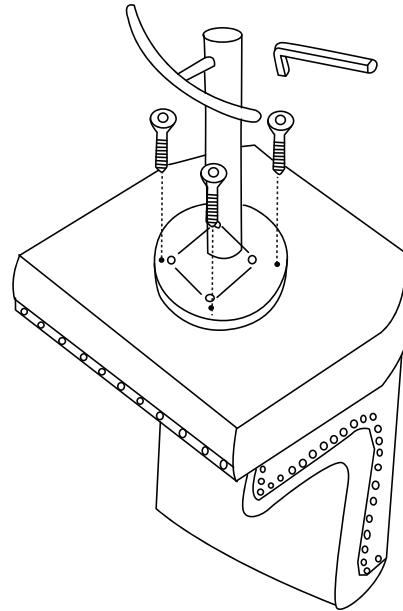


# ASSMBLY INSTRUCTIONS

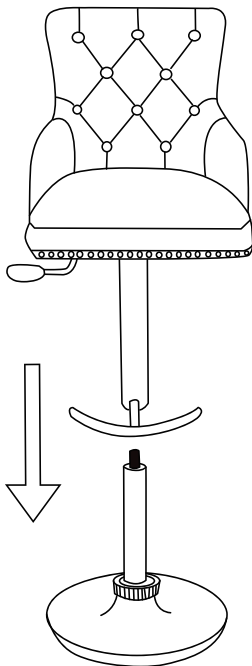
- 1** Connect cap, gas lift, ornament circle into round base.



- 2** Use allen key to fix screws into chair base with footrest.



- 3** insert upper chair into chair base and make sure they are secured in position.



- 4** Completed.

